

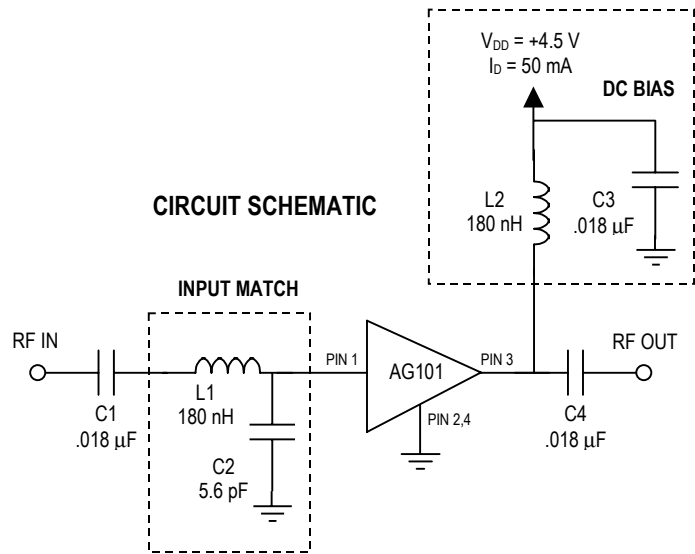


# AG101 60-100 MHz Application Circuit

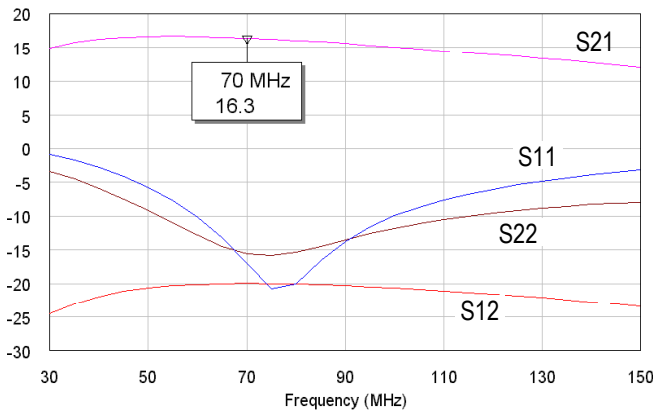
### Summary:

The AG101 is listed on the datasheet as having a frequency bandwidth from 250 – 3000 MHz as a gain block. With a simple L-C input matching network, the device can be optimized to work at frequencies as low as 60 MHz to be used as an IF amplifier gain block. The circuit shown has been optimized for 70 MHz, but can be used between 60-100 MHz. The inductors that were used as an RF choke and for the input match are of type: Toko LL1608-FSR18J.

Frequency	70 MHz
S21 - Gain	16.3 dB
S11 - Input R. L.	-17.1 dB
S22 - Output R. L.	-15.6 dB
S12 - Isolation	-20.0 dB
Noise Figure	5.1 dB
Bias Supply	4.5 V @ 50 mA



S-Parameters



Noise Figure

