

Battery Cross Reference

When selecting a replacement battery for your HP product, you may notice that your manual will list only an HP part number, even though it appears that this part is actually a standard battery. Service personnel often ask why only HP part numbers are used.

It is a form of quality control. By listing only HP part numbers we are recommending that HP replacement parts be used to ensure that original

performance of the product be retained. While some batteries used in HP instruments are identical to those that can be purchased at a local electronics distributor, many batteries are either specially manufactured to HP specifications, not available over the counter, or mechanically altered to fit certain HP applications.

However, there may be situations when you have a dead battery and

therefore a dead instrument, and HP replacement parts are either not in stock or will take a few days to obtain. In these cases it may be worthwhile to see if a substitute battery will work in the circuit. Perhaps an HP battery could be ordered and installed at some later date.

To help you in these situations, here's a list of batteries, their HP part numbers, and the manufacturer's name and part number.

List of Battery Manufacturers

Number	Manufacturer	Number	Manufacturer
00029	Deac	05139	MacLeod & Handpol Inc.
01394	Gates Energy Products	05296	RCA Corp. Electronic Comp.
01420	Burgess Inc.	05452	Globe Battery Div. Globe-Union Inc.
01447	Gould Inc.	05469	Duracell International Inc.
01921	RCA Corp. Solid State Div.	05980	Aglo La Pile S A R L
02000	Muirhead Inst. Inc.	05987	Saft
02369	Gulton Battery Corp.	06195	Varta Battery AG
02413	Clevite Corp. Burgess Batt. Div.	06450	Yuasa Denki KK
02967	General Electric	06508	Japan Storage Battery Co.
03113	Eppley Lab Inc.	07230	Sonnenschein GMBH
03551	Castall Inc.	07245	Panasonic
03602	Sonotone GSD Marathon Battery	07371	Sanyo Electric Inc.
03941	Honeywell Inc.	08709	Panasonic
04135	Universal Products Inc.	08781	Catalyst Research Corp.
04304	Union Carbide Corp.	08891	Power Conversion Inc.
04781	Ray-O-Vac Div. ESB Inc.	09593	Electrochem Industries Inc.
04910	Union Supply Co.	09839	Plainview Electronics Corp.

HP P/N	MFR NUMBER ① ②	MFR P/N
1420-0001	01420	H5308
1420-0001	04304	H762S
1420-0001	04781	H709
1420-0002	01420	HZ30MX
1420-0002	04304	1W-350
1420-0002	04781	H711
1420-0003	01420	H210
1420-0003	04304	H1150
1420-0003	05469	1W-13X
1420-0004	01420	HMG-3R
1420-0004	05469	HRM-3R
1420-0005	05469	HTR-233R-316469
1420-0006	05469	HTR234R
1420-0007	02369	H4-4200 20-PC20 MOD.
1420-0007	03602	HSPEC. P/N23191
1420-0008	03602	HP/M 23957
1420-0009	01447	H401108
1420-0009	02967	H418001R01761
1420-0010	05469	HTR 235R-316469
1420-0011	03602	H26042-5
1420-0012	03602	H10-20H120
1420-0014	01447	H403279
1420-0014	02967	H418004AA17
1420-0015	01447	H400703-049
1420-0015	04304	IS-8225T
1420-0016	05469	HRM12RT-2
1420-0017	05469	HTR-236R-316469
1420-0018	04304	IE-630T
1420-0018	05469	HPX-1372
1420-0019	01447	H
1420-0019	02967	H418004RE01
1420-0020	05469	HRM-12-R
1420-0021	04304	HE 233
1420-0021	05469	HTR-233
1420-0022	01420	HTM1
1420-0022	01921	HVS-317
1420-0022	04304	H731
1420-0022	05469	1R 918
1420-0023	04304	HE-9
1420-0023	05469	H2M-9
1420-0024	04304	HE-12
1420-0025	04304	HE-42M
1420-0025	05469	HRM-42R
1420-0026	01420	HM30
1420-0026	04304	HNO. 482
1420-0027	05469	HRM 401
1420-0028	05469	HTR-164
1420-0029	04304	HE 216
1420-0030	01921	HVS102
1420-0030	04304	H763
1420-0031	04304	HE146X
1420-0031	05469	HTR146X
1420-0032	05469	HTR-289

HP P/N	MFR NUMBER ① ②	MFR P/N
1420-0033	04304	HE126
1420-0033	05469	HTR126
1420-0034	04304	H504
1420-0035	01420	HY15
1420-0035	04304	H505
1420-0036	04304	H416
1420-0037	04304	H457
1420-0038	03941	H362366
1420-0038	05469	H302651
1420-0039	05469	HTR-132R
1420-0040	05469	HTR-135-R
1420-0041	05469	HRM4R
1420-0042	05469	H316295 TYPE RM1R
1420-0044	03551	H
1420-0044	05139	H
1420-0045	05139	H
1420-0047	03113	HMIM I
1420-0048	02000	HD-845-C
1420-0049	01447	HCD25
1420-0049	04304	IY5671
1420-0050	05469	HRM415
1420-0051	03113	H100A
1420-0052	05469	HRM42R
1420-0053	02369	I20R200
1420-0053	02413	IMP607W
1420-0053	02967	HPPS2677R4
1420-0053	05987	I20R200
1420-0054	01447	H7.2V/2258
1420-0054	04304	HV5637
1420-0055	04304	IY-5511
1420-0057	04304	IE302905
1420-0058	05469	I302905
1420-0058	04304	HE-91
1420-0058	04781	H815
1420-0059	01447	H402517
1420-0060	01447	H
1420-0061	05469	HPX-1
1420-0062	01447	H405017
1420-0062	02967	H418001R01861
1420-0063	04304	H509
1420-0064	00029	H1000DK2
1420-0065	04304	H935
1420-0065	04781	H1C
1420-0066	01447	H402908
1420-0067	01420	HF4P1
1420-0067	01921	HVS-009
1420-0067	04304	H744
1420-0067	05469	IM-6
1420-0068	05469	HTR-115R
1420-0069	01420	HH-114R
1420-0069	04304	IE-114
1420-0069	05469	HTR-114R
1420-0070	01420	H5540

Notes:
 ① Replacement P/N
 ② Status; H = active

Transistors and Diodes

Replacement Part Cross Reference

When selecting replacement parts for your HP products, you may notice that many manuals list only an HP part number for the part, even though it appears that this part is manufactured by one of the large semiconductor manufacturers. Service personnel often ask why only HP part numbers are listed.

It is recommended that HP replacement parts be used to ensure that original performance of the product will be retained. While some parts used in HP instruments are identical to those that can be purchased at

a local electronics distributor, many times parts will be selected for certain characteristics, such as gain, bandwidth, capacitance, etc. There may also be slight mechanical differences, such as the shaping or length of leads. In some cases special quality checks are used to ensure that high reliability parts are used at the factory and at HP field offices.

Therefore, we suggest obtaining replacement parts from HP to maintain the quality that you have paid for in your instrument. There may

be situations however where HP replacement parts are not in stock and substituting parts will allow you to return the product to service immediately. In these cases it may be worthwhile to see if a substitute part will work in the circuit. Perhaps an HP part could be ordered and installed at some later date.

To help you in these situations, here's a cross-reference of HP part numbers to JEDEC numbers for transistors and diodes.

HP P/N	JEDEC NO.								
0122-0005	-- 1N4810	1853-0059	-- 2N3791	1853-0360	-- 2N3799A	1854-0053	-- 2N2218	1854-0302	-- *2N3405
0122-0017	-- 1N4904	1853-0062	-- *2N3645	1853-0370	-- 2N5782	1854-0057	-- 2N3855A	1854-0304	-- 2N2483
0122-0025	-- 1N4811A	1853-0066	-- *2N4250	1853-0371	-- 2N6107	1854-0060	-- 2N3565	1854-0308	-- 2N3553
0122-0062	-- 1N5468A	1853-0069	-- *2N4122	1853-0372	-- *2N5195	1854-0062	-- 2N1701	1854-0311	-- 2N4240
0122-0070	-- 1N5456A	1853-0071	-- 2N3494	1853-0373	-- 2N5022	1854-0063	-- 2N3055	1854-0313	-- 2N3771
0122-0245	-- 1N5139	1853-0072	-- 2N4034	1853-0378	-- 2N5987	1854-0064	-- 2N3710	1854-0315	-- 2N3633
0122-0247	-- 1N5140	1853-0076	-- *2N4062	1853-0381	-- 2N6331	1854-0066	-- 2N2925	1854-0323	-- 2N2857
0122-0248	-- 1N5140A	1853-0077	-- *2N4249	1853-0383	-- 2N6296	1854-0067	-- 2N2102	1854-0324	-- 2N3739
0122-0249	-- 1N5141	1853-0080	-- *2N4888	1853-0391	-- 2N6051	1854-0072	-- 2N3054	1854-0325	-- 2N3478
0122-0251	-- 1N5142	1853-0081	-- *2N4258	1853-0392	-- 2N3741	1854-0076	-- 2N1973	1854-0327	-- *2N3416
0122-0253	-- 1N5143	1853-0084	-- 2N4919	1853-0396	-- *2N4899	1854-0079	-- 2N3439	1854-0345	-- 2N5179
0122-0255	-- 1N5144	1853-0086	-- *2N5087	1853-0399	-- 2N3467	1854-0087	-- *2N3417	1854-0347	-- 2N4923
0122-0256	-- 1N5144A	1853-0089	-- 2N4917	1853-0405	-- 2N4209	1854-0092	-- *2N3563	1854-0349	-- 2N4313
0122-0257	-- 1N5145	1853-0098	-- *2N5086	1853-0406	-- 2N6476	1854-0093	-- 2N3415	1854-0352	-- 2N2405
0122-0259	-- 1N5146	1853-0100	-- *2N4355	1853-0407	-- 2N5880	1854-0094	-- *2N3646	1854-0361	-- 2N4239
0122-0261	-- 1N5147	1853-0204	-- 2N4920	1853-0411	-- 2N6050	1854-0099	-- *2N3393	1854-0363	-- 2N5262
0122-0262	-- 1N5147A	1853-0205	-- 2N2907	1853-0413	-- 2N6049	1854-0201	-- *2N3991A	1854-0365	-- *2N4410
0122-0263	-- 1N5148	1853-0206	-- 2N4028	1853-0414	-- 2N6423	1854-0202	-- *2N3390	1854-0368	-- 2N5191
0122-0264	-- 1N5148A	1853-0212	-- 2N5194	1853-0418	-- 2N6317	1854-0203	-- *2N3694	1854-0370	-- 2N5294
1850-0035	-- 2N174	1853-0213	-- 2N4236	1853-0419	-- *2N4403	1854-0209	-- 2N910	1854-0371	-- *2N3391
1850-0051	-- 2N1500	1853-0221	-- 2N5416	1853-0421	-- *2N4398	1854-0210	-- 2N2222	1854-0378	-- 2N5109
1850-0099	-- 2N964	1853-0222	-- 2N4919	1853-0422	-- 2N4033	1854-0211	-- 2N2501	1854-0379	-- 2N4298
1850-0118	-- 2N2360	1853-0223	-- 2N4902	1853-0425	-- 2N5883	1854-0213	-- 2N3538	1854-0382	-- 2N4348
1850-0121	-- 2N2402	1853-0236	-- 2N5193	1853-0426	-- 2N4904	1854-0214	-- 2N1482	1854-0384	-- 2N5184
1850-0126	-- 2N2869	1853-0258	-- 2N4035	1853-0428	-- 2N5684	1854-0215	-- *2N3904	1854-0386	-- 2N5070
1850-0150	-- 2N1358	1853-0264	-- *2N5401	1853-0429	-- 2N3762	1854-0216	-- 2N3441	1854-0389	-- 2N4922
1850-0154	-- 2N5088A	1853-0268	-- 2N4905	1853-0430	-- 2N4959	1854-0217	-- 2N3442	1854-0392	-- *2N5088
1850-0194	-- 2N1523	1853-0269	-- 2N3809	1853-0437	-- 2N6520	1854-0218	-- 2N3393	1854-0397	-- 2N4996
1850-0406	-- 2N1760	1853-0271	-- 2N4403	1853-0439	-- 2N6248	1854-0219	-- 2N3663	1854-0398	-- 2N5301
1851-0017	-- 2N1304	1853-0277	-- 2N5954	1853-0442	-- 2N3867	1854-0220	-- 2N3959	1854-0399	-- 2N4912
1853-0005	-- 2N941	1853-0280	-- 2N5195	1853-0451	-- 2N3799	1854-0226	-- 2N4384	1854-0409	-- 2N5210
1853-0006	-- 2N3134	1853-0281	-- 2N2907A	1853-0452	-- 2N6594	1854-0231	-- *2N3688	1854-0411	-- 2N2972
1853-0007	-- 2N3251	1853-0282	-- 2N2905	1853-0457	-- *2N5400	1854-0233	-- 2N3866	1854-0416	-- 2N3426
1853-0008	-- 2N3250	1853-0283	-- 2N3502	1853-0461	-- 2N6318	1854-0234	-- 2N3440	1854-0431	-- 2N5179
1853-0012	-- 2N2904A	1853-0285	-- *2N3638	1853-0462	-- 2N3635	1854-0235	-- 2N1484	1854-0432	-- 2N3646
1853-0013	-- 2N2904	1853-0287	-- 2N3250	1853-0465	-- 2N4260	1854-0238	-- 2N3933	1854-0453	-- 2N5192
1853-0014	-- 2N3304	1853-0292	-- *2N3905	1853-0469	-- 2N6109	1854-0242	-- 2N3262	1854-0459	-- 2N2270
1853-0015	-- *2N3640	1853-0293	-- 2N5583	1853-0470	-- 2N2907A	1854-0246	-- *2N3643	1854-0461	-- 2N4238
1853-0016	-- *2N3638	1853-0303	-- 2N5956	1854-0004	-- 2N743	1854-0248	-- 2N4044	1854-0466	-- 2N3569
1853-0019	-- 2N1131	1853-0305	-- 2N5875	1854-0005	-- 2N708	1854-0252	-- 2N3713	1854-0467	-- 2N4401
1853-0022	-- 2N941	1853-0310	-- 2N4398	1854-0009	-- *2N709	1854-0255	-- *2N3642	1854-0468	-- 2N4924
1853-0023	-- *2N3703	1853-0311	-- 2N3792	1854-0010	-- 2N834	1854-0259	-- 2N3766	1854-0474	-- *2N5551
1853-0024	-- 2N4234	1853-0314	-- 2N2905A	1854-0011	-- 2N835	1854-0260	-- 2N3227	1854-0476	-- 2N3879
1853-0028	-- 2N3634	1853-0320	-- 2N4032	1854-0013	-- 2N2218A	1854-0263	-- 2N3019	1854-0477	-- 2N2222A
1853-0029	-- *2N5447	1853-0322	-- 2N2946A	1854-0021	-- 2N918	1854-0264	-- 2N3715	1854-0478	-- 2N4046
1853-0031	-- 2N3789	1853-0323	-- 2N4900	1854-0027	-- *2N2714	1854-0267	-- 2N3013	1854-0480	-- 2N5068
1853-0036	-- *2N3906	1853-0327	-- 2N2944A	1854-0029	-- 2N2712	1854-0270	-- *2N4265	1854-0481	-- 2N4237
1853-0039	-- *2N3638A	1853-0328	-- 2N6211	1854-0032	-- 2N2221	1854-0278	-- 2N3702	1854-0497	-- 2N930
1853-0045	-- *2N4038	1853-0340	-- 2N5884	1854-0033	-- 2N3391	1854-0281	-- 2N2194	1854-0518	-- 2N5877
1853-0051	-- 2N4037	1853-0342	-- *2N5956	1854-0036	-- 2N2958	1854-0282	-- 2N5883	1854-0519	-- 2N3772
1853-0052	-- 2N3740	1853-0344	-- 2N5875	1854-0039	-- 2N3053S	1854-0286	-- 2N5217	1854-0534	-- 2N5838
1853-0057	-- 3N91	1853-0349	-- 2N5333	1854-0048	-- 2N2857	1854-0287	-- 2N915	1854-0547	-- 2N3725
1853-0058	-- *2N3644	1853-0351	-- 2N6053	1854-0050	-- 2N916	1854-0301	-- 2N3261	1854-0548	-- 2N5963

*=ELECTRICALLY EQUIVALENT TO JEDEC NO.

JFDC NO.	HP P/N	2N4923	-- 1854-0347	2N519A	-- 1855-0301	2N5875	-- 1853-0305	2N6254	-- 1854-0755
		2N4924	-- 1854-0468	2N5210	-- 1854-0409	2N5876	-- 1853-0344	2N6258	-- 1854-0576
		2N4959	-- 1853-0430	2N5217	-- 1854-0286	2N5877	-- 1854-0518	2N6259	-- 1854-0577
		2N4900	-- 1884-0091	2N5301	-- 1854-0398	2N5878	-- 1854-0743	2N6261	-- 1854-0738
2N4352	-- 1855-0309	2N4996	-- 1854-0397	2N5303	-- 1853-0349	2N5880	-- 1853-0407	2N6282	-- 1854-0671
*2N4355	-- 1853-0100	2N5027	-- 1853-0373	2N5396	-- 1855-0283	2N5883	-- 1853-0425	2N6292	-- 1854-0765
2N4384	-- 1854-0226	2N5039	-- 1854-0762	*2N5400	-- 1853-0457	2N5884	-- 1853-0340	2N6294	-- 1854-0698
2N4391	-- 1855-0420	2N5060	-- 1884-0074	*2N5401	-- 1853-0264	2N5885	-- 1854-0679	2N6296	-- 1853-0383
2N4392	-- 1855-0386	*2N5061	-- 1884-0201	2N5416	-- 1853-0221	2N5886	-- 1854-0697	2N6300	-- 1854-0648
2N4393	-- 1855-0414	2N5062	-- 1884-0232	2N5427	-- 1854-0596	2N5886	-- 1854-0742	2N6305	-- 1854-0785
2N4398	-- 1853-0310	2N5067	-- 1854-0695	2N5427	-- 1854-0758	*2N5886	-- 1854-0732	2N6306	-- 1854-0623
*2N4398	-- 1853-0421	2N5068	-- 1854-0480	2N5428	-- 1854-0766	2N5905	-- 1855-0400	2N6306	-- 1854-0767
2N4401	-- 1854-0467	2N5070	-- 1854-0386	2N5429	-- 1854-0586	*2N5912	-- 1855-0213	2N6308	-- 1854-0624
*2N4401	-- 1854-0832	*2N5086	-- 1853-0098	2N5432	-- 1855-0292	2N5943	-- 1854-0597	2N6315	-- 1854-0756
2N4403	-- 1853-0271	*2N5087	-- 1853-0086	2N5444	-- 1884-0255	2N5949	-- 1855-0258	2N6317	-- 1853-0418
*2N4403	-- 1853-0419	*2N5088	-- 1854-0392	*2N5447	-- 1853-0029	2N5954	-- 1853-0277	2N6318	-- 1853-0461
*2N4410	-- 1854-0365	2N5089	-- 1854-0731	2N5460	-- 1855-0226	2N5956	-- 1853-0303	2N6331	-- 1853-0381
2N4416	-- 1855-0327	2N5105	-- 1855-0322	2N5462	-- 1855-0363	2N6050	-- 1853-0411	2N6338	-- 1854-0741
2N4416A	-- 1855-0276	2N5109	-- 1854-0378	2N5474	-- 1855-0379	2N6051	-- 1853-0391	2N6339	-- 1854-0746
2N4441	-- 1884-0082	2N5114	-- 1855-0421	2N5476	-- 1855-0290	2N6053	-- 1853-0351	2N6354	-- 1854-0715
2N4443	-- 1884-0066	2N5115	-- 1855-0402	2N5519	-- 1855-0398	2N6055	-- 1854-0611	2N6398	-- 1884-0249
2N4444	-- 1884-0245	2N5116	-- 1855-0278	*2N5551	-- 1854-0474	2N6056	-- 1854-0774	2N6400	-- 1884-0266
2N4452	-- 1855-0204	2N5171	-- 1884-0211	2N5556	-- 1855-0288	2N6057	-- 1854-0669	2N6423	-- 1853-0414
2N4900	-- 1853-0323	2N5179	-- 1854-0345	2N5565	-- 1855-0232	2N6071B	-- 1884-0238	2N6429A	-- 1854-0831
2N4902	-- 1853-0223	2N5179	-- 1854-0431	2N5569	-- 1884-0270	2N6073	-- 1884-0282	2N6474	-- 1854-0727
2N4904	-- 1853-0426	2N5184	-- 1854-0384	2N5573	-- 1884-0202	2N6078	-- 1854-0599	2N6476	-- 1853-0406
2N4905	-- 1853-0268	2N5189	-- 1854-0570	2N5575	-- 1854-0709	2N6107	-- 1853-0371	*2N6477	-- 1854-0737
2N4912	-- 1854-0399	2N5191	-- 1854-0368	2N5578	-- 1854-0708	2N6109	-- 1853-0469	2N6505	-- 1884-0281
2N4917	-- 1853-0089	2N5192	-- 1854-0453	2N5583	-- 1853-0293	2N6156	-- 1884-0236	3N128	-- 1855-0306
2N4918	-- 1853-0084	*2N5192	-- 1854-0554	2N5583	-- 1853-0293	*2N6162	-- 1884-0237	3N138	-- 1855-0332
2N4919	-- 1853-0222	2N5193	-- 1853-0236	2N5671	-- 1854-0793	2N6168	-- 1884-0251	3N145	-- 1855-0357
2N4920	-- 1853-0204	2N5194	-- 1853-0212	2N5684	-- 1853-0428	2N6211	-- 1853-0328	3N153	-- 1855-0307
*2N4921	-- 1854-0599	2N5195	-- 1853-0280	2N5782	-- 1853-0370	2N6236	-- 1884-0265	3N180	-- 1855-0279
2N4922	-- 1854-0389	*2N5195	-- 1853-0372	2N5838	-- 1854-0534	2N6248	-- 1853-0439	3N214	-- 1855-0250

Replacement FET's

Attention 5363A Owners

Original equipment 5363A Probe FET's (HP part no. 1858-0042) are becoming increasingly hard to purchase and now have an indefinite delivery time.

In the event your instrument requires a replacement FET, please order HP part no. 1858-0068.

CAUTION

This new FET is subject to the same static hazards as the old FET.

Some minor changes in equipment specifications occur due to this part change.

Trigger Level Accuracy (A&B)

$\pm 8 \text{ mV} \pm 0.4 \text{ mV}/^\circ\text{C} \pm 0.25\%$ of trigger point. (Old: $\pm 8 \text{ mV} \pm 0.4 \text{ mV}/^\circ\text{C} \pm 0.15\%$ of trigger point.)

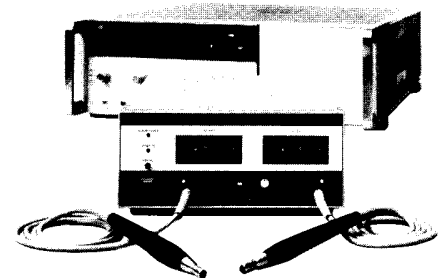
Differential Trigger Level Accuracy (A&B)

With both thumbwheels set to same value, actual trigger points will be within $\pm 3 \text{ mV} \pm 0.5\%$ of trigger point setting (old: $\pm 3 \text{ mV} \pm 0.3\%$).

Dynamic Range

Trigger levels can be set from -9.00 V to $+9.99 \text{ V}$ in 10 mV steps (old: -9.99 V to $+9.99 \text{ V}$).

As a permanent update for your 5363A manual, please order service note 5363A-3. It contains all the new specifications.



Replacement Part Cross Reference

When selecting replacement parts for your HP products, you may notice that many manuals list only an HP part number for the part, even though it appears that this part is manufactured by one of the large semiconductor manufacturers. Service personnel often ask why only HP part numbers are listed.

It is recommended that HP replacement parts be used to ensure that original performance of the product will be retained. While some parts used in HP instruments are identical to those that can be purchased at

a local electronics distributor, many times parts will be selected for certain characteristics, such as gain, bandwidth, capacitance, etc. There may also be slight mechanical differences, such as the shaping or length of leads. In some cases special quality checks are used to ensure that high reliability parts are used at the factory and at HP field offices.

Therefore, we suggest obtaining replacement parts from HP to maintain the quality that you have paid for in your instrument. There may

be situations however where HP replacement parts are not in stock and substituting parts will allow you to return the product to service immediately. In these cases it may be worthwhile to see if a substitute part will work in the circuit. Perhaps an HP part could be ordered and installed at some later date.

To help you in these situations, here's a cross-reference of HP part numbers to JEDEC numbers for transistors and diodes.

HP P/N	JEDEC NO.								
0122-0005	-- 1N4810	1853-0039	-- *2N3638A	1853-0342	-- *2N5956	1854-0021	-- 2N918	1854-0270	-- *2N4265
0122-0017	-- 1N4804	1853-0051	-- 2N4037	1853-0344	-- 2N5876	1854-0026	-- 2N335	1854-0278	-- 2N3302
0122-0025	-- 1N4811A	1853-0052	-- 2N3740	1853-0349	-- 2N5333	1854-0027	-- *2N2714	1854-0281	-- 2N2194
0122-0062	-- 1N5468A	1853-0057	-- 3N91	1853-0351	-- 2N6053	1854-0029	-- 2N2712	1854-0282	-- 2N3583
0122-0070	-- 1N5456A	1853-0058	-- *2N3644	1853-0360	-- 2N3799A	1854-0032	-- 2N2221	1854-0286	-- 2N5217
0122-0245	-- 1N5139	1853-0059	-- 2N3791	1853-0370	-- 2N5782	1854-0033	-- 2N3391	1854-0301	-- 2N3261
0122-0247	-- 1N5140	1853-0062	-- *2N3645	1853-0371	-- 2N6107	1854-0036	-- 2N2958	1854-0302	-- *2N3405
0122-0248	-- 1N5140A	1853-0066	-- *2N4250	1853-0372	-- *2N5195	1854-0039	-- 2N3053S	1854-0304	-- 2N2483
0122-0249	-- 1N5141	1853-0069	-- *2N4122	1853-0378	-- 2N5987	1854-0048	-- 2N2857	1854-0308	-- 2N3553
0122-0251	-- 1N5142	1853-0071	-- 2N3494	1853-0381	-- 2N6331	1854-0050	-- 2N916	1854-0311	-- 2N4240
0122-0253	-- 1N5143	1853-0072	-- 2N4034	1853-0383	-- 2N6296	1854-0053	-- 2N2218	1854-0313	-- 2N3771
0122-0255	-- 1N5144	1853-0076	-- *2N4062	1853-0391	-- 2N6051	1854-0057	-- 2N3855A	1854-0315	-- 2N3633
0122-0256	-- 1N5144A	1853-0077	-- *2N4249	1853-0392	-- *2N3741	1854-0060	-- 2N3565	1854-0323	-- 2N2857
0122-0257	-- 1N5145	1853-0080	-- *2N4888	1853-0396	-- *2N4899	1854-0062	-- 2N1701	1854-0324	-- 2N3739
0122-0259	-- 1N5146	1853-0081	-- *2N4258	1853-0399	-- 2N3467	1854-0063	-- 2N3055	1854-0325	-- 2N3478
0122-0261	-- 1N5147	1853-0084	-- 2N4918	1853-0405	-- *2N4209	1854-0064	-- 2N3710	1854-0327	-- *2N3416
0122-0262	-- 1N5147A	1853-0086	-- *2N5087	1853-0406	-- 2N6476	1854-0066	-- 2N2925	1854-0345	-- 2N5179
0122-0263	-- 1N5148	1853-0089	-- 2N4917	1853-0407	-- 2N5880	1854-0067	-- 2N2102	1854-0347	-- 2N4923
0122-0264	-- 1N5148A	1853-0098	-- *2N5086	1853-0411	-- 2N6050	1854-0072	-- 2N3054	1854-0349	-- 2N2913
1850-0035	-- 2N174	1853-0100	-- *2N4355	1853-0413	-- 2N6049	1854-0076	-- 2N1973	1854-0352	-- 2N2405
1850-0051	-- 2N1500	1853-0204	-- 2N4920	1853-0414	-- 2N6423	1854-0079	-- 2N3439	1854-0361	-- 2N4239
1850-0064	-- 2N1183	1853-0205	-- 2N2907	1853-0418	-- 2N6317	1854-0087	-- *2N3417	1854-0365	-- *2N4410
1850-0099	-- 2N964	1853-0206	-- 2N4028	1853-0419	-- *2N4403	1854-0092	-- *2N3563	1854-0368	-- 2N5191
1850-0118	-- 2N2360	1853-0212	-- 2N5194	1853-0421	-- *2N4398	1854-0093	-- 2N3415	1854-0370	-- 2N5294
1850-0121	-- 2N2402	1853-0213	-- 2N4236	1853-0422	-- 2N4033	1854-0094	-- *2N3646	1854-0371	-- *2N3391
1850-0126	-- 2N2869	1853-0221	-- 2N5416	1853-0425	-- 2N5883	1854-0099	-- *2N3393	1854-0378	-- 2N5109
1850-0128	-- 2N3988	1853-0222	-- 2N4919	1853-0426	-- 2N4904	1854-0201	-- *2N3391A	1854-0379	-- 2N4298
1850-0137	-- 2N976	1853-0223	-- 2N4902	1853-0428	-- 2N5684	1854-0202	-- *2N3390	1854-0382	-- 2N4348
1850-0150	-- 2N1358	1853-0236	-- 2N5193	1853-0429	-- 2N3762	1854-0203	-- *2N3694	1854-0384	-- 2N5184
1850-0154	-- 2N508A	1853-0258	-- 2N4035	1853-0430	-- 2N4959	1854-0209	-- 2N910	1854-0386	-- 2N5070
1850-0158	-- 2N2635	1853-0264	-- *2N5401	1853-0437	-- 2N6520	1854-0210	-- 2N2222	1854-0389	-- 2N4922
1850-0172	-- 2N2996	1853-0268	-- 2N4905	1853-0439	-- 2N6248	1854-0211	-- 2N2501	1854-0392	-- *2N5088
1850-0194	-- 2N1523	1853-0269	-- 2N3809	1853-0442	-- 2N3867	1854-0213	-- 2N2538	1854-0397	-- 2N4996
1850-0406	-- 2N1760	1853-0271	-- 2N4403	1853-0451	-- 2N3799	1854-0214	-- 2N1482	1854-0398	-- 2N5301
1851-0017	-- 2N1304	1853-0277	-- 2N5954	1853-0452	-- 2N6594	1854-0215	-- *2N3904	1854-0399	-- 2N4912
1851-0022	-- 2N1672	1853-0280	-- 2N5195	1853-0457	-- *2N5400	1854-0216	-- 2N3441	1854-0409	-- 2N5210
1851-0024	-- 2N388A	1853-0281	-- 2N7907A	1853-0461	-- 2N6318	1854-0217	-- 2N3442	1854-0411	-- 2N2972
1853-0005	-- 2N941	1853-0282	-- 2N2905	1853-0462	-- 2N3635	1854-0219	-- 2N3663	1854-0431	-- 2N5179
1853-0006	-- 2N3134	1853-0283	-- 2N3502	1853-0465	-- 2N4260	1854-0220	-- 2N3959	1854-0432	-- 2N3646
1853-0007	-- 2N3251	1853-0285	-- *2N3638	1853-0469	-- 2N6109	1854-0226	-- 2N4384	1854-0453	-- 2N5192
1853-0008	-- 2N3250	1853-0287	-- 2N3250	1853-0470	-- *2N2907A	1854-0233	-- 2N3866	1854-0459	-- 2N2270
1853-0012	-- 2N2904A	1853-0292	-- *2N3905	1853-0478	-- 2N649C	1854-0234	-- 2N3440	1854-0461	-- 2N4238
1853-0013	-- 2N2904	1853-0293	-- 2N5583	1853-0481	-- *2N3640	1854-0235	-- 2N1484	1854-0466	-- 2N3569
1853-0014	-- 2N3304	1853-0303	-- 2N5956	1853-0482	-- *2N5226	1854-0238	-- 2N3933	1854-0467	-- 2N4401
1853-0015	-- *2N3640	1853-0305	-- 2N5875	1853-0487	-- 2N6604	1854-0242	-- 2N3262	1854-0468	-- 2N4924
1853-0016	-- *2N3638	1853-0310	-- 2N4398	1853-0493	-- 2N5415	1854-0246	-- *2N3643	1854-0474	-- *2N5551
1853-0019	-- 2N1131	1853-0311	-- 2N3792	1853-0495	-- *2N5583	1854-0248	-- 2N4044	1854-0476	-- 2N3879
1853-0022	-- 2N941	1853-0314	-- 2N2905A	1853-0506	-- 2N4250	1854-0252	-- 2N3713	1854-0477	-- 2N2222A
1853-0023	-- *2N3703	1853-0320	-- 2N4032	1854-0004	-- 2N743	1854-0255	-- *2N3642	1854-0478	-- 2N4046
1853-0024	-- 2N4234	1853-0322	-- 2N2946A	1854-0005	-- 2N708	1854-0259	-- 2N3766	1854-0480	-- 2N5068
1853-0028	-- 2N3634	1853-0323	-- 2N4900	1854-0009	-- *2N709	1854-0260	-- 2N3227	1854-0481	-- 2N4237
1853-0029	-- *2N5447	1853-0327	-- 2N2944A	1854-0010	-- 2N834	1854-0263	-- 2N3019	1854-0497	-- 2N930
1853-0031	-- 2N3789	1853-0328	-- 2N6211	1854-0011	-- 2N835	1854-0264	-- 2N3715	1854-0518	-- 2N5877
1853-0036	-- *2N3906	1853-0340	-- 2N5884	1854-0013	-- 2N2218A	1854-0267	-- 2N3013	1854-0519	-- 2N3772

*=ELECTRICALLY EQUIVALENT TO JEDEC NO.

HP P/N	JEDEC NO.	1N821	--	1902-0761	1N3155	--	1902-0789	1N4811A	--	0122-0025	1N6074	--	1901-0786
		1N821	--	1902-1275	1N3156	--	1902-0790	1N4936	--	1901-1065	1N6096	--	1901-0333
		1N823	--	1902-0033	1N3208	--	1901-0421	1N4937	--	1901-0831	1N6270A	--	1902-0986
1902-1307	--	1M5276B	--	1902-0509	1N3203	--	1901-0023	1N4960	--	1902-0974	1N6303	--	1901-0919
1902-1308	--	1N4734A	--	1902-0777	1N3209H	--	1901-0346	1N5000	--	1901-0775	2N174	--	1850-0035
1902-1312	--	1N9898	--	1902-0973	1N3210	--	1901-0048	1N5002	--	1901-0492	2N335	--	1854-0026
1902-1313	--	1N2988A	--	1902-1221	1N3212	--	1901-0423	1N5002R	--	1901-0843	2N388A	--	1851-0024
1902-1320	--	1N4566	--	1902-0680	1N3260R	--	1901-0511	1N5003	--	1901-0494	2N398B	--	1850-0128
1902-1323	--	1N5857B	--	1902-0625	1N3262	--	1901-0312	1N5139	--	0122-0245	2N508A	--	1850-0154
1902-1330	--	1N750	--	1900-0019	1N3262R	--	1901-0313	1N5140	--	0122-0247	2N684	--	1884-0267
1902-1332	--	1N5851B	--	1901-0710	1N3283	--	1901-0307	1N5140A	--	0122-0248	2N685	--	1884-0015
1902-1334	--	1N5533B	--	1901-1029	1N3289R	--	1901-0308	1N5141	--	0122-0249	2N688	--	1884-0016
1902-1336	--	1N6001B	--	1901-0830	1N3290R	--	1901-0655	1N5142	--	0122-0251	2N708	--	1854-0005
1902-1338	--	1N4557A	--	1902-0772	1N3316B	--	1902-1369	1N5143	--	0122-0253	2N709	--	1854-0009
1902-1340	--	1N5355R	--	1902-0785	1N3491	--	1901-0406	1N5144	--	0122-0255	2N720A	--	1854-0750
1902-1341	--	1N974R	--	1902-1241	1N3491R	--	1901-0343	1N5144A	--	0122-0256	2N743	--	1854-0004
1902-1342	--	1N4742A	--	1902-0786	1N3492	--	1901-0424	1N5145	--	0122-0257	2N834	--	1854-0010
1902-1343	--	1N5338	--	1902-0787	1N3494	--	1901-0426	1N5146	--	0122-0259	2N835	--	1854-0011
1902-1345	--	1N5365B	--	1902-1216	1N3563	--	1901-0742	1N5147	--	0122-0261	2N910	--	1854-0209
1902-1346	--	1N5355B	--	1902-0018	1N3644	--	1901-0752	1N5147A	--	0122-0262	2N916	--	1854-0050
1902-1348	--	1N4746A	--	1902-0569	1N3662	--	1901-0431	1N5148	--	0122-0263	2N918	--	1854-0021
1902-1350	--	1N5364B	--	1902-0698	1N3712	--	1912-0009	1N5148A	--	0122-0264	2N930	--	1854-0497
1902-1351	--	1N5350R	--	1902-0791	1N3714	--	1312-0007	1N5163	--	1901-0913	2N941	--	1853-0005
1902-1353	--	1N2985R	--	1902-0792	1N3716	--	1912-0002	1N5182	--	1901-0405	2N941	--	1853-0022
1902-1354	--	1N2985RH	--	1902-0581	1N3717	--	1912-0015	1N5236B	--	1902-0630	2N964	--	1850-0099
1902-1356	--	1N4753A	--	1902-0793	1N3718	--	1912-0006	1N5237R	--	1902-1305	2N976	--	1850-0137
1902-1357	--	1N5374B	--	1902-1304	1N3719	--	1912-0017	1N5270B	--	1902-1306	2N1131	--	1853-0019
1902-1361	--	1N4756A	--	1902-1362	1N3720	--	1912-0014	1N5276B	--	1902-1307	2N1183	--	1850-0064
1902-1362	--	1N967H	--	1902-1341	1N3721	--	1912-0019	1N5283	--	1901-0758	2N1304	--	1851-0017
1902-1363	--	1N749A	--	1902-0972	1N3881	--	1901-0756	1N5284	--	1901-0846	2N1358	--	1850-0150
1902-1367	--	1N5353	--	1902-1312	1N3889	--	1901-0791	1N5297	--	1901-0869	2N1482	--	1854-0214
1902-1369	--	1N3316B	--	1910-0025	1N3889K	--	1901-0511	1N5305	--	1902-0526	2N1484	--	1854-0235
1910-0002	--	1N388	--	1901-0066	1N3889R	--	1901-0735	1N5312	--	1902-0627	2N1500	--	1850-0051
1910-0003	--	1N55A	--	1901-0315	1N3890R	--	1901-0684	1N5336B	--	1902-0996	2N1523	--	1850-0194
1910-0014	--	1N277	--	1901-0316	1N3891	--	1901-0717	1N5337A	--	1902-0923	2N1595S	--	1884-0004
1910-0023	--	1N270	--	1901-0317	1N3891R	--	1901-0774	1N5338	--	1902-1343	2N1671A	--	1855-0001
1910-0024	--	1N191	--	1901-0318	1N3893	--	1901-0890	1N5338R	--	1902-1291	2N1671B	--	1855-0021
1910-0025	--	1N995	--	1901-0319	1N3899R	--	1901-0678	1N5339B	--	1902-0940	2N1671C	--	1855-0077
1910-0031	--	1N34A	--	1901-0320	1N3958	--	1901-0478	1N5340B	--	1902-0522	2N1672	--	1851-0022
1910-0033	--	1N279	--	1901-0321	1N3993A	--	1902-0999	1N5342B	--	1902-1286	2N1701	--	1854-0062
1910-0041	--	1N2324	--	1901-0002	1N3996A	--	1902-1226	1N5345B	--	1902-0920	2N1701	--	1854-0613
1911-0001	--	1N91	--	1901-0314	1N3997RA	--	1902-1232	1N5346	--	1902-0978	2N1760	--	1850-0406
1912-0002	--	1N3716	--	1901-0309	1N3998A	--	1902-1201	1N5348B	--	1902-127R	2N1771A	--	1884-0027
1912-0006	--	1N3718	--	1902-1195	1N4000A	--	1902-1234	1N5349	--	1902-0927	2N177A	--	1884-0028
1912-0007	--	1N3714	--	1902-0039	1N4002	--	1901-0704	1N5350R	--	1902-1351	2N1846	--	1884-0051
1912-0009	--	1N3712	--	1901-1199	1N4004	--	1901-0743	1N5351B	--	1902-0631	2N1973	--	1854-0076
1912-0014	--	1N3720	--	1901-0398	1N4004	--	1901-0731	1N5352	--	1902-0977	2N2060	--	1854-0761
1912-0015	--	1N3717	--	1901-0305	1N4005	--	1901-0924	1N5353	--	1902-1367	2N2102	--	1854-0067
1912-0017	--	1N3719	--	1901-0306	1N4007	--	1901-0849	1N5354B	--	1902-0632	2N2194	--	1854-0281
1912-0019	--	1N3721	--	1902-0762	1N4007	--	1901-0732	1N5355R	--	1902-1340	2N2218	--	1854-0053
		1N2163A	--	1902-0763	1N4099	--	1902-0245	1N5355H	--	1902-1346	2N2218A	--	1854-0745
		1N2242	--	1901-0151	1N4100	--	1902-1169	1N5357B	--	1902-1259	2N2218A	--	1854-0013
		1N2326	--	1910-0041	1N4101	--	1902-1170	1N5358R	--	1902-1284	2N2219A	--	1854-0637
		1N2565	--	1901-0383	1N4103	--	1902-1172	1N5363H	--	1902-0644	2N2221	--	1854-0032
		1N2620	--	1902-0157	1N4104	--	1902-1173	1N5364B	--	1902-1350	2N2222	--	1854-0210
		1N2820A	--	1902-1298	1N4105	--	1902-0246	1N5365A	--	1902-0549	2N2222A	--	1854-0477
1N218	--	1900-0001	--	1902-1227	1N4106	--	1902-1174	1N5365B	--	1902-1345	2N2222A	--	1854-0829
1N218	--	1900-0017	--	1902-0191	1N4110	--	1902-1178	1N5366H	--	1902-1000	2N2270	--	1854-0459
1N218MR	--	1900-0010	--	1902-0909	1N4115	--	1902-1183	1N5370H	--	1902-0933	2N2322S	--	1884-0026
1N238	--	1900-0012	--	1902-1198	1N4118-1	--	1901-1101	1N5372B	--	1902-1292	2N2323	--	1884-0247
1N23C	--	1900-0018	--	1902-0902	1N4150	--	1901-1098	1N5373H	--	1902-0995	2N2360	--	1850-0118
1N26	--	1900-0007	--	1902-1203	1N4154	--	1901-1052	1N5374B	--	1902-1357	2N2369A	--	1854-0809
1N34A	--	1910-0031	--	1902-1194	1N4156	--	1901-0463	1N5380R	--	1902-0934	2N2369A	--	1854-0752
1N388	--	1910-0002	--	1902-1229	1N4530	--	1901-0370	1N5384A	--	1902-1290	2N2402	--	1850-0121
1N53	--	1900-0008	--	1902-0643	1N4531	--	1901-1015	1N5388A	--	1902-1294	2N2405	--	1854-0352
1N55A	--	1910-0003	--	1902-1205	1N4557A	--	1902-1001	1N5393	--	1901-0838	2N2432A	--	1854-0557
1N76	--	1900-0004	--	1902-1200	1N4557A	--	1902-1338	1N5401	--	1901-0907	2N2483	--	1854-0304
1N76A	--	1900-0020	--	1902-1219	1N4561A	--	1902-1297	1N5406	--	1901-0759	2N2501	--	1854-0211
1N91	--	1911-0001	--	1902-1223	1N4566	--	1902-1320	1N5456A	--	0122-0070	2N2538	--	1854-0213
1N191	--	1910-0024	--	1902-0754	1N4567	--	1902-0649	1N5468A	--	0122-0062	2N2540	--	1854-0786
1N250C	--	1901-0310	--	1902-1204	1N4577	--	1902-0991	1N55240	--	1902-0528	2N2608	--	1855-0297
1N270	--	1910-0023	--	1902-0910	1N4582	--	1902-0992	1N5525C	--	1902-1260	2N2635	--	1850-0158
1N277	--	1910-0014	--	1902-1353	1N4603	--	1900-0016	1N5533B	--	1902-1334	2N2646	--	1855-0010
1N279	--	1910-0033	--	1902-1354	1N4608	--	1901-0894	1N5553	--	1901-0750	2N2647	--	1855-0027
1N415C	--	1900-0015	--	1902-0156	1N4621	--	1902-0983	1N5554	--	1901-0751	2N2712	--	1854-0029
1N416B	--	1900-0006	--	1902-1313	1N4719	--	1901-0409	1N5616	--	1901-0862	2N2714	--	1854-0027
1N416RM	--	1900-0011	--	1902-1228	1N4720	--	1901-0410	1N5812	--	1901-0765	2N2857	--	1854-0048
1N625	--	1901-0071	--	1902-0487	1N								

JEDEC NO.	HP P/N	2N3703	-- 1853-0023	2N4250	-- 1853-0465	2N5194	-- 1853-0212	2N6049	-- 1853-0413
		2N3710	-- 1854-0064	*2N4265	-- 1854-0270	2N5195	-- 1853-0280	2N6050	-- 1853-0411
2N2944A	-- 1853-0327	2N3713	-- 1854-0252	2N4298	-- 1854-0379	*2N5195	-- 1853-0372	2N6051	-- 1853-0391
2N2946A	-- 1853-0322	2N3715	-- 1854-0264	2N4338	-- 1855-0341	2N5198	-- 1855-0301	2N6053	-- 1853-0351
2N2958	-- 1854-0036	2N3725	-- 1854-0547	*2N4342	-- 1855-0056	2N5210	-- 1854-0409	2N6054	-- 1854-0893
2N2972	-- 1854-0411	2N3725A	-- 1854-0687	*2N4342	-- 1855-0264	2N5217	-- 1854-0286	2N6055	-- 1854-0611
2N2996	-- 1850-0172	2N3739	-- 1854-0324	2N4348	-- 1854-0382	*2N5225	-- 1854-0857	2N6056	-- 1854-0774
2N3013	-- 1854-0267	2N3740	-- 1853-0052	2N4351	-- 1855-0380	*2N5226	-- 1853-0482	2N6057	-- 1854-0669
2N3014	-- 1854-0842	2N3741	-- 1853-0392	2N4352	-- 1855-0309	2N5246	-- 1855-0285	2N6058	-- 1854-0888
2N3019	-- 1854-0263	2N3762	-- 1853-0429	*2N4355	-- 1853-0100	2N5247	-- 1855-0257	2N6071B	-- 1884-023P
2N3053	-- 1854-0667	2N3766	-- 1854-0259	2N4384	-- 1854-0226	2N5268	-- 1855-0277	2N6073	-- 1884-0282
*2N3053	-- 1854-0703	2N3771	-- 1854-0313	2N4391	-- 1855-0420	2N5294	-- 1854-0370	2N6078	-- 1854-0599
2N3053S	-- 1854-0039	2N3772	-- 1854-0519	2N4392	-- 1855-0386	2N5301	-- 1854-0398	2N6107	-- 1853-0371
2N3054	-- 1854-0072	2N3773	-- 1854-0733	2N4393	-- 1855-0414	2N5333	-- 1853-0349	2N6109	-- 1853-0469
2N3054	-- 1854-0590	2N3789	-- 1853-0031	2N4398	-- 1853-0310	2N5396	-- 1855-0283	2N6156	-- 1884-0236
2N3055	-- 1854-0063	2N3791	-- 1853-0059	*2N4398	-- 1853-0421	*2N5400	-- 1853-0457	*2N6162	-- 1884-0237
2N3134	-- 1853-0006	2N3792	-- 1853-0311	2N4401	-- 1854-0467	*2N5401	-- 1853-0264	2N6168	-- 1884-0251
2N3227	-- 1854-0260	2N3799	-- 1853-0451	*2N4401	-- 1854-0832	2N5415	-- 1853-0493	2N6211	-- 1853-0328
2N3250	-- 1853-0008	2N3799A	-- 1853-0360	*2N4403	-- 1853-0271	2N5416	-- 1853-0221	2N6236	-- 1884-0265
2N3250	-- 1853-0287	2N3809	-- 1853-0269	*2N4403	-- 1853-0419	2N5427	-- 1854-0596	2N6240	-- 1884-0288
2N3251	-- 1853-0007	2N3819	-- 1855-0040	*2N4410	-- 1854-0365	2N5427	-- 1854-0758	2N6248	-- 1853-0439
2N3261	-- 1854-0301	2N3824	-- 1855-0224	2N4416	-- 1853-0327	2N5428	-- 1854-0766	2N6254	-- 1854-0755
2N3262	-- 1854-0242	2N3855A	-- 1854-0057	2N4416A	-- 1855-0276	2N5429	-- 1854-0586	2N6258	-- 1854-0576
2N3302	-- 1854-027R	2N3866	-- 1854-0233	2N4428	-- 1854-0851	2N5432	-- 1855-0292	2N6259	-- 1854-0577
2N3304	-- 1853-0014	2N3866A	-- 1854-0784	2N4441	-- 1884-0082	2N5434	-- 1855-0449	2N6261	-- 1854-0738
2N3330	-- 1855-0393	2N3867	-- 1853-0442	2N4443	-- 1884-0066	2N5444	-- 1884-0255	2N6282	-- 1854-0671
2N3382	-- 1855-0390	2N3879	-- 1854-0476	2N4444	-- 1884-0245	2N5445	-- 1884-0080	2N6289	-- 1854-0837
*2N3390	-- 1854-0202	2N3899	-- 1884-0219	2N4852	-- 1855-0204	2N5446	-- 1884-0284	2N6290	-- 1854-0881
2N3391	-- 1854-0033	2N3904	-- 1854-0901	2N4853	-- 1855-0099	*2N5447	-- 1853-0029	2N6292	-- 1854-0765
*2N3391	-- 1854-0371	*2N3904	-- 1854-0215	2N4856	-- 1855-0389	*2N5458	-- 1855-0450	2N6294	-- 1854-0698
*2N3391A	-- 1854-0201	*2N3904	-- 1854-0651	2N4857	-- 1855-0244	2N5460	-- 1855-0226	2N6296	-- 1853-0383
*2N3393	-- 1854-0099	*2N3904	-- 1854-0883	*2N4888	-- 1853-0080	*2N5462	-- 1855-0363	2N6300	-- 1854-0648
*2N3405	-- 1954-0302	*2N3905	-- 1853-0292	2N4891	-- 1855-0065	2N5476	-- 1855-0290	2N6305	-- 1854-0785
2N3415	-- 1854-0093	*2N3906	-- 1853-0036	*2N4899	-- 1853-0396	2N5519	-- 1855-0398	2N6306	-- 1854-0623
*2N3416	-- 1854-0327	2N3922	-- 1855-0038	2N4900	-- 1853-0323	*2N5551	-- 1854-0474	2N6306	-- 1854-0767
*2N3417	-- 1854-0087	2N3933	-- 1854-0238	2N4902	-- 1853-0223	2N5556	-- 1855-0288	2N6308	-- 1854-0624
2N3436	-- 1955-0005	2N3955	-- 1855-0207	2N4904	-- 1853-0426	2N5565	-- 1855-0232	2N6315	-- 1854-0756
2N3439	-- 1854-0079	*2N3958	-- 1855-0247	2N4905	-- 1853-0268	2N5569	-- 1884-0270	2N6317	-- 1853-0418
2N3440	-- 1854-0234	2N3959	-- 1854-0220	2N4912	-- 1854-0399	2N5573	-- 1884-0202	2N6318	-- 1853-0461
2N3441	-- 1854-0216	2N3966	-- 1855-0286	2N4917	-- 1853-0089	2N5575	-- 1854-0709	2N6331	-- 1853-0381
2N3442	-- 1854-0217	2N3993	-- 1855-0387	2N4918	-- 1853-0084	2N5578	-- 1854-0708	2N6338	-- 1854-0741
2N3467	-- 1853-0399	2N4028	-- 1853-0206	2N4919	-- 1853-0222	2N5583	-- 1853-0293	2N6339	-- 1854-0746
2N3478	-- 1854-0325	2N4032	-- 1853-0320	2N4920	-- 1853-0204	*2N5583	-- 1853-0495	2N6354	-- 1854-0715
2N3494	-- 1853-0071	2N4033	-- 1853-0422	*2N4921	-- 1854-0699	*2N5639	-- 1855-0451	2N6398	-- 1884-0249
2N3501S	-- 1854-0813	2N4034	-- 1853-0072	2N4922	-- 1854-0389	2N5671	-- 1854-0793	2N6400	-- 1884-0266
2N3502	-- 1853-0283	2N4035	-- 1853-0258	2N4923	-- 1854-0347	2N5684	-- 1853-0428	2N6423	-- 1853-0414
2N3528	-- 1884-0012	2N4037	-- 1853-0051	2N4924	-- 1854-0468	2N5782	-- 1853-0370	2N6429A	-- 1854-0831
2N3553	-- 1854-0308	2N4044	-- 1854-0248	2N4959	-- 1853-0430	2N5838	-- 1854-0534	2N6474	-- 1854-0727
*2N3563	-- 1854-0092	2N4046	-- 1854-0478	2N4990	-- 1884-0091	2N5840	-- 1854-0751	2N6476	-- 1853-0406
2N3565	-- 1854-0060	*2N4062	-- 1853-0076	2N4996	-- 1854-0397	2N5875	-- 1853-0305	*2N6477	-- 1854-0737
2N3569	-- 1854-0466	2N4092	-- 1855-0371	2N5039	-- 1854-0762	2N5876	-- 1853-0344	2N6488	-- 1854-0884
2N3583	-- 1854-0282	2N4101	-- 1884-0273	2N5060	-- 1884-0074	2N5877	-- 1854-0518	2N6490	-- 1853-0478
2N3585	-- 1854-0643	2N4117	-- 1855-0208	*2N5061	-- 1884-0201	2N5878	-- 1854-0743	2N6497	-- 1854-0839
2N3631	-- 1855-0291	2N4117A	-- 1855-0305	2N5062	-- 1884-0232	*2N5878	-- 1854-0846	2N6499	-- 1854-0889
2N3633	-- 1854-0315	2N4119	-- 1855-0229	2N5067	-- 1854-0695	2N5880	-- 1853-0407	2N6504	-- 1884-0297
2N3634	-- 1853-0028	2N4119	-- 1855-0245	2N5068	-- 1854-0480	2N5883	-- 1853-0425	2N6505	-- 1884-0281
2N3635	-- 1853-0462	*2N4119	-- 1855-0240	2N5070	-- 1854-0386	2N5884	-- 1853-0340	2N6508	-- 1884-0268
*2N3638	-- 1853-0016	*2N4122	-- 1853-0069	*2N5086	-- 1853-0098	2N5885	-- 1854-0679	2N6520	-- 1853-0437
*2N3638	-- 1853-0285	2N4170	-- 1884-0010	*2N5087	-- 1853-0086	2N5886	-- 1854-0697	2N6545	-- 1854-0787
*2N3638A	-- 1853-0039	2N4172	-- 1884-0022	*2N5088	-- 1854-0392	2N5886	-- 1854-0742	2N6584	-- 1854-0848
*2N3640	-- 1853-0015	2N4186	-- 1884-0018	2N5089	-- 1854-0731	*2N5886	-- 1854-0732	2N6594	-- 1853-0452
*2N3640	-- 1853-0481	2N4188	-- 1884-0071	2N5105	-- 1855-0322	2N5905	-- 1855-0400	2N6609	-- 1853-0487
*2N3642	-- 1854-0255	*2N4209	-- 1853-0405	2N5109	-- 1854-0378	*2N5912	-- 1855-0213	2N6658	-- 1855-0293
*2N3643	-- 1854-0246	2N4233A	-- 1854-0600	2N5114	-- 1855-0421	2N5943	-- 1854-0597	2N6673	-- 1854-0871
*2N3644	-- 1853-0058	2N4234	-- 1853-0024	2N5115	-- 1855-0402	*2N5943	-- 1854-0876	2N6678	-- 1854-0896
*2N3645	-- 1853-0062	2N4236	-- 1853-0213	2N5116	-- 1855-0278	2N5949	-- 1855-0258	3N81	-- 1884-0070
2N3646	-- 1854-0432	2N4237	-- 1854-0481	2N5171	-- 1884-0211	2N5954	-- 1853-0277	3N83	-- 1884-0021
*2N3646	-- 1854-0094	2N4237	-- 1854-0556	2N5179	-- 1854-0345	2N5956	-- 1853-0303	3N91	-- 1853-0057
*2N3658	-- 1884-0254	2N4238	-- 1854-0461	2N5179	-- 1854-0431	*2N5956	-- 1853-0342	3N128	-- 1855-0306
2N3663	-- 1854-0219	2N4239	-- 1854-0361	2N5184	-- 1854-0384	2N5962	-- 1854-0714	3N138	-- 1855-0332
2N3669	-- 1884-0019	2N4240	-- 1854-0311	2N5189	-- 1854-0570	2N5963	-- 1854-0548	3N142	-- 1855-0357
2N3670	-- 1884-0065	*2N4249	-- 1853-0077	2N5191	-- 1854-0368	2N5987	-- 1853-0378	3N153	-- 1855-0307
2N3670	-- 1884-0501	2N4250	-- 1853-0506	2N5192	-- 1854-0453	2N6027	-- 1855-0314	3N163	-- 1855-0432
2N3685	-- 1855-0430	*2N4250	-- 1853-0066	*2N5192	-- 1854-0654	2N6028	-- 1855-0344	3N180	-- 1855-0279
*2N3694	-- 1854-0203	*2N4258	-- 1853-0081	2N5193	-- 1853-0236	2N6033	-- 1854-0834	3N215	-- 1855-0250

*=ELECTRICALLY EQUIVALENT TO JEDEC NO.

Replacement Part Cross Reference

When selecting replacement parts for your HP products, you may notice that many manuals list only an HP part number for the part, even though it appears that this part is manufactured by one of the large semiconductor manufacturers. Service personnel often ask why only HP part numbers are listed.

It is recommended that HP replacement parts be used to ensure that original performance of the product will be retained. While some parts used in HP instruments are identical to those that

can be purchased at a local electronics distributor, many times parts will be selected for certain characteristics, such as gain, bandwidth, capacitance, etc. There may also be slight mechanical differences, such as the shaping or length of leads. In some cases special quality checks are used to ensure that high reliability parts are used at the factory and at HP field offices.

Therefore, we suggest obtaining replacement parts from HP to maintain the quality that you have paid for in your instrument. There may be situa-

tions however where HP replacement parts are not in stock and substituting parts will allow you to return the product to service immediately. In these cases it may be worthwhile to see if a substitute part will work in the circuit. Perhaps an HP part could be ordered and installed at some later date.

To help you in these situations, here's a cross-reference of HP part numbers to JEDEC numbers for transistors and diodes.

Manufacturers Code Number Cross Reference

Number	Manufacturer
00039	Nippon Electric Co.
00046	Unitrode Corp.
00746	ROHM Corporation
01250	GTE Sylvania Elek Components Group
01590	Plessey Semiconductors
01691	TRW Inc. Semiconductor Div.
01698	Texas Instr. Inc. Semicond. Compnt. Div.
01921	RCA Corp., Solid State Div.
01973	GE Co., Semiconductor Prod. Dept.
01979	Lansdale Transistor & Elek Inc.
01991	Transitron Electronic Corp.
02037	Motorola Semiconductor Products
02062	HP Div. 05 Microwave Semiconductor
02086	Westinghouse Elec. Corp. Semicon. Dept.
02158	Edal Industries Inc.
02237	Fairchild Semiconductor Div.
02526	Semicon. Inc.
02569	Crystalonics Div., Teledyne
02619	Solitron Devices Inc. (Diodes)
02634	Sprague Elect. Co., Semiconductor Div.
02664	Semtech. Corp.
02682	ITT Semiconductors Div. or ITT Corp.
02688	Microsemi Corporation
02713	General Instr. Corp., Semicon. Prod. GP
02803	Codi Semiconductor

Number	Manufacturer
02865	Alpha Industries Inc.
02883	Siliconix
02910	Signetics Corp.
02919	MSI Electronics Ind.
03038	International Rectifier Semicon Div.
03172	TRW Microwave
03191	Solitron Devices Inc. (FETS, Diodes)
03285	Analog Devices Inc.
03287	General Semiconductor Industries
03334	Amperex Elec. Corp., Semicon. & MC Div.
03406	National Semiconductor Corp.
03447	Hughes Aircraft Co. Newp. Beach Div.
03571	Lansdale XSTR Elek Co. Advance Line
03627	Solid State Devices Inc.
03714	Intersil Inc.
03776	Kertron Inc.
03793	Silicon General Inc.
03811	Intel Corp.
04161	KSW Electronics Inc.
04200	Sprague Electronic Co.
04583	Bradley Semiconductor Corp.
05088	Varo Semiconductor Inc.
05131	Electronic Devices Inc.
05176	TRW Capacitor Div.
05644	Philco-Ford Corp. Sierra Elek Opn

Number	Manufacturer
05695	Microwave Associates Inc.
05840	Delco Elek Div. of Genl. Motors Corp.
06002	R T C Division Cogeco
06023	Mullard Ltd.
06078	International Rectifier Ltd.
06121	Siemens AG
06338	SGS Ates
06344	Fujitsu Ltd.
06354	Toshiba Corporation
06418	Hughes International Ltd.
06563	Siemens Corp., Components Group
06592	SGS Ates (14)
06632	Semiconductor Technology Inc.
07050	Micro Power Systems
07221	Supertex Inc.
07766	La Radiotechnique Compelec
08852	Metelics Corp.
09283	Semi Processes Inc.
09914	Unitrode Corp.
10464	Thomson CSF Brazil
10674	Diode Transistor Co.
10760	Hybrid Die
10818	H-lbrape Electronica
10881	Thomson-CSF
10978	Frequency Sources
11152	Composants Semicond. De Protection

HP P/N	Mfr.	Desc.	HP P/N	Mfr.	Desc.	HP P/N	Mfr.	Desc.
0122-0002	01691	1N4813	0122-0070	02037	1N5143A	0837-0273	01973	V120MA1A
0122-0004	01691	1N4809	0122-0071	02037	MV2107	0837-0276	03287	1.5KE400A
0122-0005	01691	1N4810	0122-0072	02037	BB105B	0837-0277	03287	1.5KE300A
0122-0008	02569	VA114	0122-0074	05695	MA45644	0837-0278	01973	V39ZAI
0122-0014	01691	1N4810B	0122-0077	02037	MV2201	0837-0279	03287	MPTE-10C
0122-0017	01691	1N4804	0122-0081	02037	MV1404	0837-0281	03287	SA7.5C
0122-0018	01691	1N4801A	0122-0085	00039	1S2208(B)	0837-0283	03287	1.5KE47CA
0122-0019	01691	1N4803A	0122-0089	02037	MV109	0837-0285	01973	V56MA2B
0122-0020	01691	1N4805A	0122-0090	02037	BB-105B	0837-0289	03287	1.5KE47
0122-0021	01691	1N4807A	0122-0158	10978	1N5146A(SEL)	0837-0290	10464	BZ450-56
0122-0022	01691	1N4808A	0122-0159	10978	1N5148A(SEL)	0837-0292	01973	V120ZAE
0122-0023	01691	1N4809A	0122-0160	02865	6-6832-79	0837-0294	02037	PK6E82
0122-0024	01691	1N4810A	0122-0161	03334	BB405B	0837-0299	03287	GMP-5B
0122-0025	01691	1N4811A	0122-0162	03334	BB809	0837-0300	03287	PK6E10A
0122-0026	01691	1N4812A	0122-0163	02037	MVAM125	0837-0301	03287	PK6E15A
0122-0027	01691	1N4813A	0122-0164	10978	1N5148A(SEL)	0837-0302	03287	PK6E20
0122-0028	01691	1N4814A	0122-0165	10978	KV31S1	0837-0303	03287	PK6E39A
0122-0029	01691	1N4815A	0122-0167	06121	BB409	0837-0304	11152	GZ35018A
0122-0031	02569	VA126	0122-0245	02037	1N5139	0837-0305	11152	GZ35108A
0122-0034	01691	1N4814B	0122-0246	02037	1N5139A	1820-0225	03406	LM103-2.4
0122-0044	02919	MV840C	0122-0247	02037	1N5140	1820-0240	01921	CA3026
0122-0056	02037	MV2101	0122-0248	02037	1N5140A	1820-0352	01921	CA3018
0122-0060	02037	MV2308	0122-0249	02037	1N5141	1820-1804	02037	MPQ6842
0122-0062	02037	1N5468A	0122-0250	02037	1N5141A	1821-0001	01921	CA3046
0122-0064	02037	MV1868D	0122-0251	02037	1N5142	1821-0002	01921	CA3045
0122-0066	02037	MV1401	0122-0252	02037	1N5142A	1821-0006	02237	SH6501PC
			0122-0253	02037	1N5143	1850-0003	03334	2N1516
						0837-0271	03287	2N384

HPP:N	Mfr.	Desc.						
1850-0020	01698	2N1143	1853-0258	02237	2N4035	1853-0484	02037	MD2905A
1850-0031	01698	2N526	1853-0264	02037	2N5401	1853-0487	02037	2N6609
1850-0032	01698	2N404	1853-0269	02037	2N3809	1853-0488	02237	MFS4356
1850-0041	01921	2N384	1853-0271	02037	2N4403	1853-0489	02037	MN4032
1850-0043	03334	2N1516	1853-0276	02037	MN3906	1853-0490	02037	TIP107
1850-0051	02634	2N1500	1853-0277	01921	2N5954	1853-0492	02037	JME2955
1850-0052	02713	2N596	1853-0280	02037	2N5195	1853-0493	03334	2N5415
1850-0055	04200	2N2360	1853-0281	02682	2N2907A	1853-0494	01973	D45H5
1850-0058	02037	2N174	1853-0290	02037	JTX2907A	1853-0496	02037	MPS-U57
1850-0059	02037	2N174	1853-0292	02037	2N3905	1853-0497	01973	D45H1
1850-0061	01698	2N2561	1853-0293	02037	2N5583	1853-0498	02037	TIP145
1850-0064	01921	2N1183	1853-0303	02037	2N5956	1853-0501	02037	MJ11015
1850-0065	01921	2N1370	1853-0305	02037	2N5875	1853-0523	02037	2C4403
1850-0074	01921	2N1396	1853-0308	02037	MN4645	1853-0524	02037	MJ11021
1850-0075	01979	2N779A	1853-0310	02237	2N4398	1853-0525	02037	MMBT2907A
1850-0076	01698	2N2556	1853-0311	02037	2N3792	1853-0526	02037	2N6437
1850-0078	02037	2N3988	1853-0314	02037	2N2905A	1853-0527	03334	BFQ-32
1850-0085	02037	2N964	1853-0318	02037	MFS6562	1853-0529	02037	MD1130
1850-0090	01921	2N1183B	1853-0320	02237	2N4032	1853-0536	02037	MPS6534
1850-0093	03571	2N1499A	1853-0322	01698	2N2946A	1853-0537	03406	TIP32C
1850-0096	01698	2N2189	1853-0323	02037	2N4900	1853-0538	01921	2N6107
1850-0099	06632	2N964	1853-0326	02037	MPS-U51	1853-0539	02037	MDS60
1850-0103	01698	2N2190	1853-0327	01698	2N2944A	1853-0540	02037	2N3771
1850-0105	01979	2N2048	1853-0328	01921	2N6211	1853-0542	02037	2N6491
1850-0110	02713	2N604	1853-0332	02037	MJE1091	1853-0543	01698	TIP547
1850-0111	01698	2N404A	1853-0334	02037	MJE1090	1853-0544	03334	BFQ51
1850-0112	01698	2N2001	1853-0336	02037	MPSA92	1853-0545	10881	BCK18
1850-0113	01698	2N1997	1853-0340	02037	2N5884	1853-0546	02037	2N3765
1850-0114	01921	2N1905	1853-0341	02037	MJE172	1853-0547	02037	MJE2901T
1850-0119	02037	2N963	1853-0342	01921	40831	1853-0548	02037	2N6420
1850-0126	01921	2N2869	1853-0344	02037	2N5876	1853-0550	00746	2SB737
1850-0127	02713	2N519A	1853-0347	02037	MJE700	1853-0551	03406	TN-4030-J252
1850-0130	02037	2N1193	1853-0348	02037	MJ4645	1853-0552	02037	MPSW56
1850-0131	02037	2N1192	1853-0349	01698	2N5333	1853-0553	03334	A440
1850-0137	01979	2N976	1853-0350	01698	TIP-34	1853-0554	02037	2C4405
1850-0146	02619	2N1501	1853-0351	02037	2N6053	1853-0555	02037	MPS404A
1850-0150	05840	2N1358	1853-0353	02037	MPS-U55	1853-0556	02037	2C5087
1850-0151	01698	2N1309	1853-0355	01698	BF398	1853-0557	02037	BD416
1850-0154	01979	2N508A	1853-0356	01698	TIP42	1853-0558	02037	2N6554
1850-0160	01921	2N2147	1853-0360	02037	2N3799A	1853-0559	02037	MPSW55
1850-0163	02037	2N2635	1853-0362	02037	2N6053	1853-0563	02037	2N3906(SEL)
1850-0166	01698	2N2188	1853-0363	01973	X45H281	1853-0565	02037	2N4403
1850-0170	01698	2N1377	1853-0364	02037	MJE-701	1853-0566	02037	MMBT455
1850-0172	01698	2N2996	1853-0365	02037	MJE2901K	1853-0567	02037	MMBT3906
1850-0173	01698	2N1307	1853-0366	02237	BC321C-18	1853-0568	02037	MMBT5087
1850-0178	01698	2N1038	1853-0367	02037	MJE233	1853-0570	02037	2N5401(SEL)
1850-0179	02037	2N3323	1853-0368	02037	MJE170	1853-0572	02037	MPSA76
1850-0180	01698	2N1374	1853-0369	02037	MJE371K	1853-0573	10881	2N6709
1850-0181	01698	2N2552	1853-0370	01921	2N5782	1853-0574	02037	2N3468
1850-0182	01698	2N1378	1853-0371	01921	2N6107	1853-0575	03334	BFQ32(CHIP)
1850-0194	05840	2N1523	1853-0372	02037	MJE5195	1853-0576	02037	2N5416(SEL)
1850-0404	01698	2N1305	1853-0373	02237	2N5022	1853-0577	02037	2N3906RLRA2
1850-0406	02783	2N1760	1853-0377	01698	TIP 115	1853-0578	00039	NB90115
1850-0409	01698	2N2664	1853-0378	02037	2N5987	1853-0579	02037	2C2946
1850-0417	02713	2N597	1853-0381	01698	2N6331	1853-0580	02037	MMBT4403
1850-0418	02713	2N600	1853-0383	02037	2N6296	1853-0581	02037	MMBT5401
1850-0439	02037	MA4404A	1853-0384	02037	2N3244	1854-0004	01698	2N743
1850-0440	02037	MP603	1853-0385	02037	MJE5194	1854-0005	02237	2N708
1850-0441	06632	2N779A	1853-0387	02037	MJ2500	1854-0009	02037	2N709
1851-0002	01698	2N3888A	1853-0391	02037	2N6051	1854-0010	02037	2N834
1851-0003	01698	2N3888A	1853-0392	02037	2N3744	1854-0011	02037	2N835
1851-0006	01973	2N169A	1853-0394	02037	MJE 2370	1854-0013	02037	2N2218A
1851-0007	01973	2N169A	1853-0395	02037	MPS-A70	1854-0014	02037	2N2720
1851-0009	01698	2N3888A	1853-0398	02037	MJE 210	1854-0017	02237	2N706A
1851-0011	01698	2N1306	1853-0399	03406	2N3467	1854-0021	02237	2N918
1851-0021	01698	2N3888A	1853-0404	01698	AST4260	1854-0022	02237	SI 18048
1851-0024	01698	2N3888A	1853-0405	02037	2N4209	1854-0026	01973	2N335
1851-0025	01698	2N1306	1853-0406	01921	2N6476	1854-0029	01973	2N2712
1851-0031	01698	2N1605	1853-0407	02037	2N5880	1854-0030	02237	2N2369
1851-0034	01698	2N1605A	1853-0412	02037	MPSA65	1854-0031	01698	2N2865
1851-0037	01698	2N1308	1853-0414	02037	2N6423	1854-0032	02037	2N2221
1851-0038	01973	2N1121	1853-0416	02037	MPS-A64	1854-0033	01973	2N3391
1851-0041	03334	2N2430	1853-0417	02037	MJE 253	1854-0036	02037	2N2958
1853-0002	02619	2N1027	1853-0418	02037	2N6317	1854-0039	01921	2N3053S
1853-0006	02037	2N3134	1853-0419	02037	2N4403	1854-0044	01973	2N2716
1853-0007	02037	2N3251	1853-0420	02037	MJ2955	1854-0048	01921	2N2857
1853-0008	02037	2N3250	1853-0422	01698	2N4033	1854-0050	02237	2N916
1853-0012	02037	2N2904A	1853-0423	02037	MPS U-60	1854-0053	02037	2N2218
1853-0013	01698	2N2904	1853-0424	01698	TIP-126	1854-0056	01921	2N3119
1853-0014	02237	2N3304	1853-0425	02037	2N5883	1854-0057	01973	2N3855A
1853-0019	01698	2N1131	1853-0426	02037	2N4904	1854-0060	02237	2N3565
1853-0023	01698	2N3703	1853-0428	02037	2N5684	1854-0062	01921	2N1701
1853-0028	02037	2N3634	1853-0429	02037	2N3762	1854-0063	01921	2N3055
1853-0031	02037	2N3789	1853-0430	02037	2N4959	1854-0064	01698	2N3710
1853-0033	02634	2N3318	1853-0431	02037	TIP42C	1854-0066	01973	2N2925
1853-0043	02037	MFS 6523	1853-0436	02037	MJE170	1854-0067	01921	2N2102
1853-0045	01921	2N4036	1853-0437	02037	2N6520	1854-0071	00746	CP4071
1853-0046	02037	2N3250	1853-0439	01921	2N6248	1854-0072	01921	2N3054
1853-0051	01921	2N4037	1853-0440	02037	MN4018	1854-0076	01698	2N1973
1853-0052	02037	2N3740	1853-0441	02037	MJE2955K	1854-0079	01921	2N3439
1853-0057	02634	3N91	1853-0442	02037	2N3867	1854-0081	01698	2I3711
1853-0058	02237	S32248	1853-0447	02037	MJE253	1854-0084	02037	2N3232
1853-0059	02037	2N3791	1853-0448	02037	MPSH81	1854-0086	05840	DTS413
1853-0071	02037	2N3494	1853-0449	02037	MPS-U95	1854-0090	03334	2N3053LV 2449
1853-0072	02237	2N4034	1853-0450	02037	MJE371K(SELECTED)	1854-0093	01973	2N3415
1853-0081	02237	2N4258	1853-0451	01698	2N3799	1854-0095	01921	40346
1853-0084	02037	2N4918	1853-0452	02037	2N6594	1854-0098	01973	2N3392
1853-0086	03406	2N5087	1853-0453	01698	TIP36	1854-0203	02237	2N3694
1853-0087	01921	40394	1853-0454	01698	TIP106	1854-0205	02037	2N3904
1853-0089	02237	2N4917	1853-0455	02037	MJE6040	1854-0209	02237	2N910
1853-0091	02237	2N4917	1853-0457	02037	2N5400	1854-0210	02037	2N222
1853-0092	02237	BSX29	1853-0458	02037	MJE251	1854-0211	02037	2N2501
1853-0204	02037	2N4920	1853-0461	02037	2N6318	1854-0214	01698	2N2538
1853-0205	02037	2N2907	1853-0462	02037	2N3635	1854-0215	01921	2N1482
1853-0206	02237	2N4028	1853-0463	02037	TIP105	1854-0215	02037	2N3904
1853-0212	02037	2N5194	1853-0464	01698	TIS-149	1854-0216	01921	2N3441
1853-0213	02037	2N4236	1853-0467	02037	MPS-D54	1854-0217	01921	2N3442
1853-0217	02037	MFS-404A	1853-0468	01698	TIP-127	1854-0218	01973	2N3393
1853-0221	01921	2N5416	1853-0469	02037	2N6109	1854-0219	01973	2N3663
1853-0222	02037	2N4919	1853-0470	02037	JAN TKV 2N2907A	1854-0220	02037	2N3959
1853-0223	02037	2N4902	1853-0471	02037	MD-982	1854-0222	02037	MD2252
1853-0224	01921	2N5415	1853-0472	01973	D45H2	1854-0224	01921	40250
1853-0234	01698	TIP42A	1853-0476	02037	MPS-U52			

HPP/N	Mfr.	Desc.				
1854-0235	01921	2N1484				
1854-0238	03406	2N3933				
1854-0242	01921	2N3262				
1854-0246	02037	SPS 233				
1854-0248	03191	2N4044				
1854-0252	02037	2N3713				
1854-0255	02237	2N3642				
1854-0259	02037	2N3766				
1854-0260	02037	2N3227				
1854-0263	02037	2N3019				
1854-0264	02037	2N3715				
1854-0267	06338	2N3013				
1854-0270	02037	SPS 3627				
1854-0278	02237	2N3302				
1854-0281	01698	2N2194				
1854-0282	01921	2N3583				
1854-0286	03776	2N5217				
1854-0287	02237	2N915				
1854-0289	01698	2N730				
1854-0296	02037	MPS6543 SELECTED				
1854-0301	01921	2N3261				
1854-0304	02237	2N2483				
1854-0307	03334	BCY 57/LV2345				
1854-0308	01921	2N3553				
1854-0311	01921	2N4240				
1854-0313	01921	2N3771				
1854-0315	01991	2N3633				
1854-0323	01921	2N2857				
1854-0324	02037	2N3739				
1854-0325	01921	2N3478				
1854-0345	02037	2N5179				
1854-0347	02037	2N4923				
1854-0349	02037	2N2913				
1854-0350	01698	2N3724A				
1854-0352	01921	2N2405				
1854-0361	02037	2N4239				
1854-0363	01921	2N5262				
1854-0365	02037	2N4410				
1854-0368	02037	2N5191				
1854-0370	01921	2N5294				
1854-0378	01921	2N5109				
1854-0379	01921	2N4298				
1854-0382	01921	2N4348				
1854-0383	01921	40313				
1854-0384	01921	2N5184				
1854-0386	01921	2N5070				
1854-0388	02237	SE5055				
1854-0389	02037	2N4922				
1854-0392	02037	2N5088				
1854-0397	01698	2N4966				
1854-0398	02037	2N5301				
1854-0399	02037	2N4912				
1854-0409	02037	2N5210				
1854-0411	02037	2N2972				
1854-0416	02237	2N3426				
1854-0418	02237	2N3563				
1854-0431	01921	2N5179				
1854-0432	02237	2N3646				
1854-0435	03334	A211				
1854-0453	02037	2N5192				
1854-0454	01921	2N5496				
1854-0456	01698	TIP41A				
1854-0467	02037	2N4401				
1854-0472	02037	MPS-A14				
1854-0474	02037	2N5551				
1854-0476	01921	2N3879				
1854-0477	02682	2N2222A				
1854-0478	02237	2N4046				
1854-0492	02037	MPS3643				
1854-0518	02037	2N5877				
1854-0519	01921	2N3772				
1854-0527	02037	2N2895				
1854-0534	01921	2N5838				
1854-0540	02037	MM8006				
1854-0547	01698	2N3725				
1854-0548	02237	2N5963				
1854-0555	02037	MMT3960				
1854-0556	02037	2N4237				
1854-0557	01698	2N2432A				
1854-0560	02037	MPS A12				
1854-0566	01921	2N3771				
1854-0570	01921	2N5189				
1854-0572	01921	2N5805				
1854-0575	02037	MPS-A42				
1854-0576	01921	2N6258				
1854-0577	01921	2N6259				
1854-0580	02037	MM8001				
1854-0581	02037	MJE800				
1854-0583	02037	MPS-A18				
1854-0586	02037	MJE182				
1854-0588	02037	2N5429				
1854-0587	02037	MMT3960A				
1854-0589	02037	MJ3772				
1854-0590	01921	2N3054				
1854-0591	03334	BFR90				
1854-0593	01698	TIP-35A				
1854-0594	01698	TIP-33				
1854-0596	02037	2N5427				
1854-0597	02037	2N5943				
1854-0598	01921	2N6249				
1854-0599	01921	2N6078				
1854-0600	02037	2N4233A				
1854-0611	02037	2N6055				
1854-0612	01921	40608				
1854-0613	01921	2N1701				
1854-0615	01921	40854				
1854-0617	01921	40852				
1854-0618	02037	MJ3000				
1854-0619	03285	AD814				
1854-0621	01698	BF258				
1854-0622	02037	MJE340				
1854-0623	02037	2N6306				
1854-0624	02037	2N6308				
1854-0625	01698	TIP-41				
1854-0626	02037	MJE802				
1854-0628	02037	MPS-H17				
1854-0632	03334	BFR91				
1854-0633	02037	MJE800				
1854-0634	02037	MPS-U01				
1854-0635	01973	D4485				
1854-0637	02037	2N2219A				
1854-0639	01921	RCP-703C				
1854-0640	02037	MJE2801K				
1854-0642	02037	MPS-A17				
1854-0643	01921	2N3585				
1854-0646	01921	29C				
1854-0647	03406	LM114AH				
1854-0648	02037	MJE2102				
1854-0653	02037	2N6300				
1854-0654	02037	MJE521K				
1854-0656	02634	2N3414				
1854-0659	02037	MJE180				
1854-0662	02037	2N6296				
1854-0663	01698	TIP140				
1854-0664	05176	HF-3				
1854-0665	06023	BUS11				
1854-0667	01921	2N3053				
1854-0669	02037	2N6057				
1854-0670	01698	TIP110				
1854-0671	02037	2N6282				
1854-0679	02037	2N5885				
1854-0682	02037	MJE5191				
1854-0687	01698	2N3725A				
1854-0691	02037	MPS A18				
1854-0692	02037	MJE223				
1854-0695	02037	2N5067				
1854-0697	02037	2N5886				
1854-0698	02037	2N6294				
1854-0701	02037	MJE2100				
1854-0705	10674	DTS-802				
1854-0707	02037	MJ4035				
1854-0708	01921	2N5578				
1854-0709	01921	2N5575				
1854-0714	02237	2N5962				
1854-0715	01921	2N6354				
1854-0721	03334	BFR95				
1854-0722	03334	BFR96				
1854-0723	03334	BFR98				
1854-0727	01921	2N6474				
1854-0730	02037	MPS6531				
1854-0731	02237	2N5089				
1854-0733	01921	2N3773				
1854-0735	02037	MJE220				
1854-0736	02037	MJE5657				
1854-0737	01921	2N6477				
1854-0738	01921	2N6261				
1854-0739	02037	MJE200				
1854-0741	02037	2N6338				
1854-0743	02037	2N5878				
1854-0746	02037	2N6339				
1854-0747	05176	HP-4				
1854-0748	02037	2N2896				
1854-0749	02037	MJE2361				
1854-0750	02237	2N720A				
1854-0751	02237	2N5840				
1854-0752	02037	MMCS2369				
1854-0754	02037	MJE244				
1854-0755	01921	2N6254				
1854-0756	02037	2N6315				
1854-0758	02037	2N5427				
1854-0761	02037	2N2060				
1854-0762	01921	2N5039				
1854-0763	01698	TIP 141				
1854-0764	02037	MPS U-10				
1854-0765	01921	2N6292				
1854-0766	02037	2N5428				
1854-0767	01921	2N6306				
1854-0768	02037	MJE1661				
1854-0769	02062	35821E				
1854-0770	02037	2N3904 CHIP				
1854-0771	03406	2N4384 CHIP				
1854-0774	01921	2N6056				
1854-0775	03334	BUX-80				
1854-0777	02237	FT50				
1854-0780	03334	BUX-83				
1854-0784	02037	2N3866A				
1854-0785	02037	2N6305				
1854-0786	02037	2N2540				
1854-0787	02037	2N6545				
1854-0792	02237	2N2920				
1854-0793	01921	2N5671				
1854-0794	02037	MJE243				
1854-0795	02037	MPSH10				
1854-0797	01698	BH105				
1854-0798	02037	MPS-U45				
1854-0799	02037	TIP41C				
1854-0802	02037	MMS262C				
1854-0803	01698	TIP758				
1854-0804	03038	IR5062				
1854-0805	02037	BD139				
1854-0806	01698	TIP51				
1854-0808	02037	MJE241				
1854-0810	02634	CT-1058				
1854-0817	02037	MPS-U05				
1854-0819	02037	MJE2801T				
1854-0825	02062	HKTR-5002				
1854-0826	03406	LM-3948H				
1854-0827	02037	MJE-13009				
1854-0828	01698	TIP-122				
1854-0829	02037	JAM TXV 2N2222A				
1854-0830	03406	LM394				
1854-0831	02037					

HPP/N	Mfr.	Desc.
1854-0235	01921	2N1484
1854-0238	03406	2N3933
1854-0242	01921	2N3262
1854-0246	02037	SPS 233
1854-0248	03191	2N4044
1854-0252	02037	2N3713
1854-0255	02237	2N3642
1854-0259	02037	2N3766
1854-0260	02037	2N3227
1854-0263	02037	2N3019
1854-0264	02037	2N3715
1854-0267	06338	2N3013
1854-0270	02037	SPS 3627
1854-0278	02237	2N3302
1854-0281	01698	2N2194
1854-0282	01921	2N3583
1854-0286	03776	2N5217
1854-0287	02237	2N915
1854-0289	01698	2N730
1854-0296	02037	MPS6543 SELECTED
1854-0301	01921	2N3261
1854-0304	02237	2N2483
1854-0307	03334	BCY 57/LV2345
1854-0308	01921	2N3553
1854-0311	01921	2N4240
1854-0313	01921	2N3771
1854-0315	01991	2N3633
1854-0323	01921	2N2857
1854-0324	02037	2N3739
1854-0325	01921	2N3478
1854-0345	02037	2N5179
1854-0347	02037	2N4923
1854-0349	02037	2N2913
1854-0350	01698	2N3724A
1854-0352	01921	2N2405
1854-0361	02037	2N4239
1854-0363	01921	2N5262
1854-0365	02037	2N4410
1854-0368	02037	2N5191
1854-0370	01921	2N5294
1854-0378	01921	2N5109
1854-0379	01921	2N4298
1854-0382	01921	2N4348
1854-0383	01921	40313
1854-0384	01921	2N5184
1854-0386	01921	2N5070
1854-0388	02237	SE5055
1854-0389	02037	2N4922
1854-0392	02037	2N5088
1854-0397	01698	2N4966
1854-0398	02037	2N5301
1854-0399	02037	2N4912
1854-0409	02037	2N5210
1854-0411	02037	2N2972
1854-0416	02237	2N3426
1854-0418	02237	2N3563
1854-0431	01921	2N5179
1854-0432	02237	2N3646
1854-0435	03334	A211
1854-0453	02037	2N5192
1854-0454	01921	2N5496
1854-0456	01698	TIP41A
1854-0467	02037	2N4401
1854-0472	02037	MPS-A14
1854-0474	02037	2N5551
1854-0476	01921	2N3879
1854-0477	02682	2N2222A
1854-0478	02237	2N4046
1854-0492	02037	MPS3643
1854-0518	02037	2N5877
1854-0519	01921	2N3772
1854-0527	02037	2N2895
1854-0534	01921	2N5838
1854-0540	02037	MM8006
1854-0547	01698	2N3725
1854-0548	02237	2N5963
1854-0555	02037	MMT3960
1854-0556	02037	2N4237
1854-0557	01698	2N2432A
1854-0560	02037	MPS A12
1854-0566	01921	2N3771
1854-0570	01921	2N5189
1854-0572	01921	2N5805
1854-0575	02037	MPS-A42
1854-0576	01921	2N6258
1854-0577	01921	2N6259
1854-0580	02037	MM8001
1854-0581	02037	MJE800
1854-0583	02037	MPS-A18
1854-0585	02037	MJE182
1854-0586	02037	2N5429
1854-0587	02037	MMT3960A
1854-0589	02037	MJ3772
1854-0590	01921	2N3054
1854-0591	03334	BFR90
1854-0593	01698	TIP-35A
1854-0594	01698	TIP-33
1854-0596	02037	2N5427
1854-0597	02037	2N5943
1854-0598	01921	2N6249
1854-0599	01921	2N6078
1854-0600	02037	2N2334
1854-0611	02037	2N6055
1854-0612	01921	40608
1854-0613	01921	2M1701
1854-0615	01921	40854
1854-0617	01921	40852
1854-0618	02037	MJ3000
1854-0619	03285	AD814
1854-0621	01698	BFR258
1854-0622	02037	MJE340
1854-0623	02037	2N6306
1854-0624	02037	2N6308
1854-0625	01698	TIP-41
1854-0626	02037	MJE802
1854-0628	02037	MPS-H17
1854-0632	03334	BFR91
1854-0633	02037	MJE800
1854-0634	02037	MPS-U01
1854-0635	01973	D44MS
1854-0637	02037	2N2219A
1854-0639	01921	RCF-703C
1854-0640	02037	MJE2801K
1854-0642	02037	MPS-A17
1854-0643	01921	2N3585
1854-0644	01921	29C
1854-0646	03406	LM114AH
1854-0647	02037	MJE2102
1854-0648	02037	2N6300
1854-0653	02037	MJE521K
1854-0654	02037	MJE5192
1854-0656	02634	2N3414
1854-0659	02037	MJE180
1854-0662	02037	2N6296
1854-0663	01698	TIP140
1854-0664	05176	HP-3
1854-0665	06023	BUS11
1854-0667	01921	2N3053
1854-0669	02037	2N6097
1854-0670	01698	TIP110
1854-0671	02037	2N6282
1854-0679	02037	2N5885
1854-0682	02037	MJE5191
1854-0687	01698	2N3725A
1854-0691	02037	MPS A18
1854-0692	02037	MJE223
1854-0695	02037	2N5067
1854-0697	02037	2N5886
1854-0698	02037	2N6294
1854-0701	02037	MJE2100
1854-0705	10674	JTS-802
1854-0707	02037	MJ4035
1854-0708	01921	2N5578
1854-0709	01921	2N5575
1854-0714	02237	2N5962
1854-0715	01921	2N6354
1854-0721	03334	BFR95
1854-0722	03334	BFR96
1854-0723	03334	BFR89
1854-0727	01921	2N6474
1854-0730	02037	MPS6531
1854-0731	02237	2N5089
1854-0733	01921	2N3773
1854-0735	02037	MJE220
1854-0736	02037	MJE5657
1854-0737	01921	2N6477
1854-0738	01921	2N6261
1854-0739	02037	MJE200
1854-0741	02037	2N6338
1854-0743	02037	2N5878
1854-0746	02037	2N6339
1854-0747	05176	HP-4
1854-0748	02037	2N2896
1854-0749	02037	MJE2361
1854-0750	02237	2N720A
1854-0751	02237	2N5840
1854-0752	02037	MJCS2369
1854-0754	02037	MJE244
1854-0755	01921	2N6254
1854-0756	02037	2N6315
1854-0758	02037	2N5427
1854-0761	02037	2N6060
1854-0762	01921	2N5039
1854-0763	01698	TIP 141
1854-0764	02037	MPS U-10
1854-0765	01921	2N6292
1854-0766	02037	2N5428
1854-0767	01921	2N6306
1854-0768	02037	MJE1661
1854-0769	02062	35821E
1854-0770	02037	2N3904 CHIP
1854-0771	03406	2N4384 CHIP
1854-0774	01921	2N6056
1854-0775	03334	BUX-80
1854-0777	02237	FT50
1854-0780	03334	BUX-83
1854-0784	02037	2N3866A
1854-0785	02037	2N6305
1854-0786	02037	2N2540
1854-0787	02037	2N6545
1854-0792	02237	2N2920
1854-0793	01921	2N5671
1854-0794	02037	MJE243
1854-0795	02037	MPSH10
1854-0797	01698	BUL105
1854-0798	02037	MPS-U45
1854-0799	02037	TIP41C
1854-0802	02037	MM5262
1854-0803	01698	TIP75B
1854-0804	03038	TR5062
1854-0805	02037	BD139
1854-0806	01698	TIP51
1854-0808	02037	MJE241
1854-0810	02634	CT-1058
1854-0817	02037	MPS-U05
1854-0819	02037	MJE2801T
1854-0825	02062	HXTR-5002
1854-0826	03406	LM-394BH
1854-0827	02037	MJE-13009
1854-0828	01698	TIP-122
1854-0829	02037	JAN TKV 2N2222A
1854-0830	03406	LM394
1854-0831	02037	2N6429A
1854-0834	01921	2N6033
1854-0836	02037	MPS-U02
1854-0837	01921	2N6289
1854-0838	02037	TIP47
1854-0839	02037	2N6497
1854-0840	02037	TIP100
1854-0842	02037	2N3014
1854-0845	02037	MJ11012
1854-0847	02037	MJEL2007
1854-0848	01691	2N6584
1854-0849	02037	MFR515
1854-0851	02037	2N4428
1854-0860	00039	2SC2334
1854-0861	02062	HXTR-6001
1854-0862	02062	HXTR-5002
1854-0863	02062	HXTR-2101
1854-0864	02062	HXTR-6105
1854-0865	03038	IR6062
1854-0866	02037	MPS834
1854-0867	02237	PN3568
1854-0868	06592	BFR 36
1854-0871	01921	2N6678
1854-0872	01973	D44H11
1854-0877	02037	MPS-U07
1854-0878	02062	HXTR-5104
1854-0879	02037	MJE6043
1854-0880	02037	TIP440
1854-0883	02037	MM3904
1854-0884	01921	2N6488
1854-0886	02037	MJE3302
1854-0887	02037	MJ11016
1854-0889	02037	2N6499
1854-0890	02037	MRF904
1854-0891	06023	BUX82
1854-0906	02037	MJ12010
1854-0929	02037	MMB918
1854-0940	06344	2SC2429 (SEL)
1854-0941	02037	MJ12003
1854-0942	03334	BFQ34
1854-0944	02062	HXTR-3101
1854-0946	00039	NE02135
1854-0948	02037	MJ10006
1854-0960	01698	TIPL753A
1854-0964	02037	MJ12004
1854-0965	02037	MJ8505
1854-0967	02037	TIP41C (SELECTED)
1854-0968	02037	SJ7076
1854-0969	02037	MJ12005
1854-0970	01698	TIP102
1854-0971	02062	2N6741
1854-0972	02037	BFR902
1854-0973	02037	MPS8098
1854-0977	02037	MPS-A14
1854-0978	01973	GES3416
1854-0979	02037	MPS2369
1854-0980	02037	MFR961
1854-0981	02037	MPS5179
1854-0982	01698	TIP642
1854-0983	02037	MJ12005 (SELECTED)
1854-0984	02037	MJ16002 (SELECTED)
1854-0985	02037	TIP142
1854-0986	10881	BFR92
1854-0987	10881	BCX20
1854-0988	02037	2N3737
1854-0989	02037	MJ15003
1854-0990	02037	MRF630
1854-0991	00746	25D786
1854-0992	03714	ITS1015 (SEL)
1854-0993	02037	MPSH10
1854-0994	02037	2N5179 (SEL)
1854-0996	02037	MJEL3003
1854-0997	02037	MPS406
1854-0998	01973	D42C11N
1854-0999	01921	2N5320
1854-1000	03714	ITL20/D
1854-1001	02037	MPSAC17
1854-1002	00039	NE4535
1854-1003	06354	2SC2876
1854-1004	02037	BD415
1854-1005	02037	BU508A
1854-1006	02037	BU406
1854-1007	02037	2N5943 (SEL)
1854-1008	00039	NE-41635
1854-1009	00039	NE21935
1854-1010	02037	MD918A
1854-1011	02037	2C3904
1854-1012	03334	BFQ34 (CHIP)
1854-1014	02037	MMBT6429
1854-1015	02037	MJ16012

HPP N	Mfr.	Desc.						
1855-0001	01973	2N1671A	1855-0502	03038	IRFD111	1900-0004	02865	1N76
1855-0005	02763	2N3436	1855-0504	03038	IRF630	1900-0005	05695	1N82
1855-0010	01973	2N2646	1855-0506	02037	MP12N10	1900-0006	05695	1N416B
1855-0020	02037	SFE793	1855-0507	03285	2N5912	1900-0009	01250	1N415B
1855-0021	01973	2N1671B	1855-0508	03038	IRF150	1900-0010	01250	1N21BRM
1855-0027	01973	2N2647	1855-0509	03038	IRF9520	1900-0012	01250	1N23B
1855-0038	02763	2N3922	1855-0510	03038	IRF830	1900-0015	05695	1N415C
1855-0040	01698	2N4360	1855-0512	01921	RC49212A	1900-0016	02865	1N4603
1855-0052	02237	2N4360	1855-0515	07050	HP833-1004	1900-0017	02865	1N21E
1855-0055	02883	2N4339	1855-0517	03038	IRF9532	1900-0018	05695	1N23C
1855-0056	02237	2N4342	1855-0518	03038	IRFD110	1900-0019	05695	1N831
1855-0065	01698	2N4891	1855-0519	02883	U311	1900-0020	01250	1N76A
1855-0077	01973	2N1671C	1855-0520	03038	IRFD113	1900-0025	02062	50B2-0049
1855-0095	01921	40468	1855-0521	03038	IRFF210	1900-0030	02865	DME6569
1855-0096	02037	2N5485(SEL)	1855-0522	03038	IRFD9120	1900-0031	02865	DMJ4705
1855-0098	03714	IT1700	1855-0524	03038	IRF640	1900-0032	02865	DS6474E
1855-0099	02037	2N4853	1855-0525	02883	VN0300M	1900-0033	02062	50B2-0008
1855-0204	02037	2N4852	1855-0526	02883	VP0300M	1900-0034	03172	4A4665
1855-0205	02883	VCR3P	1855-0527	02037	MTM2P45	1900-0035	03172	H5CH-5510
1855-0206	02883	E111	1855-0529	03406	FF5101(SELECTED)	1900-0036	03172	A5S092 SELECTED
1855-0207	03406	2N3955	1855-0530	02883	U310	1900-0037	02037	MNBD101
1855-0208	02883	2N4117	1855-0531	03038	IRF120	1900-0039	02037	MNBD352
1855-0213	03406	2N5912	1855-0534	01921	40673	1900-0040	05695	MA-4E402L
1855-0215	09283	SD211DE(SELECTED)	1855-0535	03714	IT1750	1900-0041	05695	MA-40035
1855-0224	01698	2N3824	1855-0536	03038	IRF440	1900-0043	03172	A2X2056
1855-0226	02037	2N5460	1855-0537	03714	1VN5000TNE	1900-0045	05695	MA4P485
1855-0232	02883	2N5565	1855-0539	06121	BUZ24	1901-0002	01921	1N1200A
1855-0235	02037	U310(SELECTED)	1855-0540	03406	2N5115(SEL)	1901-0004	03038	1N1084
1855-0241	02910	SD215	1855-0542	02037	MP12N06	1901-0005	01991	1N603A
1855-0244	03406	2N4857	1855-0545	02883	VN10KE	1901-0006	02037	1N1566A
1855-0250	01698	3N215	1855-0546	07221	VN0104N3	1901-0010	01973	1N540
1855-0256	02037	2N4416A CHIP	1855-0548	06121	BUZ71A	1901-0013	01991	1N253
1855-0257	03406	2N5247	1855-0549	03038	IRF512	1901-0016	02037	1N1566
1855-0258	03406	2N5949	1855-0550	02883	VP0300L	1901-0017	01973	1N1118
1855-0263	02883	VMP-1	1855-0551	03038	IRFD420	1901-0019	02086	1N1344
1855-0265	02883	VCR2N	1855-0552	02037	UC310	1901-0021	01973	1N538
1855-0268	02883	J309	1855-0553	06121	BUZ10	1901-0025	00046	1N645
1855-0269	02910	SD214	1855-0554	03406	J304(SEL)	1901-0032	02037	1N3209
1855-0272	02037	MFE3004	1855-0555	02883	VN0300L	1901-0033	00046	1N645
1855-0274	02883	E232	1855-0556	02883	VN222L	1901-0038	02237	1N3064
1855-0275	02883	VN66AF	1855-0557	09283	SD306(SEL)	1901-0040	00046	1N4148
1855-0276	02037	2N4416A	1855-0559	09283	SD215	1901-0041	00046	1N4607
1855-0277	02037	2N5268	1855-0560	02883	VN10LE	1901-0044	00046	1N4148
1855-0278	03714	2N5116	1855-0561	03038	IRF510	1901-0048	02037	1N3210
1855-0279	03714	3N190	1855-0562	03038	IRF250	1901-0050	00046	1N4150
1855-0280	02883	E107	1855-0563	02037	MP12N18	1901-0051	02037	1N1566A
1855-0283	02763	2N5396	1855-0565	01921	IRFD10N12	1901-0053	00046	1N5395
1855-0285	01698	2N5246	1855-0567	03038	IRFD9123	1901-0057	02037	1N2525
1855-0286	02883	2N3966	1855-0568	06121	BUZ71A	1901-0058	01991	1N628
1855-0288	02883	2N5556	1855-0569	00039	NET1000	1901-0059	01991	1N629
1855-0289	02883	J177	1855-0570	00039	2SK523	1901-0060	02037	1N1116
1855-0290	02037	2N5476	1855-0571	00039	ZSK533	1901-0061	01991	1N816
1855-0291	02883	2N3631	1855-0572	03038	IRF523	1901-0062	02037	1N1563A
1855-0292	03406	2N5432	1855-0573	02883	U440	1901-0071	02763	1N625
1855-0293	02883	2N6658	1855-0574	02883	J175	1901-0081	00046	1N4148
1855-0296	03038	IRF300	1855-0575	02883	2N6660	1901-0096	02237	FDH-400
1855-0297	03406	2N2608	1855-0576	00039	2SK105F,H	1901-0126	01921	1N1763
1855-0298	02883	J2472	1855-0580	02883	IRF1123	1901-0129	01698	1N647
1855-0301	02883	2N5498	1855-0581	03038	IRF521	1901-0131	01921	1N1764
1855-0305	02883	2N4117A	1858-0004	01921	CA3049	1901-0132	01698	1N660
1855-0306	01921	3N128	1858-0009	02037	MPQ2221	1901-0138	01991	1N1581
1855-0307	01921	3N153	1858-0010	02037	MPQ2906	1901-0144	03447	1N662
1855-0309	02037	2N4352	1858-0020	02237	SH6401PC	1901-0147	02086	1N1202
1855-0314	01973	2N6027	1858-0021	01921	CA3083	1901-0151	05131	1N2242
1855-0322	03334	2N5105	1858-0022	03793	SG3821N	1901-0161	02037	MDA1201
1855-0323	03714	3N172	1858-0023	01921	CA3081E	1901-0164	02037	1N4721
1855-0327	01698	2N4416	1858-0032	01921	CA3146E	1901-0179	02237	FD777
1855-0332	01921	3N138	1858-0034	02037	MPQ3725	1901-0304	01973	1N3570
1855-0341	02883	2N4338	1858-0036	03285	AD821(SPEC)	1901-0305	01973	1N2158
1855-0346	01973	2N6028	1858-0037	02634	ULN2082A	1901-0306	01973	1N2158R
1855-0357	01921	3N142	1858-0040	01921	CA3127E	1901-0307	01973	1N3289
1855-0371	02037	2N4092	1858-0045	03406	LM3018AH	1901-0308	01973	1N3289R
1855-0379	02037	2N5474	1858-0046	01921	CA3097E	1901-0309	01973	1N1347A
1855-0380	02037	2N4351	1858-0047	02634	ULN-2003A	1901-0310	01973	1N250C
1855-0386	02037	2N4392	1858-0048	01921	CA3082E	1901-0311	01973	1N3260R
1855-0387	02037	2N3993	1858-0052	02037	SPQ1678	1901-0312	01973	1N3262
1855-0390	03714	2N3382	1858-0055	02037	MPQ2369	1901-0313	01973	1N3262R
1855-0393	01698	2N3330	1858-0057	01921	CA3082F	1901-0314	01921	1N1206A
1855-0395	02883	FW2645	1858-0058	02037	MPQ3906	1901-0315	06121	1N1833A
1855-0396	03714	3N190	1858-0061	02634	ULN-2004A	1901-0316	02086	1N1833AR
1855-0398	02883	2N5519	1858-0062	02037	MPQ3762	1901-0317	02086	1N184A
1855-0400	02883	2N5905	1858-0063	01921	CA3102E	1901-0318	02086	1N184AR
1855-0402	02883	2N5115	1858-0064	01921	CA3045H	1901-0319	02086	1N1864R
1855-0406	03714	IT110	1858-0065	02634	ULN-2815A-2	1901-0320	02086	1N187A
1855-0413	03406	2N5116	1858-0066	03714	1H401A	1901-0321	02086	1N187AR
1855-0414	02883	2N4393	1858-0067	02634	ULN-2033A	1901-0327	01973	1A14B
1855-0420	02883	2N4391	1858-0069	02634	ULN-2803A	1901-0328	01973	1A14D
1855-0421	02883	2N5114	1858-0071	02037	MPQ3798	1901-0329	01973	1A14M
1855-0423	02883	VN10KM	1858-0072	02634	ULN-2813A	1901-0330	01973	1A14N
1855-0424	03406	J108	1858-0073	02634	ULN-2805A	1901-0343	02037	1N3491R
1855-0425	03406	J304	1858-0074	02037	MPQ6100	1901-0346	02037	1N3209R
1855-0427	02883	M100	1858-0075	02037	MPQ3546	1901-0356	00046	1N647
1855-0430	03714	2N3685	1858-0076	02037	MPQ2907P	1901-0358	02037	MSD6101
1855-0431	03714	1VN5001ANF	1858-0077	02037	MPQ2222P	1901-0365	02037	MDA920A5
1855-0432	02883	3N163	1858-0081	03811	CT254	1901-0370	01973	1N4530
1855-0434	03714	IT500	1858-0082	02634	ULN-2804A	1901-0376	00046	1N3595
1855-0436	03406	U1897E	1858-0083	02634	TP60002	1901-0383	04583	1N2565
1855-0437	03406	J270	1858-0084	02634	ULN-2804A	1901-0398	04583	1N2148
1855-0440	09283	SD213	1858-0085	02634	UDN2580A	1901-0406	02037	1N3491
1855-0445	02883	J107	1858-0086	02037	MPQ6700	1901-0409	02037	1N4719
1855-0446	02883	J112	1858-0087	02037	MPQ3904	1901-0410	02037	1N4720
1855-0454	03038	IRF431	1858-0088	02037	MPQ7091	1901-0411	02037	MR1033A
1855-0478	02037	MTM15N50	1858-0089	02037	MC1411	1901-0412	02037	1N4722
1855-0484	03038	IRF9130	1858-0090	02037	MPQ6002	1901-0413	02037	MR1035A
1855-0488	03038	IRF610	1858-0091	02037	MPQ2484	1901-0414	02037	1N4723
1855-0489	03714	1VN5201TNF	1858-0092	02037	MPQ3799	1901-0421	02037	1N3208
1855-0490	02037	MTM10N10 SELECTED	1858-0093	02037	MPQ6700	1901-0422	02037	1N3211
1855-0492	03038	IRF530	1858-0094	02037	MPQ918	1901-0423	02037	1N5212
1855-0493	03038	IRF9530	1858-0095	00046	PTC900C	1901-0425	02037	1N3492
1855-0494	03038	IRF130	1858-0096	01921	CA3183E	1901-0426	02037	1N3493
1855-0495	02037	MTM10N15	1858-0097	02634	ULN-2023A	1901-0427	02037	1N3494
1855-0497	02037	MP2N90	1858-0099	02634	ULN-2003A(SEL)	1901-0428	02037	1N3659
1855-0498	03406	2N5397						

HPP N Mfr Desc.

1901-0431 02037 1N3662
 1901-0432 02037 1N3663
 1901-0461 00046 1N4148
 1901-0463 01973 1N4156
 1901-0465 03447 1N4389
 1901-0478 01973 1N3958
 1901-0490 02713 G1250-3
 1901-0491 02037 1N4724
 1901-0492 02037 1N5002
 1901-0493 02037 1N4725
 1901-0494 02037 1N5003
 1901-0495 02037 MR1120
 1901-0496 02037 MR1121
 1901-0497 02037 MR1122
 1901-0498 02037 MR1123
 1901-0499 02037 MR1124
 1901-0500 02037 MR1125
 1901-0511 06563 1N3889R
 1901-0519 00046 1N3070
 1901-0526 02664 SCAJ1
 1901-0531 03172 A2S097
 1901-0532 01973 A14P
 1901-0537 00046 1N645
 1901-0545 02062 5082-2805
 1901-0551 02037 MR1126
 1901-0552 02037 MR1128
 1901-0553 02037 MR1130
 1901-0557 01921 CA3019
 1901-0578 02037 1N1184R
 1901-0585 02037 MR1120R
 1901-0591 05131 ED6240
 1901-0592 02037 MR1121R
 1901-0620 00046 1N4607
 1901-0630 02037 MR1123R
 1901-0639 02062 5082-3080
 1901-0646 02664 S2F
 1901-0661 02037 MBD5550A
 1901-0662 02037 MR751
 1901-0663 02619 NS3000
 1901-0669 02664 S4F
 1901-0671 02037 1N3900
 1901-0672 02037 1N3890
 1901-0673 01973 A15A
 1901-0674 02664 3SF1
 1901-0678 02037 1N3899R
 1901-0684 02037 1N3890R
 1901-0685 02037 MR822
 1901-0690 01973 A114A
 1901-0691 01973 A115A
 1901-0692 02037 MR852
 1901-0693 02037 1N4934
 1901-0696 01973 A114D
 1901-0699 02664 3L05
 1901-0703 02682 ITT600
 1901-0704 02086 1N4002
 1901-0710 01698 1N914
 1901-0717 02037 1N3891
 1901-0719 02037 MR854
 1901-0726 02037 1N5823
 1901-0731 02682 1N4004G
 1901-0732 02237 1N4007
 1901-0734 02037 1N5818
 1901-0738 02158 50L200
 1901-0739 02158 G6R110H
 1901-0742 01921 1N3563
 1901-0743 01698 1N4004
 1901-0750 02664 1N5553
 1901-0751 02664 1N5554
 1901-0752 02664 1N3644
 1901-0754 01973 A15F
 1901-0756 02037 1N3881
 1901-0758 02037 1N5283
 1901-0759 02713 1N5406
 1901-0760 02037 MBI-101
 1901-0765 03627 1N5812
 1901-0767 02037 MR754
 1901-0768 05088 H617
 1901-0774 02037 1N3891R
 1901-0775 02037 1N5000
 1901-0781 02037 MR754
 1901-0782 02037 1N5821
 1901-0786 02664 1N6074
 1901-0787 02037 MR756
 1901-0788 02037 MR752
 1901-0789 02037 MR850
 1901-0790 00046 1N5418
 1901-0791 02037 1N3889
 1901-0824 02037 MR2004SR
 1901-0825 02037 MR2004S
 1901-0826 02062 5082-3900
 1901-0829 02037 MMDX6050
 1901-0831 02037 1N4937
 1901-0833 01691 1N6096
 1901-0835 01698 BY205-400
 1901-0837 01698 BY 205-100
 1901-0838 01921 1N5393
 1901-0839 02037 MR510
 1901-0841 02062 HSCB-1001
 1901-0842 02883 PAD5
 1901-0843 02037 1N5002R
 1901-0844 02037 MPN3401
 1901-0845 05088 VG-2X
 1901-0846 02037 1N5284
 1901-0847 02713 RGP-10M
 1901-0848 05088 V334X
 1901-0849 02713 1N4007
 1901-0858 03334 BYW29-50
 1901-0859 03038 40HQ030
 1901-0860 02037 MBR-3535
 1901-0861 02037 MBD101
 1901-0866 01973 MPD200
 1901-0868 02037 1N5817
 1901-0869 02037 1N5297
 1901-0870 02037 MR502
 1901-0875 02062 5082-3900

1901-0877 02037 MBR340P
 1901-0878 02664 SMFR30K
 1901-0879 01973 A115M
 1901-0881 02062 5082-0001
 1901-0882 05088 V336X
 1901-0883 02062 HSCB-3486
 1901-0885 02037 MR1-1400
 1901-0888 00046 1N3912
 1901-0889 02037 MR508
 1901-0890 02037 1N3893
 1901-0892 03038 20FQ040
 1901-0893 01691 DSR5500X
 1901-0894 01973 1N4608
 1901-0896 05131 RC60
 1901-0904 00046 UES804
 1901-0905 01973 DE111
 1901-0912 02037 MBR3545
 1901-0917 03287 1.5KE15A
 1901-0920 02062 5082-2755
 1901-0921 03038 80S4030
 1901-0952 00046 1N5802
 1901-0953 00046 UES601R
 1901-0954 02037 1N5285
 1901-0960 05088 VSK71
 1901-0961 00046 UES803R
 1901-0970 02037 MUR115
 1901-0974 05088 H2745-9
 1901-0975 02037 MFM3500
 1901-0976 05088 VSK540
 1901-0977 08852 MX1098
 1901-0978 02037 MR2400
 1901-0979 00046 T1D778
 1901-0981 02526 1N5653A
 1901-0982 02526 1N5651A
 1901-0983 02526 1N5641A
 1901-0984 00046 VX30
 1901-0985 02865 DDC 4565-96
 1901-0986 02037 MBR1060
 1901-0987 01921 RUR810
 1901-0988 02664 3SF2
 1901-0990 06078 16M40(SEL)
 1901-0995 05088 TG-10
 1901-0997 02713 RGP15M
 1901-0998 02664 SFR0
 1901-0999 02682 SD103C
 1901-1000 02037 MR504
 1901-1015 01698 1N4531
 1901-1034 01973 MPD400
 1901-1035 02037 MR881R
 1901-1037 02037 MR891R
 1901-1052 01973 1N4154
 1901-1058 02037 1N1186
 1901-1065 02713 1N4936
 1901-1067 02237 FDH444
 1901-1078 02037 MBD5300
 1901-1080 02037 1N5817 (RELEXED)
 1901-1081 02037 MR501
 1901-1085 02062 5082-2835
 1901-1086 02037 MR820
 1901-1087 02037 MR856
 1901-1091 01973 A115F
 1901-1092 01973 A114A
 1901-1095 02037 MBR1540
 1901-1098 02763 1N4150
 1901-1100 01691 SD-41
 1901-1101 02237 JANTKV 1N4148-1
 1901-1102 02062 HSCB-5316
 1901-1103 02664 1N5623
 1901-1105 05088 VB10X
 1901-1106 09914 UES-1106
 1901-1107 03172 A2X1501
 1901-1108 09914 UES1305
 1901-1109 09914 UES1306
 1901-1110 09914 UES1105
 1901-1111 09914 UES1303
 1901-1112 03334 BYV27-150
 1901-1113 01921 RUR810
 1901-1114 10881 BAL 74
 1901-1115 01691 DSR3800X
 1901-1116 01691 DSR3700X
 1901-1117 00746 1S5135
 1901-1118 06002 BYV27-100
 1901-1119 02062 5082-3042
 1901-1120 02037 1N5758
 1901-1121 02037 MR2406
 1901-1122 02037 MR862R
 1901-1123 02713 1N5408
 1901-1124 02634 THD4150
 1901-1126 10881 BYW80-100
 1901-1127 00046 UES803
 1901-1128 02037 1N5819
 1901-1129 02037 MR1105
 1901-1130 02037 MR860A
 1901-1131 02062 5082-2810
 1901-1132 02865 AAS021 SELECTED
 1901-1133 01973 1N5626
 1901-1134 03334 BAL83
 1901-1135 02713 GP30B
 1901-1136 03038 1QTQ045
 1901-1137 02037 MR2406F
 1901-1138 07766 BYV95C
 1901-1140 02713 FEB8
 1901-1141 03334 BYV27-200
 1901-1142 02037 MMBD6050
 1901-1143 02713 FE16F
 1901-1144 02037 BAV70
 1901-1145 02037 BAW56
 1901-1152 02037 MBR1645
 1901-1153 03038 16M260(SEL)
 1902-0003 02037 1N754
 1902-0018 02037 1N941
 1902-0021 02037 1N2922R
 1902-0027 02037 S21521-250
 1902-0028 02037 1N2999A
 1902-0030 02037 1N3028B
 1902-0033 01991 1N823

1902-0035 02037 1N3008B
 1902-0039 06563 1N1597A
 1902-0041 02237 1N751A
 1902-0042 02037 1N1608
 1902-0082 02037 1N1596A
 1902-0086 02688 1N1513
 1902-0088 02037 1N3003B
 1902-0089 02037 1N3004B
 1902-0094 02037 1N705A
 1902-0095 02037 1N746
 1902-0121 02763 CD36191
 1902-0156 02037 1N2986B
 1902-0157 02037 1N2620
 1902-0178 02037 1N3004RA
 1902-0183 02037 1N2995B
 1902-0245 02037 1N4099
 1902-0246 02037 1N4105
 1902-0517 02037 S211213-48
 1902-0522 02037 1N5340B
 1902-0526 02037 1N5305
 1902-0528 02037 1N5524D
 1902-0549 02037 1N5365A
 1902-0570 02688 D270302M
 1902-0584 02037 S2030590
 1902-0625 02037 1N829
 1902-0627 02037 1N5312
 1902-0630 02037 1N5236B
 1902-0631 02037 1N5351B
 1902-0632 02037 1N5354B
 1902-0640 02037 1N5847A
 1902-0643 02037 1N2979B
 1902-0645 02037 1N2997RB
 1902-0680 02037 1N827
 1902-0686 02037 1N825
 1902-0697 02237 JANTKV1N750A
 1902-0759 02037 1N2983B
 1902-0761 02037 1N821
 1902-0772 02037 1N935
 1902-0777 02037 1N825
 1902-0785 02037 1N936
 1902-0786 02037 1N937
 1902-0787 02037 1N938
 1902-0788 02037 1N3154
 1902-0789 02037 1N3155
 1902-0791 02037 1N942
 1902-0793 02037 1N944
 1902-0795 02037 1N922B
 1902-0796 02037 1N989B
 1902-0905 01691 LVA56A
 1902-0906 01691 LVA43A
 1902-0907 01691 LVA68A
 1902-0909 02037 1N2972A
 1902-0910 02037 1N2984RB
 1902-0916 02037 M25556
 1902-0918 02037 5M172S2
 1902-0919 02037 5M182S2
 1902-0920 02037 1N5345B
 1902-0923 02037 1N5337A
 1902-0924 02037 1N5927
 1902-0925 02037 1N4740A
 1902-0927 02037 1N5349
 1902-0931 02037 1N1202S5
 1902-0933 02037 1N5370B
 1902-0934 02037 1N5380B
 1902-0935 02526 1N5908
 1902-0941 02287 ICTE-12
 1902-0942 03406 LMI03H-5.1
 1902-0973 02037 JAN TKV 1N825
 1902-0976 02526 1.5SE18C
 1902-0977 02037 1N5352
 1902-0978 02037 1N5346
 1902-0980 02037 5M302S2
 1902-0981 02037 5M232S2
 1902-0982 02037 5M282S2
 1902-0983 01691 1N4621
 1902-0986 02037 1N6270A
 1902-0987 02037 1N2991
 1902-0988 02037 5M272S2
 1902-0989 02037 5M202S2
 1902-0990 02037 MZC5.6B2
 1902-0991 02803 1N4577
 1902-0993 03287 1.5KE7-5C
 1902-0994 02037 .4M8.221
 1902-0995 02037 1N5373B
 1902-0996 02037 1N5336B
 1902-0997 02037 JANTKV1N3020B
 1902-0998 02037 1N3001B
 1902-0999 02037 1N3993A
 1902-1000 02037 1N5366B
 1902-1170 02037 1N4101
 1902-1171 02037 1N4102
 1902-1172 02037 1N4103
 1902-1195 06563 1N1362
 1902-1199 06563 1N1604A
 1902-1205 02037 1N2979RB
 1902-1226 02037 1N3996A
 1902-1228 02037 1N2988RB
 1902-1232 02037 1N3997RA
 1902-1234 02037 1N4002A
 1902-1259 02037 1N5357B
 1902-1260 02037 1N5525C
 1902-1276 02037 1N2809B
 1902-1278 02037 1N5348B
 1902-1286 02037 1N5342B
 1902-1288 02037 1N5358B
 1902-1291 02037 1N5338B
 1902-1292 02037 1N5372B
 1902-1294 02037 1N5388A
 1902-1295 02883 CL4720
 1902-1297 02037 1N4561
 1902-1298 02037 1N2820
 1902-1323 02634 1N5857B
 1902-1332 02634 1N5851B
 1902-1336 02037 1N6001B
 1902-1338 02037 1N4557A
 1902-1340 02037 1N5355B

JDEC

Table with columns: JDEC (e.g., 1N4007, 1N4009), Mfr (e.g., 02713, 02037), HP P/N (e.g., 1901-0849, 1902-0245), and 1N5352 (e.g., 1N5354B, 1N5355B).

Table with columns: 202037, 1902-0977, 2N1027, 2N1038, 2N1121, 2N1131, 2N1143, 2N1183, 2N1183B, 2N1192, 2N1193, 2N1305, 2N1306, 2N1306, 2N1307, 2N1308, 2N1309, 2N1358, 2N1370, 2N1374, 2N1377, 2N1378, 2N1396, 2N1482, 2N1484, 2N1499A, 2N1500, 2N1501, 2N1516, 2N1516, 2N1523, 2N1605, 2N1605A, 2N1671A, 2N1671A, 2N1671B, 2N1671C, 2N169A, 2N169A, 2N1701, 2N1701, 2N174, 2N174, 2N1760, 2N1905, 2N1973, 2N1997, 2N2001, 2N2048, 2N2060, 2N2102, 2N2147, 2N2188, 2N2189, 2N2190, 2N2194, 2N2218, 2N2218A, 2N2219A, 2N2221, 2N2222, 2N2222A, 2N2260, 2N2369, 2N2405, 2N2430, 2N2432A, 2N2483, 2N2501, 2N2538, 2N2540, 2N2552, 2N2556, 2N2561, 2N2608, 2N2635, 2N2646, 2N2647, 2N2664, 2N2712, 2N2716, 2N2720, 2N2857, 2N2857, 2N2865, 2N2869, 2N2895, 2N2896, 2N2904, 2N2904A, 2N2905A, 2N2907, 2N2907A, 2N2913, 2N2920, 2N2925, 2N2944A, 2N2946A, 2N2958, 2N2972, 2N2996, 2N3013, 2N3014, 2N3019, 2N3053, 2N3053LV 2449, 2N3053S, 2N3054, 2N3054, 2N3055, 2N3119, 2N3134, 2N3227, 2N3232, 2N3244, 2N3250, 2N3250, 2N3251, 2N3261

Table with columns: 02619, 1853-0002, 01698, 1850-0178, 01973, 1851-0038, 01698, 1853-0019, 01698, 1850-0020, 01921, 1850-0064, 01921, 1850-0090, 02037, 1850-0131, 02037, 1850-0130, 01698, 1850-0404, 01698, 1851-0011, 01698, 1851-0025, 01698, 1850-0173, 01698, 1851-0037, 01698, 1850-0150, 01921, 1850-0065, 01698, 1850-0180, 01698, 1850-0170, 01698, 1850-0182, 01921, 1850-0074, 01921, 1854-0214, 01921, 1854-0235, 03571, 1850-0093, 02634, 1850-0051, 02619, 1850-0146, 03334, 1850-0003, 03334, 1850-0043, 05840, 1850-0194, 01698, 1851-0031, 01698, 1851-0034, 01973, 1855-0001, 01973, 1855-0021, 01973, 1855-0077, 01973, 1851-0006, 01973, 1851-0007, 01921, 1854-0062, 01921, 1854-0613, 02037, 1850-0058, 02783, 1850-0406, 01921, 1850-0114, 01698, 1854-0076, 01698, 1850-0113, 01698, 1850-0112, 01979, 1850-0105, 02037, 1854-0761, 01921, 1854-0067, 01921, 1850-0160, 01698, 1850-0166, 01698, 1850-0096, 01698, 1850-0103, 01698, 1854-0281, 02037, 1854-0053, 02037, 1854-0013, 02037, 1854-0637, 02037, 1854-0032, 02037, 1854-0210, 02682, 1854-0477, 04200, 1850-0055, 02237, 1854-0030, 01921, 1854-0352, 03334, 1851-0041, 01698, 1854-0557, 02237, 1854-0304, 02037, 1854-0211, 01698, 1854-0213, 02037, 1854-0786, 01698, 1850-0181, 2N2556, 1850-0076, 01698, 1850-0061, 03406, 1855-0297, 02037, 1850-0163, 01973, 1855-0010, 01973, 1855-0027, 01698, 1850-0409, 01973, 1854-0029, 01973, 1854-0044, 02037, 1854-0034, 01921, 1854-0048, 01921, 1854-0323, 01698, 1854-0031, 01921, 1850-0126, 02037, 1854-0527, 02037, 1854-0788, 01698, 1853-0013, 02037, 1853-0012, 02037, 1853-0314, 02037, 1853-0205, 02682, 1853-0281, 02037, 1854-0349, 02237, 1854-0792, 01973, 1854-0066, 01698, 1853-0327, 01698, 1853-0322, 02037, 1854-0036, 02037, 1854-0411, 06338, 1854-0267, 02037, 1854-0842, 02037, 1854-0263, 01921, 1854-0667, 03334, 1854-0090, 01921, 1854-0039, 01921, 1854-0072, 01921, 1854-0590, 01921, 1854-0063, 01921, 1854-0056, 02037, 1853-0006, 02037, 1854-0260, 02037, 1854-0084, 02037, 1853-0384, 02037, 1853-0008, 02037, 1853-0046, 02037, 1853-0007, 01921, 1854-0301

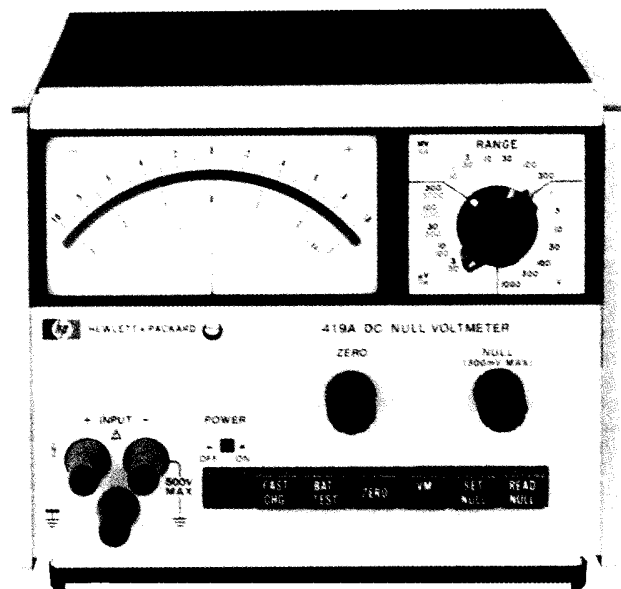
JDEC	Mfr	HP P/N						
TIP140	01698	1854-0663	TN-4030-J252	05-06	1853-0551	V392A1	01973	0837-0278
TG-10	05088	1901-0995	TND908	02634	1906-0275	V430MA3A	01973	0837-0196
THD4150	02634	1901-1124	TP6002	02634	1858-0083	V47MA2B	01973	0837-0243
TID130	01698	1906-0202	U1897E	03406	1855-0436	V56MA2B	01973	0837-0285
TIP 115	01698	1853-0377	U310	02883	1855-0530	VA114	02569	0122-0008
TIP 141	01698	1854-0763	U310 (SELECTED)	02037	1855-0235	VA126	02569	0122-0031
TIP-122	01698	1854-0828	U311	02883	1855-0519	VB10X	05088	1901-1105
TIP-126	01698	1853-0424	U440	02883	1855-0573	VCR2N	02883	1855-0265
TIP-127	01698	1853-0468	UC310	02037	1855-0552	VCR3P	02883	1855-0205
TIP-34	01698	1853-0350	UDN2580A	02634	1858-0085	VE48	05088	1906-0006
TIP-35A	01698	1853-0593	UES 2402	00046	1906-0262	VG-2X	05088	1901-0845
TIP-41	01698	1854-0625	UES-1106	09914	1901-1106	VH148	05088	1906-0052
TIP100	02037	1854-0840	UES1105	09914	1901-1110	VHE2402A	05088	1906-0270
TIP102	01698	1854-0970	UES1303	09914	1901-1111	VJ148X	05088	1906-0079
TIP105	02037	1853-0463	UES1305	09914	1901-1108	VJ848TT	05088	1906-0085
TIP106	01698	1853-0454	UES1306	09914	1901-1109	VK248	05088	1906-0205
TIP107	02037	1853-0490	UES2605	00046	1906-0277	VKP 248	05088	1906-0264
TIP110	01698	1854-0670	UES601R	00046	1901-0953	VL447	05088	1906-0216
TIP112	02037	1854-1023	UES803	00046	1901-1127	VM28X	05088	1906-0289
TIP140	02037	1854-0880	UES803R	00046	1901-0961	VMP-1	02883	1855-0263
TIP142	02037	1854-0985	UES804	00046	1901-0904	VNO104N3	02883	1855-0546
TIP145	02037	1853-0498	ULM-2003A	02634	1858-0047	VNO300L	02883	1855-0555
TIP32C	03406	1853-0537	ULM-2003A (SEL)	02634	1858-0099	VNO300M	02883	1855-0525
TIP36	01698	1853-0453	ULM-2004A	02634	1858-0061	VN10KE	02883	1855-0545
TIP41A	01698	1854-0456	ULM-2023A	02634	1858-0097	VN10KM	02883	1855-0423
TIP41C	02037	1854-0799	ULM-2033A	02634	1858-0067	VN10LE	02883	1855-0560
TIP41C (SELECTED)	02037	1854-0967	ULM-2803A	02634	1858-0069	VN2222L	02883	1855-0556
TIP42	01698	1853-0356	ULM-2804A	02634	1858-0082	VN66AF	02883	1855-0275
TIP42A	01698	1853-0234	ULM-2804A	02634	1858-0082	VPO300L	02883	1855-0550
TIP42C	02037	1853-0431	ULM-2805A	02634	1858-0084	VPO300M	02883	1855-0526
TIP47	02037	1854-0838	ULM-2813A	02634	1858-0073	VS148	05088	1906-0240
TIP51	01698	1854-0806	ULM-2815A-2	02634	1858-0072	VSK12	05088	1906-0263
TIP62	01698	1854-0982	ULN2082A	02634	1858-0037	VSK231	05088	1906-0278
TIP647	01698	1853-0543	USD 715C	00046	1906-0265	VSK304OT	05088	1906-0238
TIP75B	01698	1854-0803	V120MA1A	01973	0837-0273	VSK540	05088	1901-0976
TIPL753A	01698	1854-0960	V120ZA6	01973	0837-0292	VSK71	05088	1901-0960
TIR101B	01698	1906-0213	V275LA20A	01973	0837-0261	VX30	00046	1901-0984
TIR201B	01698	1906-0214	V300LA4	01973	0837-0268	W02M	02713	1906-0256
TIS-149	01698	1853-0464	V334X	05088	1901-0848	X45H281	01973	1853-0363
			V336X	05088	1901-0882	ZSK533	00039	1855-0571

Safety-Related Service Notes

Service Notes from HP relating to personal safety and possible equipment damage are of vital importance to our customers. To make you more aware of these important notes, they are printed on paper with a red border, and the service note number has a "-S" suffix. In order to make you immediately aware of any potential safety problems, we are highlighting safety-related service notes here with a brief description of each problem. Also, in order to draw your attention to safety-related service notes on the service note order form at the back of *Bench Briefs*, each appropriate number is highlighted by being printed in color.

HP 419A DC Null Voltmeter

Some older 419A Voltmeters may have a potential shock hazard. If the instrument is floated above ground, control shafts (and control knob set screws) on the NULL and ZERO pots, and the RANGE switch are at the same potential as the - (minus) input terminal



Checking For Isolation

1. With all power removed from the 419A and the line switch off, connect one lead of an ohmmeter to the - (minus) input terminal.
2. Set the ohmmeter on the 10hm range.
3. Connect the other ohmmeter lead to the set screws on the NULL pot, ZERO pot, and RANGE switch one at a time and check for continuity.

4. The ohmmeter should read infinity. If it shows continuity instead, HP recommends that modification kit HP P/N 00419-69500 be installed.

Please order service note 419-7C-S for more details.

5342A Frequency Counter

5342A Counters with serial numbers 2317A07600 through 2317A07800 may

JDEC

Mfr. HP P/N

Table with 3 columns: JDEC, Mfr., HP P/N. It lists various part numbers and their corresponding manufacturer and HP part numbers. The table is organized into two columns of data.

UES-1106	09914	1901-1106	USD 745C	00046	1906-0265	VN10KE	02883	1855-0545
UES1105	09914	1901-1110	USD840	00046	1901-1218	VN10KM	02883	1855-0423
UES1303	09914	1901-1111	USD945	00046	1901-1156	VN10LE	02883	1855-0560
UES1305	09914	1901-1108	V334X	05088	1901-0848	VN2222L	02883	1855-0556
UES1306	09914	1901-1109	V336X	05088	1901-0882	VN2222L	02883	1855-0598
UES2600R	00046	1906-0254	VB10X	02883	1855-0265	VN66AD	02883	1855-0724
UES2603	00046	1906-0304	VCR2M	05088	1906-0006	VN66AF	02883	1855-0275
UES2605	00046	1906-0277	VCR3P	05088	1901-1105	VP0300L	02883	1855-0550
UES601R	00046	1901-0953	VE48	05088	1901-0845	VP0300L	02883	1855-0686
UES803	00046	1901-1127	VG-2X	05088	1906-0052	VP0300M	02883	1855-0526
UES803R	00046	1901-0961	VH148	05088	1901-1157	VP1008B	02883	1855-0722
UES804	00046	1901-0904	VHE140A	05088	1906-0270	VP1204N2	07221	1855-0649
UF4004	02713	1901-1149	VHE240A	05088	1906-0270	VQ1000J	02883	1855-0591
ULN-2003A	04200	1858-0047	VJ148X	05088	1906-0301	VQ1001J	02883	1858-0116
ULN-2003A(SEL)	04200	1858-0099	VJ48	05088	1906-0079	VQ1001P	02883	1855-0585
ULN-2004A	04200	1858-0061	VJ848	05088	1906-0309	VQ1006P	02883	1855-0620
ULN-2023A	04200	1858-0097	VJ848TT	05088	1906-0085	VQ2001P	02883	1855-0650
ULN-2033A	04200	1858-0067	VK248	05088	1906-0205	VSK18	05088	1906-0240
ULN-2803A	04200	1858-0069	VL447	05088	1906-0264	VSK12	05088	1906-0263
ULN-2804A	04200	1858-0082	VM28X	05088	1906-0216	VSK231	05088	1906-0278
ULN-2804A	04200	1858-0084	VMP-1	05088	1906-0289	VSK304OT	05088	1906-0238
ULN-2805A	04200	1858-0073	VN01-04H3	02883	1855-0263	VSK530	05088	1901-1220
ULN-2813A	04200	1858-0072	VN0106H6	07221	1855-0546	VSK530	05088	1901-1220
ULN-2815A-2	04200	1858-0065	VN0300L	07221	1858-0105	VSK71	05088	1901-0976
ULN2003D	02910	1858-0104	VN0300M	02883	1855-0555	VX30	05088	1901-0960
ULN20082A	04200	1858-0037	VN0300M	02883	1855-0525	W42N	00046	1901-0984
ULQ-2823A	04200	1858-0121	VN0300M	02883	1855-0582	X58281	02713	1906-0256
ULQ2804A	04200	1858-0108	VN0610L	02883	1855-0684	ZSK533	04550	1853-0361
							00039	1855-0571

Reader's Comment

Irv Barditch, of Baltimore Maryland, requested clarification on how the Rotary Pulse Generator, described in the previous 2nd Quarter issue of *Bench Briefs*, actually determined rotational direction. Figure 1 and the timing diagram did not clearly show how the RPG determined direction, and the text stated only that, "The shaft encoder was designed such that A and B transitions were always shifted by 90 degrees."

The fundamental Rotary Pulse Generator I described is shown in Figure 2 as an artist's conception. It contains a light source, a light shield with two windows a precise distance apart, a round disc with slots of equal size and spacing (sometimes called a shutter), and two phototransistors. The shield is in a fixed position between the light source and rotating disc, which is attached to the knob. The phototransistors are lined up behind the shutter and in line with their respective windows in the shield. (We'll call them windows A and B.) The windows are offset so that as the disc rotates between the shield and phototransistors, light shines directly through one window first, through the disc and onto one phototransistor. So, as an example, when you rotate the shaft counterclockwise, light shines through window B, the shutter and onto phototransistor Q1. Q1 conducts and turns on Q2, which causes the Schmitt trigger output B to go high. A moment later the shutter's rotation allows light to pass through from window A and shine on phototransistor Q3, which causes output A to go high. As the shutter continues CCW, the light is cut off first from

Q1 causing output B to go low, then Q3 causing output A to go low.

Therefore, as the shaft is rotated CCW, Q1 conducts first, then Q3 conducts. Then Q1 turns off followed by Q3. When you rotate the shaft

clockwise, Q3 conducts first followed by Q1 and so on. The spacing between the windows in the light shield and the alignment of the shutter to these windows determines the 90 degree difference in output transitions. □

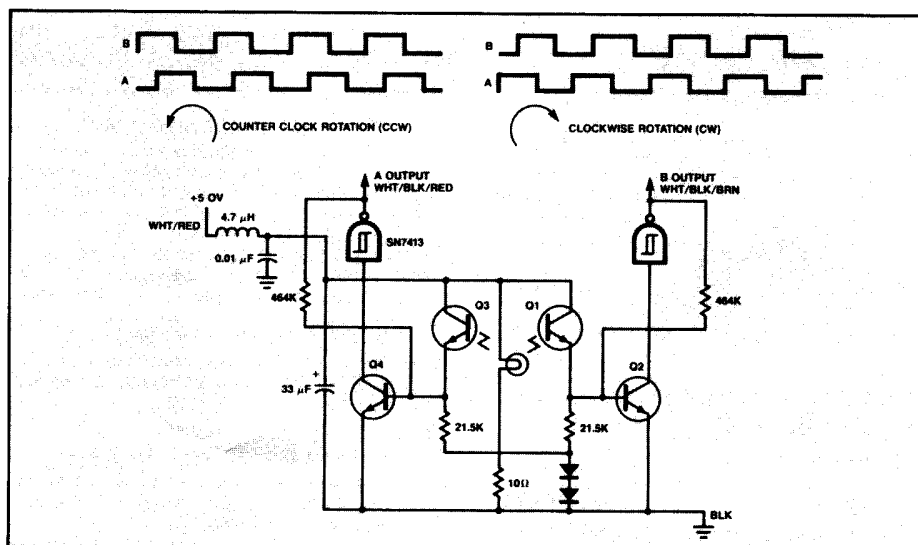


Figure 1

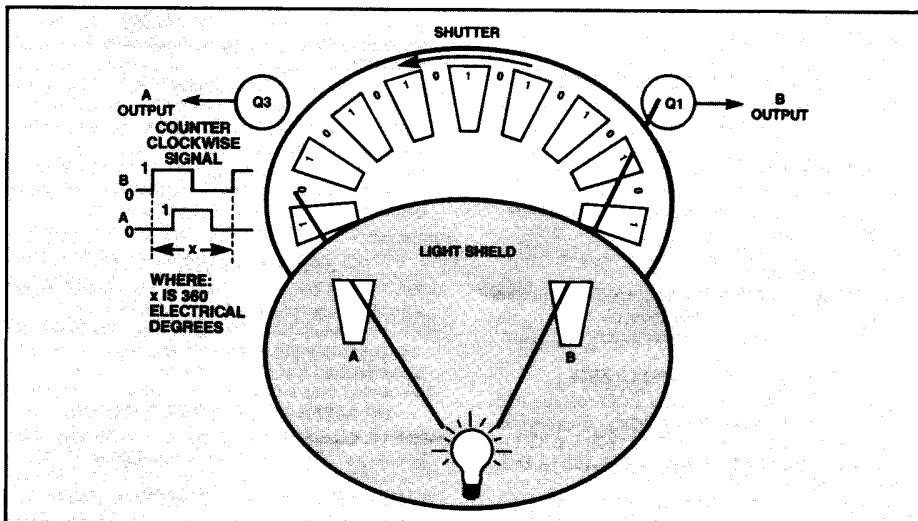


Figure 2

Replacement Part Cross Reference

When selecting replacement parts for your HP products, you may notice that many manuals list only an HP part number for the part, even though it appears that this part is manufactured by one of the large semiconductor manufacturers. Service personnel often ask why only HP part numbers are listed.

It is recommended that HP replacement parts be used to ensure that original performance of the product will be retained. While some parts used in HP instruments are identical to those that can be purchased at a local electronics distributor, many times parts will be selected for certain

characteristics, such as gain, bandwidth, capacitance, etc. There may also be slight mechanical differences, such as the shaping or length of leads. In some cases special quality checks are used to ensure that high reliability parts are used at the factory and at HP field offices. Therefore, we suggest obtaining replacement parts from HP to maintain the quality that you have paid for in your instrument.

There may be situations however, where HP replacement parts are not in stock and substituting parts will allow you to return the product to service immediately. In these cases it may be worthwhile to see if a substi-

tute part will work in the circuit. Perhaps an HP part could be ordered and installed at some later date.

To help you in these situations, here is a cross-reference of HP part numbers to JEDEC numbers for transistors and diodes.

NOTE

This is not a comprehensive list. Many semiconductors are made exclusively for Hewlett-Packard and there are no substitutes. If the part number you are looking for is not listed here, it does not have a JEDEC number and must be replaced with the same HP part number. □

Manufacturers Code Number Cross Reference

No. Manufacturer

00039 NEC ELECTRONICS INC
 00046 UNITRODE CORP
 00746 ROHM CORP
 01250 GTE SYLVANIA ELEK COMPONENTS GROUP
 01352 GERMANIUM POWER DEVICES CORP
 01590 PLESSEY SEMICONDUCTORS
 01691 TRW INC SEMICONDUCTOR DIV
 01698 TEXAS INSTRUMENTS INC
 01921 RCA CORP
 01973 GE CO SEMICONDUCTOR PROD DEPT
 01979 LANSDALE TRANSISTOR & ELEK INC
 01991 TRANSITRON ELECTRONIC CORP
 02037 MOTOROLA INC
 02062 HP DIV 05 MSD
 02086 WESTINGHOUSE ELEK CORP SEMICON DEPT
 02158 EDAL INDUSTRIES INC
 02180 PRECISION MONOLITHICS INC
 02237 FAIRCHILD SEMICONDUCTOR CORP
 02526 SEMICON INC
 02537 DIODES INC
 02569 CRYSTALONICS, DIV TELEDYNE
 02619 SOLITRON DEVICES INC (DIODES)
 02634 SPRAGUE ELECTRIC SEMICON DIV
 02664 SEMTECH CORP
 02682 IIT SEMICONDUCTORS DIV
 02688 MICROSEMI CORP
 02713 GENERAL INSTRUMENT CORP (DIODE)
 02763 TELEDYNE INDUSTRIES INC
 02783 INTL DIODE CORP
 02788 M/A-COM INC
 02803 CODI SEMICONDUCTOR
 02865 ALPHA INDUSTRIES INC
 02893 SILICONIX INC
 02910 SIGNETICS CORP
 03038 INTL RECTIFIER CORP
 03171 SOLITRON DEVICES INC
 03191 SOLITRON DEVICES INC (FETS, DIODES)
 03285 ANALOG DEVICES INC
 03287 GENERAL SEMICONDUCTOR IND INC
 03291 AVANTEK INC
 03334 NV PHILIPS ELCOMA
 03406 NATIONAL SEMICONDUCTOR CORP
 03447 HUGHES AIRCRAFT CO NEWP BEACH DIV
 03571 LANSDALE XSTR ELEK CO ADVANCE LINE
 03627 SOLID STATE DEVICES INC
 03714 INTERSIL INC
 03776 KERTRON INC
 03793 SILICON GENERAL INC

MTN VIEW
 LEXINGTON
 IRVINE
 WALTHAM
 ANDOVER
 SANTA ANA
 LAWDALE
 DALLAS
 NEW YORK
 AUBURN
 PHOENIX
 WAKEFIELD
 ROSELLE
 SAN JOSE
 DEPT. YOUNGWOOD
 EAST HAVEN
 SANTA CLARA
 CUPERTINO
 BURLINGTON
 CHATSWORTH
 CAMBRIDGE
 TAPPAN
 CONCORD
 NEWBURY PARK
 TUSTIN
 SCOTSDALE
 HICKSVILLE
 LOS ANGELES
 JERSEY CITY
 BURLINGTON
 LINDEN
 WORURN
 SANTA CLARA
 SUNNYVALE
 LOS ANGELES
 PALM BEACH
 SAN DIEGO
 NORWOOD
 TEMPE
 SANTA CLARA
 EINDHOVEN
 SANTA CLARA
 NEWPORT BEACH
 COLMAR
 LA MIRADA
 CUPERTINO
 RIVIERA BEACH
 SAN JOSE

CA US 9404350545
 MA US 021739N171
 CA US 927132M627
 MA 0215494151
 MA 0181053399
 CA 9270552648
 CA 9026001281
 TX US 7526501295
 NY US 101123L585
 NY US 1320103508
 AZ 850197E372
 MA 0188024046
 IL US 6019504713
 CA US 9430428480
 PA 1569705277
 CT 0651206288
 CA US 9505106665
 CA US 9501407263
 MA 0180311961
 CA 9131112060
 MA 0214012498
 NY 1098313327
 NH 0330113606
 CA 9132014099
 CA US 9268014433
 AZ US 8525214552
 NY US 1180214936
 CA US 9006715818
 NJ 0730416068
 MA US 0180316179
 NJ 07841016352
 MA 0180117540
 CA US 9505417856
 CA US 9408618324
 CA US 900699M011
 FL US 3340434677
 CA 9212322229
 MA US 0206224355
 AZ US 8528124444
 CA US 9505424539
 NE 0287625403
 CA US 9505227014
 CA 9266327832
 PA 1891532113
 CA 9063830043
 CA CA 9501432293
 FL 3340433904
 CA US 9513434333

No. Manufacturer

03799 HARRIS CORP
 03811 INTEL CORP
 04078 SGS-THOMSON MICROELECTRONICS INC
 04200 SPRAGUE ELECTRIC CO
 04486 IIT CORP
 04504 GENERAL INSTRUMENT CORP
 04507 TRW INC
 04550 GENERAL ELECTRIC CO
 04583 BRADLEY SEMICONDUCTOR CORP
 05027 LUCAS LEDEX INC
 05088 VARO INC
 05131 ELECTRONIC DEVICES INC
 05176 AMERICAN SHIZUKI CORP
 05695 M/A-COM DBA MICROWAVE ASSOC. INC
 05840 DELCO ELEK DIV OF GENL MOTORS CORP
 05942 PHILIPS ELECTRONIK INDUSTRIE GMBH
 05946 VALVO GMBH
 06002 R T C DIVISION COGECO
 06023 MULLARD LTD
 06078 INTL RECTIFIER LTD
 06121 SIEMENS AG
 06338 SGS ATES
 06344 FUJITSU MICROELECTRONICS INC
 06354 TOSHIBA CORP
 06418 HUGHES INTERNATIONAL LTD
 06563 SIEMENS CORP COMPONENTS GROUP
 06592 SGS-ATES (14)
 06632 SEMICONDUCTOR TECHNOLOGY INC
 07050 MICRO POWER SYSTEMS
 07221 SUPERTEX INC
 07766 LA RADIOTECHNIQUE COMPELEC
 08709 PANASONIC INDUSTRIAL CO
 08852 METELICS CORP
 09283 TOPAZ SEMICONDUCTOR
 09914 UNITRODE CORP
 10646 SANKEN ELECTRIC CO LTD
 10674 DIODE TRANSISTOR CO
 10743 HP DIV 57 SRIC
 10818 H-IBRAPE ELECTRONICA
 10881 THOMSON-CSF
 11021 SEMI DICE, INC
 11699 CENTRAL SEMICONDUCTOR CORP
 11708 THOMSON SEMICONDUCTORS
 11981 POWEREX
 12010 FUJITSU LTD
 12810 RECTRON
 12928 MICRO QUALITY SEMICONDUCTOR INC
 13127 LINEAR INTEGRATED SYSTEMS INC

MELBOURNE
 SANTA CLARA
 PHOENIX
 NEWINGTON
 NEW YORK
 CLIFTON
 CLEVELAND
 FAIRFIELD
 NEW HAVEN
 VANDALIA
 GARLAND
 YONKERS
 CANOGA PARK
 BURLINGTON
 KOKOMO
 HAMBURG
 HAMBURG
 PARIS
 MUNICH
 MILAN
 SANTA CLARA
 TOKYO
 GLENROTHES FIFE
 SCOTSDALE
 MILAN
 STUART
 SANTA CLARA
 SUNNYVALE
 VILLEURBANNE
 SECAUCUS
 SUNNYVALE
 SAN JOSE
 LEXINGTON
 TOKYO
 UNION
 SANTA ROSA
 COURBEVOIE
 SANTA CLARA
 HAUPPAUGE
 VELLIZ VILLACOU
 YOUNGWOOD
 TOKYO
 TAIPEI
 GARLAND
 FREMONT

FL US 3290134371
 CA US 9505434649
 AZ US 8502250088
 IA US 0217356289
 NY US 1002271468
 NJ US 0701271744
 OH US 4412471785
 CT US 0643072799
 CT 0650673506
 OH US 4537781840
 TX US 7504618546
 NY 1071083701
 CA US 9130484411
 MA 0180396341
 IN 5315499974
 GM 3500D2332
 GM 2000D2540
 FR
 EG K0004
 IR
 GM 8000
 IT A3500
 CA US 9505480167
 JP S0562
 SC K3444
 AZ 8525212954
 IT A3500
 FL 1135650891
 CA 9505054186
 CA 94086
 NJ US 07094
 CA US 95132
 MA
 JP
 NJ US
 CA
 BR
 FR
 CA
 NY US 11788
 FR 78140
 PA US 15697
 JP 100
 TN
 TX US 75042
 CA US 94539

Transistor/Diode Cross Reference – HP P/N to JEDEC No.

HPP/N	Mfr.	Desc.	HPP/N	Mfr.	Desc.	HPP/N	Mfr.	Desc.	HPP/N	Mfr.	Desc.
1820-0225	03406	LM103-2, 4	1853-0328	01921	2N6211	1853-0527	03334	BFQ-32	1853-0684	02037	MMBTA56
1820-0240	01921	CA3026	1853-0332	02037	MJE1091	1853-0529	02037	MD1130	1853-0685	02037	2N4126
1820-0352	01921	CA3018	1853-0334	02037	MJE1090	1853-0536	02037	MPS6534	1853-0686	02037	2N4261
1820-1804	02037	MPQ6842	1853-0336	02037	MPSA92	1853-0537	03406	TIP32C	1853-0687	03334	BST16
1821-0001	01921	CA3046	1853-0340	02037	2N5884	1853-0539	02037	MDS60	1853-0688	03334	BSR33
1821-0002	01921	CA3045	1853-0341	02037	MJE172	1853-0540	02037	2N5771	1853-0689	02037	MRF5211
1821-0006	02237	SH6501PC	1853-0342	01921	40831	1853-0542	02037	2N6491	1853-0690	03334	BD140
1850-0062	06632	2N404A	1853-0344	02037	2N5876	1853-0543	01698	TIP647	1853-0691	03334	BXC53AH
1850-0064	01921	2N1183	1853-0347	02037	MJE700	1853-0544	03334	BFQ51	1853-0692	02037	BC636
1850-0075	01979	2N779A	1853-0348	02037	MJ4645	1853-0545	10881	BCX18	1853-0694	02037	TIP147
1850-0076	01698	2N2556	1853-0349	01698	2N5333	1853-0547	02037	MJE2901T	1853-0697	02037	MJD127
1850-0093	03571	2N1499A	1853-0350	01698	TIP-34	1853-0548	02037	2N6420	1853-0698	06121	BFT93
1850-0099	06632	2N964	1853-0351	02037	2N6053	1853-0550	00746	Z8737	1853-0699	03334	PXT4403
1850-0126	01921	2N2869	1853-0353	02037	MPS-U95	1853-0551	03406	TN4030	1853-0701	02037	MJD350
1850-0137	01979	2N976	1853-0356	01698	TIP42	1853-0552	02037	MPSW56	1853-0703	06121	BC415C
1850-0150	05840	2N1358	1853-0360	02037	2N3799	1853-0553	03334	AA40	1853-0704	02037	MJD42C
1850-0151	01698	2N1309	1853-0363	04550	X45H281	1853-0557	02037	BD416	1853-0705	02037	MMBR536
1850-0154	01979	2N508A	1853-0364	02037	MJE701	1853-0558	02037	2N6554	1853-0706	02037	MMBT3640
1850-0156	01979	SA617	1853-0365	02037	2N6489	1853-0559	02037	MPS495	1853-0707	02037	2N3906-STYLE D
1850-0170	01698	2N1377	1853-0366	02237	BC321C-18	1853-0563	02037	2N3906(SEL)	1853-0708	03406	2N4917-J25Z
1850-0172	01698	2N2996	1853-0367	02037	MJE233	1853-0565	02037	2N4403	1853-0709	02037	TIP36C
1850-0173	01698	2N1307	1853-0369	02037	MJE371K	1853-0566	02037	MMBT455	1853-0710	10646	2SA1186
1850-0181	01698	2N2552	1853-0371	01921	2N6107	1853-0567	02037	MMBT3906	1853-0711	02037	MJE45H11-1
1850-0194	05840	2N1523	1853-0372	02037	MJE5195	1853-0568	02037	MMBT508T	1853-0712	03334	BSR60
1850-0406	02037	2N1760	1853-0377	01698	TIP 115	1853-0571	02037	2N2907A(SELECTED)	1853-0713	02037	MJ6503
1850-0441	06632	2N779A	1853-0378	02037	2N5986(SELECTED)	1853-0572	02037	MPSA76	1853-0716	02037	MPSA64-5
1851-0024	01698	2N388A	1853-0381	01698	2N6331	1853-0573	10881	2N6709	1853-0717	03334	BFT92R
1851-0025	01698	2N1306	1853-0383	02037	2N6296	1853-0574	02037	2N3468	1853-0718	02037	MRF5583
1851-0037	01698	2N1308	1853-0387	02037	MJ2500	1853-0576	02037	2N5416(SEL)	1854-0005	02237	2N708
1851-0041	03334	2N2430	1853-0391	02037	2N6051	1853-0578	00039	NE90115	1854-0009	02037	2N709
1853-0006	02037	2N3134	1853-0392	02037	2N3741	1853-0580	02037	MMBT4403	1854-0010	02037	2N834
1853-0007	02037	2N3251	1853-0394	02037	MJE 2370	1853-0581	02037	MMBT5401	1854-0011	02037	2N835
1853-0008	02037	2N3250	1853-0395	02037	MPS-A70	1853-0583	04507	LT5239	1854-0013	02037	2N2218A
1853-0012	02037	2N2904A	1853-0398	02037	MJE 210	1853-0584	02037	MJE5850	1854-0014	02037	2N2223
1853-0013	01698	2N2904	1853-0399	03406	2N3467	1853-0585	02037	2N5679	1854-0021	02237	2N918
1853-0014	02237	2N3304	1853-0404	01698	AS74260	1853-0587	02037	MPS4250A	1854-0022	02237	S17843
1853-0019	01698	2N1131	1853-0405	02037	2N4209	1853-0588	00039	2SA1226	1854-0026	01973	2N335
1853-0023	01698	2N3703	1853-0406	01921	2N6476	1853-0589	02037	MD4260	1854-0030	02237	2N2369
1853-0028	02037	2N3634	1853-0407	02037	2N5880	1853-0590	02037	2N4036	1854-0032	02037	2N2221
1853-0031	02037	2N3789	1853-0412	02037	MPSA65	1853-0594	02037	2N3808	1854-0033	01973	2N3391
1853-0036	02037	2N3906(SEL)	1853-0413	02037	2N6049	1853-0595	02037	D41D4	1854-0039	01921	2N3053S
1853-0043	02037	MPS 6523	1853-0414	02037	2N6423	1853-0597	02237	2N4917	1854-0048	01921	2N2857
1853-0045	01921	2N4036	1853-0416	02037	MPS-A64	1853-0599	03334	BCF70	1854-0053	02037	2N2218
1853-0051	01921	2N4037	1853-0417	02037	MJE 253	1853-0608	02037	MPSA55	1854-0057	01973	2N3855A
1853-0052	02037	2N3740	1853-0418	02037	2N6317	1853-0609	02037	MXT2907A	1854-0062	01921	2N1701
1853-0053	02037	2N5880	1853-0419	02037	2N4403	1853-0610	02037	MKR5583	1854-0063	01921	2N3055
1853-0057	02634	3N91	1853-0421	02037	2N4398	1853-0611	03334	BF569	1854-0066	01973	2N2925
1853-0058	02237	S32248	1853-0422	01698	2N4033	1853-0612	03334	BF793	1854-0067	01921	2N2102
1853-0059	02037	2N3791	1853-0423	02037	MPS U-60	1853-0613	02037	MXT3906	1854-0071	00746	CP4071
1853-0071	02037	2N3494	1853-0424	01698	TIP-126	1853-0614	02037	2C3906	1854-0072	01921	2N3054
1853-0072	02237	2N4034	1853-0425	02037	2N5883	1853-0616	03334	BFT92	1854-0079	01921	2N3439
1853-0081	02237	2N4258	1853-0428	02037	2N5684	1853-0617	02037	2N6298	1854-0084	02037	2N3232
1853-0083	02037	SD4753 (SELECTED)	1853-0429	02037	2N3762	1853-0620	02037	MMBR4957	1854-0086	05840	DTSA413
1853-0084	02037	2N4918	1853-0430	02037	2N4959	1853-0621	06354	2SA1302	1854-0090	03334	2N3053LV 2449
1853-0086	03406	2N508T	1853-0431	02037	TIP42C	1853-0622	00039	2SA1227A	1854-0092	03406	PK3563-5
1853-0087	01921	40394	1853-0436	02037	MJE170	1853-0624	00039	2SA1151	1854-0093	04550	2N3415
1853-0089	02237	2N4917	1853-0437	02037	2N6520	1853-0625	02037	MRF545	1854-0094	02037	MPS3646
1853-0204	02037	2N4920	1853-0439	01921	2N6248	1853-0626	02037	MPS2907A	1854-0095	01921	40346
1853-0205	02037	2N2907	1853-0440	02037	MM4018	1853-0629	00039	2SA1220	1854-0098	04550	2N3392
1853-0206	02237	2N4028	1853-0442	02037	2N3867	1853-0630	00039	2SD1288	1854-0210	02037	2N2222
1853-0212	02037	2N5194	1853-0447	02037	MJE253	1853-0631	00039	2SB965	1854-0211	02037	2N2501
1853-0213	02037	2N4236	1853-0448	02037	MPSH81	1853-0632	00039	2SA1227	1854-0213	01698	2N2538
1853-0217	02037	MPS-404A	1853-0449	02037	MPS-U95	1853-0633	00039	2SA985	1854-0214	01921	2N1482
1853-0218	03406	NS65098	1853-0450	02037	MJE371K(SELECTED)	1853-0634	02037	MJE371K	1854-0215	02037	2N3904
1853-0221	01921	2N5416	1853-0451	01698	2N3799	1853-0635	03714	TI130-T071	1854-0216	01921	2N3441
1853-0222	02037	2N4919	1853-0453	01698	TIP36A	1853-0636	03334	2SA812	1854-0217	01921	2N3442
1853-0223	02037	2N4902	1853-0454	01698	TIP106	1853-0637	02037	MMBT4260	1854-0218	01973	2N3393
1853-0224	01921	2N5415	1853-0456	03406	PN4888-5	1853-0638	02037	2N3638	1854-0219	01973	2N3663
1853-0234	01698	TIP42A	1853-0457	02037	2N5400	1853-0639	02037	MPSH81	1854-0220	02037	2N3959
1853-0236	02037	2N5193	1853-0458	02037	MJE251	1853-0640	02237	2N4917	1854-0222	02037	MD2252
1853-0244	02037	MPS3640	1853-0462	02037	2N3635	1853-0641	02237	PN4250-18	1854-0224	01921	40250
1853-0258	02237	2N4035	1853-0463	02037	TIP105	1853-0642	06338	SGS126	1854-0226	02634	2N4384
1853-0264	02037	2N5401	1853-0464	01698	TIS-149	1853-0643	02037	MJD117	1854-0233	01921	2N3866
1853-0269	02037	2N3809	1853-0468	02037	TIP-127	1853-0645	02037	MMBT4126	1854-0234	01921	2N3440
1853-0271	02037	2N4403	1853-0469	02037	2N6109	1853-0650	02037	2N4405	1854-0238	03406	2N3933
1853-0276	02037	MM3906	1853-0472	04550	D45H2	1853-0652	02037	MJE15031	1854-0242	01921	2N3262
1853-0277	01921	2N5954	1853-0476	02037	MPS-U92	1853-0654	01698	TIP32F	1854-0246	02037	SFS 233
1853-0281	02682	2N2907A	1853-0477	02037	JANTXV2N3251A	1853-0655	02037	MJD45H11	1854-0248	03191	2N4044
1853-0287	02037	2N3250	1853-0478	02037	2N6490	1853-0657	02037	MJE5852	1854-0252	02037	2N3713
1853-0290	02037	JTX2907A	1853-0479	04550	72006	1853-0659	02037	2N3906(SEL)	1854-0259	02037	2N3766
1853-0292	02037	2N3905	1853-0487	02037	2N6609	1853-0660	02037	MPSW51	1854-0260	02037	2N3227
1853-0293	02037	2N5583	1853-0488	02237	MPS4356	1853-0661	02037	2N6124	1854-0263	02037	2N3019
1853-0303	02037	2N5956	1853-0489	02037	MM4032	1853-0662	02037	MPSH54	1854-0264	02037	2N3715
1853-0305	02037	2N5875	1853-0490	02037	TIP107	1853-0663	02037	MD6002	1854-0267	06338	2N3013
1853-0308	02037	MM4645	1853-0493	03334	2N5415	1853-0664	02237	PN4250	1854-0270	02037	SFS 3627
1853-0											

Transistor/Diode Cross Reference – HP P/N to JEDEC No.

HPP/N	Mfr.	Desc.	HPP/N	Mfr.	Desc.	HP P/N	Mfr.	Desc.	HPP/N	Mfr.	Desc.
1854-0311	01921	2N4240	1854-0648	02037	2N6300	1854-0839	02037	2N6497	1854-1032	02037	MRF581
1854-0313	01921	2N3771	1854-0653	02037	MJE521K	1854-0840	02037	TIP100	1854-1033	02062	HXTR-3675
1854-0315	01991	2N3633	1854-0654	02037	MJE5192	1854-0842	02037	2N3014	1854-1035	02037	MD1132
1854-0323	01921	2N2857	1854-0659	02037	MJE180	1854-0845	02037	MJ11012	1854-1036	03334	BFR94
1854-0324	02037	2N3739	1854-0662	02037	2N6296	1854-0847	02037	MJEL2007	1854-1037	02037	MMBT3904
1854-0325	01921	2N3478	1854-0663	01698	TIP140	1854-0848	01691	2N6584	1854-1039	02037	2N4401
1854-0345	02037	2N5179	1854-0665	06023	BUS11	1854-0849	02037	MRFC515	1854-1040	03406	2N5088
1854-0347	02037	2N4923	1854-0667	01921	2N3053	1854-0851	02037	2N4428	1854-1041	06354	2SC2878
1854-0349	02037	2N2913	1854-0669	02037	2N6057	1854-0860	00039	2SC2334	1854-1042	02037	MRF571 (SEL)
1854-0352	01921	2N4205	1854-0670	01698	TIP110	1854-0861	02062	QXTR-6999	1854-1043	02037	2N5179 (SEL)
1854-0357	02037	SD2608 (SELECTED)	1854-0671	02037	2N6282	1854-0862	02062	HXTR-5002	1854-1044	00039	NE21935
1854-0361	02037	2N4239	1854-0679	02037	2N5885	1854-0863	02062	HXTR-2101	1854-1045	03334	BFR92 (SELECTED)
1854-0363	01921	2N5262	1854-0682	02037	MJE5191	1854-0864	02062	HXTR-6105	1854-1046	07050	MP312-78-69
1854-0365	02037	2N4410	1854-0687	01698	2N3725A	1854-0866	02037	MPS834	1854-1047	02037	MRF587
1854-0368	02037	2N5191	1854-0690	06632	ST3011	1854-0868	06592	BFR 36	1854-1048	02037	2N3904RLRA2
1854-0370	01921	2N5294	1854-0691	02037	MPS A18	1854-0869	03287	GX5220A	1854-1049	02037	BFR96
1854-0378	01921	2N5109	1854-0692	02037	MJE223	1854-0871	01921	2N6678	1854-1050	03334	BFR91A
1854-0382	01921	2N4348	1854-0697	02037	2N5886	1854-0872	04550	D44H11	1854-1051	02037	2N3772 (SEL)
1854-0383	01921	40313	1854-0698	02037	2N6294	1854-0873	03799	K44VH570	1854-1052	02037	MMBT5550
1854-0386	01921	2N5070	1854-0700	01698	TIP140	1854-0877	02037	MPS-U07	1854-1053	02037	MMBT2222A
1854-0388	02237	SE5055	1854-0701	02037	MJE2100	1854-0878	02062	HXTR-5104	1854-1054	03334	BFR219
1854-0389	02037	2N4922	1854-0705	10674	DTS-802	1854-0879	02037	MJE6043	1854-1055	03334	BFR93
1854-0392	02037	2N5088	1854-0707	02037	MJ4035	1854-0880	02037	TIP140	1854-1056	02037	MJ11000
1854-0397	01698	2N4966	1854-0708	01921	2N5757	1854-0881	11981	2N6290	1854-1058	02037	MJ13091
1854-0398	02037	2N5301	1854-0712	02180	MAT-01GH	1854-0883	02037	MM3904	1854-1061	02037	2N3904
1854-0399	02037	2N4912	1854-0715	01921	2N6354	1854-0884	01921	2N6488	1854-1062	02037	2N5681
1854-0409	02037	2N5210	1854-0716	11021	BFR90	1854-0886	02037	MJE3302	1854-1063	02037	BFR90
1854-0411	02037	2N2972	1854-0721	03334	BFR95	1854-0887	02037	MJ11016	1854-1064	02037	MPS001
1854-0418	02237	2N3563	1854-0723	03334	BFR98	1854-0889	02037	2N6499	1854-1066	00039	NE7316D
1854-0431	01921	2N5179	1854-0727	01921	2N6474	1854-0890	02037	MRF904	1854-1067	03291	AT-41435-5
1854-0432	02237	2N3646	1854-0730	02037	MPS6531	1854-0891	06023	BUX82	1854-1069	02037	TIP50
1854-0435	03334	A211	1854-0733	01921	2N3773	1854-0906	02037	MJ12010	1854-1071	02037	MJ16018
1854-0453	02037	2N5192	1854-0735	02037	MJE220	1854-0917	01921	2N6292	1854-1083	02037	MMBT5179
1854-0456	01698	TIP41A	1854-0736	02037	MJE5657	1854-0920	02037	MJE15030	1854-1084	02037	2N3904
1854-0467	02037	2N4401	1854-0737	01921	2N6477	1854-0929	02037	MMBT918	1854-1085	01921	2N5239
1854-0472	02037	MPS-A14	1854-0738	01921	2N6261	1854-0940	06344	2SC2429 (SEL)	1854-1086	02037	D40D4
1854-0474	02037	2N5551	1854-0739	02037	MJE200	1854-0941	02037	MJ12003	1854-1089	00039	NE85633
1854-0476	01921	2N3879	1854-0741	02037	2N6338	1854-0942	03334	BFR94	1854-1091	00039	NE02133L
1854-0477	02682	2N2222A	1854-0743	02037	2N5878	1854-0944	02062	HXTR-3101	1854-1092	02037	MRF962
1854-0478	02237	2N4046	1854-0746	02037	2N6339	1854-0946	00039	NE02135	1854-1093	02062	HXTR-3102
1854-0492	02037	MPS3643	1854-0747	05176	HP-4	1854-0948	02037	MJ10006	1854-1094	02037	MXT2222A
1854-0514	02037	MPS-U02	1854-0748	02037	2N2896	1854-0957	03714	ITL20A-T071	1854-1095	02037	MMBT2369
1854-0518	02037	2N5877	1854-0749	02037	MJE2361-T	1854-0960	01698	TIP1753A	1854-1100	02037	MCR5943
1854-0519	01921	2N3772	1854-0751	02237	2N5840	1854-0964	02037	MJ12004	1854-1101	02037	MXT3904
1854-0527	02037	2N2895	1854-0752	02037	MMCS2369	1854-0965	02037	MJ8505	1854-1102	02037	MMBT24
1854-0529	11699	CEN672	1854-0753	07050	MP318-52-62	1854-0967	02037	TIP41C (SELECTED)	1854-1107	02037	MRP965
1854-0540	02037	MM8006	1854-0754	02037	MJE244	1854-0968	02037	SJ7076	1854-1108	02037	MMBT901
1854-0547	01698	2N3725	1854-0755	01921	2N6254	1854-0969	02037	MJ12005	1854-1109	02180	MAT-02PH
1854-0548	02237	2N5963	1854-0756	02037	2N6315	1854-0970	01698	TIP102	1854-1110	03406	2N3904
1854-0556	02037	2N4237	1854-0758	02037	2N5427	1854-0971	02062	2N6741	1854-1111	00039	NE68135
1854-0557	01698	2N2432A	1854-0761	02037	2N2606	1854-0972	02037	BFR90	1854-1112	00039	2SC2718
1854-0560	02037	MPS A12	1854-0762	01921	2N5039	1854-0973	02037	MPS8098	1854-1113	00039	2SC2987A
1854-0566	01921	2N3771	1854-0763	01698	TIP 141	1854-0977	02037	MPS-A14	1854-1114	02037	MRP54
1854-0570	01921	2N5189	1854-0764	02037	MPS U-10	1854-0978	04550	GES3416	1854-1115	00039	2SC2690
1854-0575	02037	MPS-A42	1854-0765	01921	2N6292	1854-0979	02037	MPS2369	1854-1117	06354	2SC2851
1854-0576	01921	2N6258	1854-0766	02037	2N5428	1854-0980	02037	MRF961	1854-1118	00039	2SC2987
1854-0577	01921	2N6259	1854-0767	01921	2N6306	1854-0981	02037	MPS5179	1854-1119	00039	2SC2275
1854-0580	02037	MM8001	1854-0768	02037	MJE1661	1854-0982	01698	TIP642	1854-1120	03334	A400 (SEL)
1854-0581	02037	MJE800	1854-0769	02062	35821E	1854-0983	02037	MJ12005 (SELECTED)	1854-1121	02037	BD435
1854-0583	02037	MPS-A18	1854-0770	02037	2N3904 CHIP	1854-0984	02037	MJ16002 (SELECTED)	1854-1122	02037	2N6837
1854-0585	02037	MJE182	1854-0771	03406	2N4384 CHIP	1854-0985	02037	TIP142	1854-1123	02062	HXTR-5102
1854-0586	02037	2N5429	1854-0774	01921	2N6056	1854-0986	10881	BFR92	1854-1124	01921	2N3771
1854-0587	02037	MMT3960A	1854-0780	03334	BUS-12A	1854-0987	10881	BXC20	1854-1125	02037	MRP5711L
1854-0589	02037	MJ3772	1854-0784	02037	2N3866A	1854-0988	02037	2N3737	1854-1126	02037	2N4401
1854-0590	01921	2N3054	1854-0785	02037	2N6305	1854-0989	02037	MJ15003	1854-1127	02037	MJE521K
1854-0591	03334	BFR90	1854-0786	02037	2N2540	1854-0990	02037	MRP630	1854-1128	02037	TIP122
1854-0593	01698	TIP-35A	1854-0787	02037	2N6545	1854-0991	00746	2SD786	1854-1129	02037	2N5836
1854-0594	01698	TIP-33	1854-0792	02237	2N2920	1854-0992	03714	ITS1015 (SEL)	1854-1132	03334	2SC1623
1854-0596	02037	2N5428	1854-0794	02037	MJE243	1854-0993	02037	MPSH10	1854-1133	02037	2N6259
1854-0597	02037	2N5943	1854-0795	02037	MPSH10	1854-0994	02037	2N5179 (SEL)	1854-1134	02037	MJE13005
1854-0600	02037	2N4233A	1854-0798	02037	MPS-U45	1854-0996	02037	MJE13003	1854-1136	00746	2SD786
1854-0611	02037	2N6055	1854-0799	02037	TIP41C	1854-0997	02037	MPSW06	1854-1137	02037	MMBT5088T1
1854-0613	01921	2N1701	1854-0802	02037	MM5262	1854-0998	04550	D42C11N	1854-1138	02037	MMBT4124T1
1854-0617	01921	40852	1854-0803	01698	TIP75B	1854-0999	01921	2N3250	1854-1139	02037	MPSH10
1854-0618	02037	MJ3000	1854-0804	03038	IR5062	1854-1002	00039	NE64535	1854-1140	02037	MPS6543
1854-0619	03285	AD814	1854-0805	02037	BD139	1854-1003	06354	2SC2876	1854-1141	02037	MPS3646
1854-0621	01698	BF258	1854-0806	01698	TIP51	1854-1004	02037	BD415	1854-1142	02037	MRP571
1854-0623	02037	2N6306	1854-0808	02037	MJE241	1854-1005</					

Transistor/Diode Cross Reference – HP P/N to JEDEC No.

HP P/N	Mfr.	Desc.	HP P/N	Mfr.	Desc.	HP P/N	Mfr.	Desc.	HP P/N	Mfr.	Desc.
1854-1170	00039	NEL2301-53	1855-0272	02037	MFE3004	1855-0527	02037	MIM2P50	1855-0675	02037	MFF6660
1854-1172	02037	MJD47	1855-0274	02883	E232	1855-0529	03406	PF5101 (SELECTED)	1855-0676	01921	RFP10M15
1854-1173	02037	MJD44H11	1855-0275	02883	VN66AFD	1855-0530	02883	U310	1855-0677	01921	RFP12N08
1854-1177	02037	MRF586	1855-0276	02037	2N4416A	1855-0531	03038	IRF120	1855-0678	01921	RFP2N08L
1854-1178	02037	2N3904 (SEL)	1855-0277	02037	2N5268	1855-0534	01921	40673	1855-0679	03334	BUR456-800A
1854-1179	02037	MPSA18RLRA1	1855-0278	03714	2N5116	1855-0535	03714	IT1750	1855-0680	02037	MMBF4391
1854-1180	04200	2N3417	1855-0279	03714	3N190	1855-0536	03038	IRF440	1855-0681	02037	MMBF4310
1854-1181	02180	MAT-02EH	1855-0280	02883	E107	1855-0539	06121	BUZ24	1855-0682	03038	IRFP450
1854-1182	03334	BUS12	1855-0283	02763	2N5396	1855-0540	03406	2N5115 (SEL)	1855-0683	03038	IRF222
1854-1183	03334	BUS11A	1855-0285	01698	2N5246	1855-0542	02037	MTP12N06	1855-0684	02883	VN0610L
1854-1184	02037	MRF581 (MOD)	1855-0286	02883	2N3966	1855-0545	02883	VN10KE	1855-0686	02883	VP0300L (SEL)
1854-1186	02037	2N4264	1855-0288	02883	2N5556	1855-0546	07221	VN0104N3	1855-0687	02037	SFF938
1854-1187	00746	2SD1378	1855-0289	02883	3177	1855-0548	06121	BUZ71A	1855-0688	02037	2N5245
1854-1188	03406	MMBT4401	1855-0292	03406	2N5432	1855-0549	03038	IRF512	1855-0689	02037	2N5461
1854-1189	02062	QXTR-7037	1855-0293	03406	2N6658	1855-0550	02883	VP0300L (SEL)	1855-0690	02037	2N5245 (SEL)
1854-1190	02037	MJD112	1855-0298	02883	J2472	1855-0551	03038	IRFD420	1855-0691	04550	IRFP250
1854-1196	01590	SL360G	1855-0301	02883	2N5198	1855-0553	06121	BUZ10	1855-0693	03406	F5N011A
1854-1199	03406	LM3948M	1855-0305	02883	2N4117A	1855-0554	03406	J304 (SEL)	1855-0694	03038	IRF240
1854-1200	02037	MMBT406	1855-0306	01921	3N128	1855-0555	02883	VN0300L	1855-0695	02037	MMBF4393 (SEL)
1854-1201	02037	MMBR5031	1855-0309	02037	2N4352	1855-0556	02883	VN2222L	1855-0696	02037	BS170
1854-1202	02037	MPSA27	1855-0314	04550	2N6027	1855-0557	09283	SD306 (SEL)	1855-0697	02037	MIM6G06
1854-1203	03334	BST39	1855-0322	03334	2N5105	1855-0560	02883	M101E	1855-0705	02037	MIM3M35
1854-1204	02037	MJE5740	1855-0323	03714	3N172	1855-0561	03038	IRF510	1855-0708	01921	RFF4N06L
1854-1206	03334	BSR43	1855-0327	01698	2N4416	1855-0562	03038	IRF250	1855-0709	02883	IRFD120
1854-1207	02037	2N5088	1855-0327	01698	2N4416	1855-0563	02037	MTP12M20	1855-0711	03038	IRFP210
1854-1208	03334	BCX568H	1855-0332	01921	3N138	1855-0565	01921	RFP10M12	1855-0712	03038	IRFD210
1854-1209	03291	AT-60586	1855-0341	02883	2N4338	1855-0567	03038	IRFD0123	1855-0714	03799	HMF-0620
1854-1215	02037	MJD122	1855-0346	04550	2N6028	1855-0568	06121	BUZ71A	1855-0715	02037	MMBF4393
1854-1217	06121	BFR93A	1855-0371	02037	2N4092	1855-0569	00039	NE71000	1855-0719	03799	HMF-0310-100
1854-1218	03334	PXT4401	1855-0379	02037	2N5474	1855-0570	00039	2SK523	1855-0720	03921	AT-8160
1854-1219	02037	MJH16010A	1855-0380	02037	2N4351	1855-0571	00039	2SK533	1855-0721	02037	2N5266
1854-1221	02037	MRF0211	1855-0386	02037	2N4392	1855-0572	03038	IRF523	1855-0722	02883	VP1008B
1854-1222	02037	MJH16012	1855-0387	02037	2N3993	1855-0573	02883	U440	1855-0723	02883	SD210DE
1854-1223	02037	MJE8501	1855-0390	03714	2N3382	1855-0574	02883	J175	1855-0724	02883	VN66AD
1854-1225	02037	MJE8511	1855-0393	01698	2N3330	1855-0575	02883	2N6660	1855-0725	02037	MTP3055E
1854-1226	02037	MRF581A	1855-0395	02883	FN2645	1855-0580	02883	IRFF123	1855-0726	03038	IRFP920
1854-1227	02037	MRF9411	1855-0396	03714	3N190	1855-0581	03038	IRF521	1855-0727	02037	2N7000
1854-1228	02037	MFS222	1855-0398	02883	2N5519	1855-0582	02883	VN0300M	1855-0729	02883	IRFD123
1854-1231	02037	MMBR539	1855-0400	02883	2N5905	1855-0585	02883	VQ1001P	1855-0731	03406	MMBF43175
1854-1232	02037	2N3904-STYLE D	1855-0402	02883	2N5115	1855-0586	03038	IRF523	1855-0732	03038	IRFR110
1854-1233	02037	TIP305	1855-0406	03714	IT110	1855-0587	03038	IRF9521	1855-0733	02883	SST177
1854-1234	03334	BFQ65	1855-0413	03406	2N5116	1855-0588	03038	IRF9513	1855-0734	02883	2N7002
1854-1236	02037	MJD44H11-1	1855-0414	02883	2N4393	1855-0589	03038	IRF513	1855-0735	03038	IRC530
1854-1237	03406	D40N1	1855-0420	02883	2N4391	1855-0590	02037	IRF540 (SEL)	1855-0739	02883	MSY11
1854-1238	02062	HXTR-3001	1855-0421	02883	2N5114	1855-0591	02883	VQ1000J	1855-0744	05946	BST82
1854-1243	03334	BFR93R	1855-0423	03406	J108	1855-0592	03038	IRF533	1855-0746	03406	MMBF43176
1854-1245	02037	2N2221A	1855-0425	03406	J304	1855-0593	02037	MIM12N06	1855-0747	02037	SFF819-2
1854-1246	02037	MMBR571	1855-0427	02883	M100	1855-0594	02037	MFF960	1855-0748	03038	IRFR9020
1854-1247	03334	BFR92R	1855-0430	03714	2N3685	1855-0595	01921	RFL1N08L	1855-0749	03038	IRFR210
1854-1248	02037	MMBT5551L	1855-0431	03714	IVN5001ANF	1855-0598	02883	VN2222LL	1855-0750	06121	BSS123
1854-1251	02180	SSM-2210S	1855-0432	02883	3N163	1855-0606	02037	MTP5N40	1855-0751	02883	VN0808M
1854-1252	02037	MPS3066	1855-0434	03714	IT500	1855-0607	02037	MTP4M50	1855-0752	03406	MMBF4392
1854-1253	02037	MRF5943	1855-0436	03406	UI897E	1855-0608	02037	MTP3M60	1855-0753	03406	MMBF5459
1854-1254	03334	BU505	1855-0437	03406	J270	1855-0614	02883	2N6659	1855-0754	02037	MFE930
1854-1255	02037	MM3007	1855-0440	09283	SD213	1855-0617	01921	RFP8P08	1855-0755	03038	IRFP140
1855-0001	01973	2N1671A	1855-0442	01973	ITS4066	1855-0619	01921	RFL1N08L	1855-0756	03038	IRFP9140
1855-0005	02763	2N3436	1855-0445	02883	J107	1855-0620	02883	VQ1006P	1855-0758	03038	IRFR9120
1855-0010	04550	2N2646	1855-0446	02883	J112	1855-0621	01921	RFP6P08	1855-0759	03038	IRFR120
1855-0020	02037	SFE793	1855-0454	03038	IRF431	1855-0622	03038	IRF521	1855-0760	07221	M1204N2
1855-0021	01973	2N1671B	1855-0461	03038	IRF520	1855-0623	01921	RFP5P12	1855-0761	06121	BSS87
1855-0027	04550	2N2647	1855-0463	03406	2N4119A	1855-0625	03714	IT110	1855-0763	02037	MTP12P05
1855-0038	02763	2N3922	1855-0478	02037	MIM15N50	1855-0629	01921	RFP15N05L	1855-0764	02037	MMBF4310T1
1855-0052	02237	2N4360	1855-0480	02037	MMBF4416L	1855-0630	02883	2N4391	1855-0766	06121	BUZ90
1855-0053	03406	NSID5292SF52064	1855-0484	03038	IRF9130	1855-0631	03038	IRF740	1855-0767	02037	MTH8N60
1855-0056	02237	2N4342	1855-0488	03038	IRF610	1855-0632	02037	2N4860	1855-0768	06121	BSS84
1855-0065	01698	2N4891	1855-0489	03714	IVN5201TNF	1855-0635	02883	U401	1855-0769	00039	NE71084-08
1855-0071	02569	2N5544	1855-0490	02037	MIM10N10 SELECTED	1855-0636	00039	NE71084-06	1855-0773	03038	IRFR010
1855-0077	01973	2N1671C	1855-0492	03038	IRF530	1855-0637	00039	NE800199L	1855-0774	03038	IRFR9210
1855-0096	02037	2N5485 (SEL)	1855-0493	03038	IRF9530	1855-0639	02883	U443	1855-0775	03038	IRF045
1855-0098	03714	IT3700	1855-0494	03038	IRF130	1855-0640	03334	BFT46	1855-0776	02037	MRD5N05-1
1855-0099	02037	2N4853	1855-0495	02037	MIM10N15	1855-0641	03038	IRF612	1855-0777	03038	IRFB200
1855-0205	02883	VCR3P	1855-0497	02037	MTP2N90	1855-0645	03334	BUZ11	1855-0778	02037	MFD4P05-1
1855-0206	02883	E111	1855-0498	03406	2N5397	1855-0646	03038	IRFF131	1855-0779	06121	BSS88
1855-0207	03406	2N3955	1855-0499	03038	IRF9531	1855-0647	02883	SD210DE	1855-0781	03038	IRFBE20-003
1855-0208	02883	2N4117	1855-0500	03038	IRFD9120	1855-0649	07221	VP1204N2	1855-0782	02037	MFDLCN05E-1
1855-0213	03406	2N5912	1855-0502	03038	IRFD110	1855-0650	02883	VQ2001P	1855-0783	02037	MTP10N15L
1855-0215	09283	SD211DE (SELECTED)	1855-0504	03038	IRF530	1855-0651	02037	MFG960C	1855-0784	02037	MFD4P06-1
1855-0224	01698	2N3824	1855-0507	03038	2N5912	1855-0653	02883	2N4391 (CHIP)	1855-0785	02883	SST5461
1855-0232	02883	2N5565	1855-0508	03038	IRF150	1855-0659	02883	DW2094	1855-0786	03038	IRFAC2-003
1855-0235	02037	U310 (SELECTED)	1855-0509	03038	IRF0520	1855-0660	02037	MTP15N05E	1855-0787	02037	MTH3M50
1855-0241	02910	SD215	1855-0510	03038	IRF830	1855-0661	03714	2N5911/D	1855-0788	02883	U431
1855-0244	03406	2N4857	1855-0512	01921	RCA9212A	1855-0662	10743	10G2-4032	1855-0789	02037	2N3994
1855-0250	01698	3N215	1855-0515	07050	MP833-1004	1855-0664	02037	MTP1M100	1855-0792	03038	IRFP150
1855-0251	02037	2N6659	1855-0517	03038	IRF9532	1855-0665	01921	RFP2M12L	1855-0793	02883	J2976 TR-6
1855-0255	02037	2N5486	1855-0518	03038	IRFD110	1855-0666	03334	BF880	1855-0794	00039	NE7

Transistor/Diode Cross Reference – HP P/N to JEDEC No.

HP P/N	Mfr.	Desc.	HP P/N	Mfr.	Desc.	HP P/N	Mfr.	Desc.	HP P/N	Mfr.	Desc.
1855-0806	00039	2SK680-T1	1858-0125	00039	UPA104G	1900-0216	02062	HSMS2824	1901-0411	02037	MR1033A
1855-0807	03334	BF511	1858-0126	00039	UPA102G	1900-0217	02062	HSMS-2822	1901-0412	02037	IN3472
1855-0808	03291	ATF-20135	1858-0127	04200	TPQA55	1900-0220	02062	HSMS-2813	1901-0413	02037	MR1035A
1855-0810	03038	IRFR9010	1858-0128	04200	TPQ5551	1900-0221	02062	HSMS-2818-#8	1901-0414	02037	IN4723
1855-0811	03038	IRFR8020	1858-0129	02037	MMPQ6001	1900-0223	08852	M2X1282	1901-0421	02037	IN3208
1855-0812	03038	IRF9230	1858-0130	02883	VQ3001J	1900-0224	02062	HSMS-2823	1901-0423	02037	IN3212
1855-0814	02037	M7M2N50	1858-0131	02037	MC3346D	1900-0226	08852	M4X1055	1901-0424	02037	IN3492
1855-0815	03038	IRL334	1858-0133	04550	CA3227E	1900-0227	08852	MSS50-248-B20	1901-0426	02037	IN3494
1855-0818	02037	MTP20P06	1858-0135	04550	CA3127M	1900-0228	02062	5082-31k41	1901-0431	02037	IN3662
1855-0821	03799	RFP2N08L-6261	1858-0136	00039	UPA103G	1900-0231	02062	5082-2279	1901-0457	02062	QSRD-4652
1855-0822	03038	CPY203E	1858-0138	02180	MAT04EY	1900-0232	08852	M2X1527	1901-0460	01973	STB523-A
1855-0823	02883	SST5912	1858-0139	02037	MMPQ6700	1900-0233	04078	IN5711	1901-0461	00046	IN4448
1855-0825	02883	SST215	1858-0140	04550	CA3246E	1900-0234	08852	M2X1569	1901-0463	01973	IN4456
1855-0828	02037	MMPF5460L	1858-0142	04550	CA3083E	1900-0235	02062	QSCH-5362	1901-0478	01973	IN3958
1855-0829	02037	2N4392	1858-0143	02037	MMPQ2369	1900-0236	08852	M2X1577	1901-0490	02713	GI250-3
1855-0831	02037	MTP3055EL	1858-0144	03799	CA3227E	1900-0239	02062	HSMS-2814 #T31	1901-0492	02037	IN5002
1855-0832	03038	IRFD9020	1858-0145	03406	LM3146M	1900-0240	02062	HSMS-0003	1901-0493	02037	IN4725
1855-0833	03038	IRFPF40	1858-0146	03799	CA3246M	1900-0241	08852	M2X1625	1901-0494	02037	IN5003
1855-1260	02037	MTD10N05E	1858-0147	04200	ULN2003L	1900-0245	02062	HSMS-2805	1901-0495	02037	MR1120
1858-0004	01921	CA3049	1900-0001	02788	1N21B	1900-0246	02865	CSB7002-05-150-801	1901-0496	02037	MR1121
1858-0008	02037	SPQ526K	1900-0004	02865	1N76	1900-0247	08852	M5X1365	1901-0497	02037	MR1122
1858-0009	02037	MHQ2221	1900-0006	02788	1N416B	1900-0249	02062	HPND-4028	1901-0498	02037	MR1123
1858-0010	02037	MPQ2906	1900-0007	02788	1N26SP	1900-0250	02037	M8D201	1901-0499	02037	MR1124
1858-0021	01921	CA3083	1900-0010	01250	1N21BMR	1900-0251	02062	HSCH-9101	1901-0500	02037	MR1125
1858-0022	03799	SG3821N	1900-0011	02788	1N416BM	1901-0001	03171	HI3-0302-5	1901-0511	06563	IN3889R
1858-0023	01921	CA3081E	1900-0012	01250	1N23B	1901-0002	01921	1N1200A	1901-0517	02062	5082-5414
1858-0032	01921	CA3146E	1900-0015	02788	1N415C	1901-0004	03038	1N1084	1901-0518	02062	5082-5509
1858-0034	02037	MPQ3725	1900-0016	02865	1N4603	1901-0010	04550	1N540	1901-0519	00046	IN3070
1858-0036	03285	AD821 (SPEC)	1900-0017	02865	1N21E	1901-0013	01991	1N253	1901-0525	04504	KPF62505P-11
1858-0037	04200	ULN2082A	1900-0018	02788	1N23C	1901-0019	02086	1N1344	1901-0526	02664	SCA11
1858-0040	01921	CA3127E	1900-0019	02788	1N831	1901-0022	03334	BA220	1901-0531	04507	AS8097
1858-0045	03406	LM3018AH	1900-0020	01250	1N76A	1901-0025	00046	1N645	1901-0532	01973	ALP
1858-0046	01921	CA3097E	1900-0025	02062	5082-0049	1901-0032	02037	IN3209	1901-0536	02688	DI561CE
1858-0047	04200	ULN-2003A	1900-0026	02865	DME6569	1901-0033	00046	1N645	1901-0537	00046	1N645
1858-0048	01921	CA3082E	1900-0030	02865	DMJ4705 SELECTED	1901-0038	02237	IN3064	1901-0538	02037	MSD6150
1858-0052	02037	SPQ1678	1900-0031	02865	DSG 6474-44	1901-0039	04486	1N4150	1901-0545	02062	5082-2805
1858-0055	02037	MFC3069	1900-0032	02865	ALX6665	1901-0040	00046	1N4148	1901-0551	02037	MR1126
1858-0057	01921	CA3082F	1900-0034	04507	ALX6665	1901-0041	00046	1N4607	1901-0552	02037	MR1128
1858-0058	02037	MFP3906	1900-0035	02062	HSCH-5510	1901-0044	00046	1N4148	1901-0557	01921	CA3019
1858-0061	04200	ULN-2004A	1900-0036	04507	A5S092 SELECTED	1901-0048	02037	1N3210	1901-0591	05131	ED6240
1858-0062	02037	MPQ3762	1900-0037	02037	M8D101L	1901-0050	00046	1N4150	1901-0592	02037	MR1121R
1858-0063	01921	CA3102E	1900-0039	02037	M8D352	1901-0053	00046	1N5395	1901-0620	00046	1N4607
1858-0064	01921	CA3045H	1900-0040	02788	MA-4E402L	1901-0057	02037	1N2525	1901-0630	02037	MR1123R
1858-0065	04200	ULN-2815A-2	1900-0041	02788	MA-40035	1901-0058	01991	1N628	1901-0638	02037	MDA970A2
1858-0066	03744	IRH01A	1900-0042	04507	ASX1046	1901-0060	02037	1N1116	1901-0639	02062	5082-3080
1858-0067	04200	ULN-2033A	1900-0043	04507	A2X2118	1901-0068	01991	1N628	1901-0646	02664	S2F
1858-0069	04200	ULN-2803A	1900-0044	02788	MA4P485	1901-0071	02763	1N625	1901-0655	02688	DB71AR
1858-0071	02037	MPQ3798	1900-0045	02865	CLA3132-86	1901-0081	00046	1N4148	1901-0655	02688	M8D550A
1858-0072	04200	ULN-2813A	1900-0046	05695	MA-4P203-287	1901-0096	02237	FDH-400	1901-0660	02688	MD751AR
1858-0073	04200	ULN-2805A	1900-0047	08852	MX1735	1901-0126	01921	1N1763	1901-0661	02037	MR751
1858-0074	02037	MPQ6100	1900-0048	08852	MMD830-E20	1901-0129	01698	1N647	1901-0662	02037	MR751
1858-0075	02037	MPQ3546	1900-0050	08852	DDC4565D	1901-0131	04550	1N1764	1901-0663	02619	NS3000
1858-0076	02037	MPQ2907P	1900-0054	08852	MSS-40,155-E20	1901-0132	01698	1N660	1901-0669	02664	S4F
1858-0077	02037	MPQ2222P	1900-0055	02865	DDC4582D	1901-0138	01991	1N1581	1901-0671	02037	IN3900
1858-0081	03811	C7254	1900-0057	02062	5082-0001 SELECTED	1901-0144	03447	1N662	1901-0672	02037	IN3890
1858-0082	04200	ULN-2804A	1900-0059	02865	DMJ4768	1901-0151	05131	1N2242	1901-0673	01973	AL5A
1858-0083	04200	TPQ6002	1900-0060	02062	5082-0009	1901-0164	02037	1N4721	1901-0674	02664	3SF1
1858-0084	04200	ULN-2804A	1900-0061	02865	DMF5835A	1901-0169	02062	5082-0007	1901-0678	02037	IN3899R
1858-0085	04200	UDN2580A	1900-0062	02865	DME6553	1901-0179	02237	FD777	1901-0684	02037	IN3890R
1858-0086	02037	MPQ6700	1900-0065	02062	HSCH-6332	1901-0189	02062	QSRD-4653	1901-0685	02037	MR822RL
1858-0087	02037	MPQ3904	1900-0066	02062	5082-0030	1901-0305	01973	1N2158	1901-0686	02688	DS05AC
1858-0088	02037	MPQ7091	1900-0068	02865	CSB7201-01	1901-0306	01973	1N2158R	1901-0690	01973	AL14A
1858-0089	02037	MC1411	1900-0069	02062	5082-2826 SELECTED	1901-0307	01973	1N3289	1901-0691	01973	AL15A
1858-0090	02037	MPQ6002	1900-0070	02062	HSCH-5512	1901-0308	01973	1N3289R	1901-0692	02037	MR852
1858-0091	02037	MPQ2484	1900-0071	02062	HSCH-5312	1901-0309	01973	1N1347A	1901-0693	02037	IN4934
1858-0092	02037	MPQ3799	1900-0072	02062	HSMS2820	1901-0310	01973	1N2500	1901-0696	04550	AL14D
1858-0094	02037	MH9918	1900-0074	02062	HSMS2810	1901-0311	01973	1N3260R	1901-0699	02664	3LO5
1858-0095	00046	PIC900C	1900-0075	08852	MSS-30,254-B20	1901-0312	01973	1N3262	1901-0701	00046	STB567
1858-0096	01921	CA3183E	1900-0076	02062	HSCH-5336 (SELECTED)	1901-0313	01973	1N3262R	1901-0703	04486	ITT600
1858-0097	04200	ULN-2023A	1900-0077	02062	QSCH-5872	1901-0314	01921	1N1206A	1901-0704	02086	1N4002
1858-0099	04200	ULN-2003A(SEL)	1900-0078	02062	HSMS-2800	1901-0315	06121	1N1183A	1901-0710	01698	1N914
1858-0100	02037	MPQ2369	1900-0079	02062	5082-2830	1901-0316	02086	1N1183AR	1901-0717	02037	IN3891
1858-0101	01590	SL2364C	1900-0080	08852	MMD830-E20 SELECTED	1901-0317	02086	1N1184A	1901-0719	02037	MR854
1858-0102	02037	MPQ6426	1900-0082	08852	MX-2844	1901-0318	02086	1N1184AR	1901-0726	02037	IN5823
1858-0104	02910	ULN2003D	1900-0083	02062	5082-2831	1901-0319	02086	1N1186AR	1901-0729	02688	R3710
1858-0105	07221	WN0106M6	1900-0084	08852	MX-2860	1901-0320	02086	1N1187A	1901-0730	02688	S3710
1858-0106	02037	MPQ7051	1900-0085	08852	MSS40,141-B10 SELECTED	1901-0321	02086	1N1187AR	1901-0731	04486	IN4004G
1858-0107	02037	MPQ7041	1900-0087	02062	5082-2831	1901-0325	02688	R3270	1901-0732	02237	IN4007
1858-0108	04200	ULQ2804A	1900-0088	02062	5082-2794	1901-0327	01973	AL4B	1901-0734	02037	IN5818
1858-0109	12010	FTS755M	1900-0089	02062	5082-2800 SELECTED	1901-0328	01973	AL4D	1901-0738	02158	50L200
1858-0110	02180	MAT04FP	1900-0091	02062	HSMS-2812	1901-0329	04550	AL4M	1901-0739	02158	G6R110H
1858-0111	02037	MPQ3799-2	1900-0092	04507	A2S832	1901-0330	01973	AL4N	1901-0742	01921	IN3563
1858-0112	02037	MMPQ2222A	1900-0093	02062	5082-0001	1901-0343	02037	1N3491R	1901-0743	01698	IN4004
1858-0113	02037	MMPQ2907A	1900-0095	08852	MX3141	1901-0346					

Transistor/Diode Cross Reference – HP P/N to JEDEC No.

HP P/N	Mfr.	Desc.	HPP/N	Mfr.	Desc.	HP P/N	Mfr.	Desc.	HPP/N	Mfr.	Desc.
1901-0768	05088	H617	1901-1015	01698	1N4531	1901-1200	02237	1N4448	1901-1326	05027	FP1047A
1901-0774	02037	1N3891R	1901-1034	01973	MPD400	1901-1203	02037	1N4003	1901-1327	02037	P6KE18A
1901-0775	02037	1N5000	1901-1035	02037	MR881R	1901-1204	02037	MRL030-T1	1901-1328	02037	SA15A
1901-0776	02062	QPND-4711	1901-1052	04550	1N4154	1901-1205	03287	1.5KE39C	1901-1329	02158	10L200
1901-0777	02062	QPND-4965	1901-1065	02713	1N4936	1901-1206	03287	1.5KE39C	1901-1330	02037	1N6291AC
1901-0781	02037	MR754	1901-1067	02237	FDR444	1901-1207	03287	1.5KE120C	1901-1331	02037	1N6280AC
1901-0782	02037	1N5821	1901-1068	02062	5082-5541	1901-1208	03287	MPTE-15	1901-1332	02037	MBR5140T3
1901-0786	02664	1N6074	1901-1078	02037	MBD5300	1901-1209	03287	MPTE-15C	1901-1333	02037	1N3911
1901-0787	02037	MR756	1901-1080	02037	1N5817(RELAXED)	1901-1210	03287	LCE7.0	1901-1334	03287	SMCJ15A
1901-0788	02037	MR752	1901-1081	02037	MR501	1901-1211	03287	5KP5.0A	1901-1335	02037	MURS140T3
1901-0789	02037	MR850	1901-1085	02062	5082-2835	1901-1212	02037	MBD501	1901-1336	03038	11DQ10
1901-0790	00046	1N5418	1901-1086	02037	MR920	1901-1214	02037	MUR160	1901-1337	03287	SA5.0A
1901-0791	02037	1N3889	1901-1087	02037	MR856	1901-1215	12928	VHE550	1901-1338	03287	SA12
1901-0792	02688	SD41	1901-1091	04550	A115F	1901-1216	02037	MUR415	1901-1339	03287	SMCJ12.0
1901-0802	02062	QSRD-4728	1901-1092	04550	A114A	1901-1218	00046	USD840	1901-1340	03406	1N914B
1901-0824	02037	MR200MSR	1901-1095	02037	MBR1540	1901-1220	05088	VSK530	1901-1341	03287	SMBJ22A
1901-0825	02037	MR200MS	1901-1097	02062	5082-5580	1901-1223	03334	BYV26C	1901-1343	02037	MMBD501
1901-0826	02062	QPND-4746	1901-1098	02763	1N4150	1901-1224	03334	BAV74 SELECTED	1901-1344	03334	BAS45
1901-0831	02037	1N4937	1901-1100	01691	SD-41	1901-1227	02237	BAS16	1901-1345	06121	BAW78B
1901-0833	01691	1N6096	1901-1101	02237	JANTXV 1N4148-1	1901-1228	02037	MMBD914HT1	1901-1346	03287	SMCJ43CA
1901-0834	02037	1N5827	1901-1102	02062	HSCB-5316	1901-1230	03334	BYV26C SELECTED	1902-0003	02037	1N754
1901-0835	01698	BY205-400	1901-1103	02664	1N5623	1901-1232	02062	5082-1006	1902-0018	02037	1N941
1901-0837	01698	BY 205-100	1901-1105	05088	VB10X	1901-1233	02037	MUR4100	1902-0021	02037	1N2928BB
1901-0838	01921	1N5393	1901-1106	09914	UES-1106	1901-1237	02713	RGP15-15	1902-0028	02037	1N2999A
1901-0839	02037	MR510	1901-1107	04507	A2K1501	1901-1239	02037	MUR410	1902-0030	02037	1N3028B
1901-0841	02062	HSCB-1001	1901-1108	09914	UES1305	1901-1244	02037	MUR410	1902-0033	01991	1N823
1901-0842	02883	PAD5	1901-1109	09914	UES1306	1901-1246	03334	BYD33M	1902-0035	02037	1N3008B
1901-0843	02037	1N5002R	1901-1110	09914	UES1105	1901-1247	02062	HSMS-0002	1902-0039	05653	1N1597A
1901-0844	02037	MPN3401	1901-1111	09914	UES1303	1901-1248	02037	1N4937 SELECTED	1902-0041	02237	1N751A
1901-0845	05088	VG-2X	1901-1112	03334	BYV27-150	1901-1249	03334	BYV36E	1902-0042	02037	1N3596A
1901-0846	02037	1N5284	1901-1113	01921	RUR810	1901-1251	05088	H1601-1.5	1902-0045	02037	1N4750A
1901-0847	02713	RGF-10M	1901-1114	10881	BAL 74	1901-1252	04200	TMPP4150	1902-0066	02688	1N1513
1901-0848	05088	V334X	1901-1115	04507	DSR3800X	1901-1253	03334	BA482	1902-0088	02037	1N3003B
1901-0849	02713	1N4007	1901-1116	04507	DSR3700X	1901-1254	11708	BAR42	1902-0089	02037	1N3004B
1901-0858	03334	BYW29-50	1901-1117	00746	1SS135	1901-1255	04550	DE131	1902-0095	02037	1N746
1901-0859	03038	40HQ303	1901-1118	06002	BYV27-100	1901-1256	02037	MR826	1902-0121	02763	CD36191
1901-0860	02037	MBR-3535	1901-1119	02062	5082-3042	1901-1257	02037	MBRD320	1902-0156	02037	1N2986B
1901-0866	01973	MPD200	1901-1121	02037	MR2406	1901-1260	04504	GP10Y	1902-0173	02037	SZ30016-0176
1901-0868	02037	1N5817	1901-1122	02037	MR862R	1901-1261	02237	FDS01501	1902-0178	02037	1N3004RA
1901-0869	02037	1N5297	1901-1123	02713	1N5408	1901-1263	03287	SAB 10	1902-0245	02037	1N4099
1901-0870	02037	MR502	1901-1126	10881	BYW80-100	1901-1264	06121	BAS 40-05	1902-0517	02037	SZ11213-48
1901-0875	02062	5082-3900	1901-1127	00046	UES803	1901-1265	03287	SMCJ15C	1902-0522	02037	1N5340B
1901-0877	02037	MR340P	1901-1128	02037	1N5819RL	1901-1266	02883	SSTPAD200	1902-0526	02037	1N5305
1901-0878	02664	SMFR30K	1901-1129	02037	MUR105	1901-1267	03038	50SQ80B	1902-0528	02037	1N5524D
1901-0879	01973	A115M	1901-1130	02037	MUR860	1901-1268	02037	MBRD330	1902-0549	02037	1N5365A
1901-0881	02062	5082-0001	1901-1131	02062	5082-2810	1901-1269	03334	BAV23S	1902-0570	02688	DZ70302N
1901-0882	05088	V336X	1901-1132	02062	4A5021 SELECTED	1901-1272	02037	BYW29-200AC	1902-0584	02037	SZ030590
1901-0883	02062	HSCB-3486	1901-1133	04550	1N5626	1901-1273	04504	FE68	1902-0625	02037	1N829
1901-0885	02037	MR1-1400	1901-1134	03334	BA829	1901-1274	04504	UF5406	1902-0627	02037	1N5312
1901-0887	03334	BYP59-300	1901-1135	02713	BP30B	1901-1275	03287	SMBJ13CA	1902-0631	02037	1N5351B
1901-0888	00046	1N3912	1901-1136	03038	10TQ045	1901-1276	03287	SMBJ5.0A	1902-0632	02037	1N5354B
1901-0889	02037	MR508	1901-1137	02037	MR2406P	1901-1277	11699	CEN611	1902-0640	02037	1N5847A
1901-0890	02037	1N3893	1901-1138	07766	BYV95C	1901-1279	03334	BZV861V4	1902-0643	02037	1N2979B
1901-0892	03038	20FQ040	1901-1140	02713	FES8GT	1901-1279	03334	BA783	1902-0645	02037	1N2997B
1901-0893	04507	DSR5500X	1901-1141	03334	BYV27-200	1901-1280	02037	1N4006	1902-0680	02037	1N827
1901-0894	01973	1N4608	1901-1142	02037	MMBD6050	1901-1281	04504	RGL4LD	1902-0686	02037	1N825
1901-0895	02062	QSCH1186	1901-1143	02713	FE16P	1901-1282	02037	SA13C	1902-0692	02688	DZ790107A
1901-0896	05131	RC60	1901-1144	02037	BAV70	1901-1283	02037	MBRD350	1902-0697	02237	JANTX1N750A
1901-0904	00046	UES804	1901-1145	02037	MBA456	1901-1284	03287	5KP75A	1902-0761	02037	1N821
1901-0905	04550	DE111	1901-1147	02713	EGP30B	1901-1285	02037	IC914	1902-0772	02037	1N935
1901-0912	02037	MBR3545	1901-1148	02037	MR818	1901-1287	11699	CEN662	1902-0777	02037	1N825
1901-0917	03287	1.5KE15A	1901-1149	02713	UF4004	1901-1288	03287	SA13A	1902-0785	02037	1N936
1901-0920	02062	5082-2755	1901-1150	03334	BAS19	1901-1289	02062	5082-1001	1902-0786	02037	1N937
1901-0921	03038	80SQ030	1901-1151	03334	BAT17	1901-1292	02037	1N6267A	1902-0787	02037	1N938
1901-0947	02062	QPND-4414	1901-1152	02037	MER1645	1901-1293	03334	BYW29-150	1902-0788	02037	1N1514
1901-0952	00046	1N5802	1901-1153	03038	16M060(SEL)	1901-1294	02037	MR2401	1902-0791	02037	1N942
1901-0953	00046	UES601R	1901-1154	02526	S10925	1901-1295	03287	SMCJ5.0	1902-0793	02037	1N944
1901-0954	02037	1N5285	1901-1156	00046	USD945	1901-1296	00746	1N4606	1902-0795	02037	1N992B
1901-0960	05088	VSK71	1901-1157	05088	VHE1404	1901-1297	02037	MBR030	1902-0796	02037	1N989B
1901-0961	00046	UES803R	1901-1160	03334	BZX75-C2V1	1901-1298	02037	MPN3404 RLRA	1902-0903	02688	CR4106-25-14
1901-0968	11981	A15BK107	1901-1161	02037	MLL4003T1	1901-1299	05027	126911-001	1902-0905	04507	LVA56A
1901-0970	02037	MUR115	1901-1162	04486	LL4148	1901-1300	02037	MUR880E	1902-0906	04507	LVA43A
1901-0974	05088	H2745-9	1901-1163	02713	SB560	1901-1302	02037	MUR1560	1902-0907	04507	LVA68A
1901-0975	02037	MPN3500	1901-1164	03334	BAV10 SELECTED	1901-1303	02037	MBR340	1902-0909	02037	1N2972A
1901-0976	05088	VSK540	1901-1165	02713	SB160	1901-1304	02037	P6KE7.5CA	1902-0910	02037	1N2984RB
1901-0977	08852	MX1098	1901-1166	00039	1SS153	1901-1305	06121	BAS40	1902-0916	02037	MZ5556
1901-0978	02037	MR2400	1901-1169	02037	MURC115	1901-1306	02037	MUR120RL	1902-0918	02037	5M17ZS2
1901-0979	00046	T1D778	1901-1172	04550	1N5061	1901-1307	02037	1.5KE160A	1902-0919	02037	5M18ZS2
1901-0981	02526	1N5653A	1901-1173	02037	MBR745	1901-1308	03334	BY505	1902-0920	02037	1N5345B
1901-0982	02526	1N5651A	1901-1176	02062	QPND-4313	1901-1309	05131	RHC10-12	1902-0924	02037	1N5927
1901-0983	02526	1N5641A	1901-1180	02037	MMBV3401	1901-1311	04504	RPR4-D-10	1902-0925	02037	1N4740A
1901-0984	00046	VK30	1901-1181	02883	JPAD20	1901-1312	03287	SMBG6.5C	1902-0927	02037	1N5349
1901-0985	02865	DDC 4565-96	1901-1183	03334	BAT85	1901-1313	04504	UF4007	1902-0931	02037	1M1202S5
1901-0986	02037	MR10650	1901-1188	02037	MR758	1901-1314	03799	RUR810	1902-0933	02037	1N5370B
1901-0987	01921	RUR810	1901-1189	02037	MUR1510	1901-1315					

Transistor/Diode Cross Reference – HP P/N to JEDEC No.

HP P/N	Mfr.	Desc.	HP P/N	Mfr.	Desc.	HP P/N	Mfr.	Desc.	HP P/N	Mfr.	Desc.
1902-0981	02037	5M232S2	1902-1459	02037	MLL5243	1902-1594	02037	1N751D	1906-0284	02713	DF01
1902-0982	02037	5M282S2	1902-1460	02037	MLL5245	1902-1595	03334	BZX84-C68	1906-0285	02788	MA4E202L
1902-0983	01691	1N4621	1902-1461	02037	MLL5246	1902-3129	10818	BZXB7V5	1906-0286	02037	MBR2035CT
1902-0986	02037	1N6270A	1902-1462	02037	LL5248	1906-0006	05088	VE48	1906-0289	05088	VN28X
1902-0987	02037	1N2991	1902-1463	02037	MLL5250	1906-0007	02037	MDA2502	1906-0290	02037	MBAW56
1902-0990	02037	MZC5.6B2	1902-1464	02037	MLL5251	1906-0008	02037	MDA2500	1906-0291	02037	MBAV99
1902-0991	02803	1N4577	1902-1465	02037	MLL5252	1906-0016	02037	MDA2506	1906-0292	02037	MBR2545CT
1902-0993	03287	1.5KE7.5C	1902-1466	02037	MLL5254	1906-0017	02037	MDA 990-3	1906-0293	00704	DAN601
1902-0994	02037	.4M8. 221	1902-1467	02037	MLL5256	1906-0026	02037	MMD7000	1906-0294	02865	KMF5848
1902-0995	02037	1N5373B	1902-1468	02037	MLL5257	1906-0027	02037	MDA922-6	1906-0295	02713	FEF16CT-3
1902-0996	02037	1N5336B	1902-1469	02037	MLL5258	1906-0028	02037	MDA922-3	1906-0296	03334	BYV32-150
1902-0998	02037	1N3001B	1902-1470	02037	MLL5259	1906-0032	02037	MDA980-3	1906-0298	02037	MMBD7000
1902-1000	02037	1N5366B	1902-1471	02037	MLL5260	1906-0035	00046	673-2	1906-0299	03038	1K1860
1902-1172	02037	1N4103	1902-1472	02037	MLL5261	1906-0039	02664	SCPA2	1906-0300	02713	SR1160
1902-1199	06563	1N1604A	1902-1473	02037	MLL5262	1906-0040	02664	SCDA2	1906-0301	05088	VHEZ404
1902-1205	02037	1N2979RB	1902-1474	02037	MLL5263	1906-0042	02037	MSD 6150	1906-0303	03334	BAV99
1902-1217	02037	1N3998RA	1902-1475	02037	MLL5265	1906-0043	04504	KBPC1202P-1	1906-0304	00046	UES2603
1902-1226	02037	1N3996A	1902-1476	02037	MLL5266	1906-0049	02037	MDA980-6	1906-0305	02713	KBPC-W35-06
1902-1232	02037	1N3997RA	1902-1477	02037	MLL5267	1906-0051	11699	CBRF1-010	1906-0306	02713	DF60M
1902-1259	02037	1N5357B	1902-1478	02037	MLL5268	1906-0052	05088	VH148	1906-0307	02037	MBR20045CT
1902-1260	02037	1N5252C	1902-1479	02037	MLL5270	1906-0055	02664	SCAJ4	1906-0308	02713	FEN16CCT
1902-1278	02037	1N5348B	1902-1480	02037	MZC4.7A10	1906-0058	02037	MDA990-2	1906-0309	05088	VJ848
1902-1286	02037	1N5342B	1902-1481	02713	1N5953B	1906-0067	05088	R754	1906-0312	02037	MAD130P
1902-1288	02037	1N5358B	1902-1482	02713	1N5954B	1906-0069	04504	DF04M	1906-0315	02337	FSA3237P
1902-1291	02037	1N5338B	1902-1483	02037	1N5388B	1906-0071	02664	SCPA05F	1906-0320	06121	BAS 40-04
1902-1292	02037	1N5372B	1902-1484	03334	BZX84-C12	1906-0072	02664	SCBA2F	1906-0321	02037	MUR1620CT
1902-1295	02883	CL4720	1902-1488	04486	LL4747A	1906-0074	02237	FSA3157P	1906-0324	02237	FD2565P
1902-1297	02037	1N4561A	1902-1489	04486	LL4744A	1906-0076	04504	RW04M	1906-0325	02883	DPAD10
1902-1322	02688	CH4627-25-1%	1902-1490	04486	LL4740A	1906-0077	12928	VH-448X	1906-0329	02037	MUR3020PT
1902-1323	04200	1N5857B	1902-1491	04486	LL4733A	1906-0078	12928	VJ448X	1906-0331	06121	BAS70-04
1902-1332	02634	1N5851B	1902-1492	04486	LL4742A	1906-0079	05088	VJ148X	1906-0332	06121	BAS40-06
1902-1338	02037	1N4557A	1902-1493	02037	1N5949B	1906-0082	02062	5082-2826	1906-0334	02237	FD501503
1902-1340	02037	1N5355B	1902-1495	02688	1N5948B	1906-0085	05088	VJ848TT	1906-0335	02037	MBAV74
1902-1342	02037	1N4742A	1902-1498	02037	1N5362B	1906-0088	05088	R712E	1906-0336	02037	MBAV70
1902-1345	02037	1N5365B	1902-1501	02037	MMB25231	1906-0090	00046	698-1	1906-0337	03334	BAS56
1902-1346	02037	1N5355B	1902-1505	02037	MZT4954B	1906-0092	04200	NB94	1906-0338	02037	MUR1620CT OPTION TO220-C
1902-1352	04507	LVA 456A	1902-1506	02037	1N5903B	1906-0093	02037	MDA3501	1906-0339	02237	FSA2509P
1902-1356	02037	1N4753ARL	1902-1507	02037	1N6021B	1906-0094	02037	MDA-104	1906-0343	04504	KB08B
1902-1374	02037	BZX83A5V1	1902-1509	02037	1N5333BRL	1906-0096	02037	MDA202C	1906-0344	02037	MAD1108P
1902-1380	11708	1N5341B	1902-1510	02037	1N5367B	1906-0100	02883	DPAD 100	1906-0348	02037	KBPC35-02
1902-1384	02037	1N5525C	1902-1512	02037	BZX84C7V5	1906-0201	02713	KBULG	1906-0349	04504	KBPC202
1902-1385	02664	SK43	1902-1515	02037	1N5334BRL	1906-0202	01698	TID130	1906-0351	02037	MMA202C
1902-1387	02037	1N5524C	1902-1516	02037	1N6377	1906-0203	05131	PK10	1906-0352	02037	MURD610CT
1902-1388	02037	1N4697	1902-1518	02037	1N5334D	1906-0204	02062	5082-2804	1906-0355	02062	QSCH-8809
1902-1391	02037	1N4683	1902-1519	03334	BZX84-C3V9	1906-0205	05088	VK248	1906-0356	04504	KBPC108
1902-1392	02037	1N5256 (SELECTED)	1902-1522	03287	SA100CA	1906-0210	02062	5082-2830	1906-0357	04504	FEP16BT
1902-1394	02037	1N5378B	1902-1523	11708	BZV50-56B	1906-0212	02037	MDA3504	1906-0358	02237	MBS01203
1902-1396	02037	1N5335B	1902-1524	02037	MMB25230	1906-0213	01698	TIR101B	1906-0359	02237	FDS01505
1902-1397	02037	1N6273A	1902-1529	11708	1.5KE250CA	1906-0214	01698	TIR201B	1906-0360	02037	MUR3045PT
1902-1398	02037	1N821D	1902-1534	03287	SALLA	1906-0216	05088	VL447	1906-0362	04504	RDP6GM
1902-1399	02037	1N5248 SELECTED	1902-1535	02037	MMB25257B	1906-0217	02037	MDA3506	1906-0363	03038	10JTF10
1902-1400	02037	1N5244 SELECTED	1902-1536	02037	1N5368B	1906-0219	02037	MDA208	1906-0364	04078	L6210
1902-1401	02037	1N2835A	1902-1537	03287	1.5KE91C	1906-0221	02037	MDA3500	1906-0365	03334	BAS31
1902-1402	02037	1N5373A	1902-1541	03334	BZX84C3V3	1906-0222	02037	MDA2504	1906-0366	04504	KB108
1902-1404	10881	1.5KE18CA	1902-1542	03334	BZX84C6V2	1906-0224	02037	MDA2506	1906-0367	02037	MUR650CT
1902-1405	02037	1N751A (SELECTED)	1902-1543	03334	BZX84C3V6	1906-0225	03038	2507B4L	1906-0368	11699	CBR10F-010P
1902-1406	03406	LM103-3.0	1902-1544	03334	BZX84C10	1906-0227	02537	NSR8142	1906-0369	02537	MBI106
1902-1407	04507	1N4626	1902-1547	02037	MZC10A5	1906-0229	02037	MC1107P	1906-0372	05131	PD60
1902-1408	02037	1N5243 (SELECTED)	1902-1548	03334	BZX84-B13	1906-0231	05088	R712	1906-0373	02037	MUR1640CT
1902-1409	02037	1N2989B	1902-1549	03334	BZX84-B18	1906-0233	02713	KBFO6	1906-0374	03038	60CDQ045
1902-1410	02037	1N6283A	1902-1550	03334	BZX84-B20	1906-0210	02062	5082-2370	1906-0375	02037	MMAD1107
1902-1411	02037	1N4574A	1902-1554	02037	1N964B SELECTED	1906-0236	05088	R712A	1906-0377	12810	BR102
1902-1423	02037	1N5338A	1902-1555	02037	MMB25232B	1906-0238	05088	VSK3040T	1906-0378	02037	MAD1130
1902-1424	10881	BZX84C5V6	1902-1556	03334	BAS17	1906-0239	01691	SD-241	1906-0381	04200	TMD907
1902-1425	02037	1N5359B	1902-1558	05942	BZX84C11	1906-0242	05088	R711XE	1906-0382	02037	MMAD1108
1902-1426	02037	1N5230 (SELECTED)	1902-1559	02037	MMB25237BT1	1906-0244	02865	D5848	1906-0383	04504	KRBP35-04
1902-1427	02037	1N2805A	1902-1562	03334	BZX84-BW73	1906-0250	03038	95-4492	1906-0384	01698	SN7481050D
1902-1430	02037	.4M6. 22Z10	1902-1563	03334	BZX84-BW7	1906-0252	02062	5082-2272	1906-0385	01698	SN7481053D
1902-1431	02037	1N4690	1902-1564	03334	BZX84-C24	1906-0254	00046	UES2602R	1906-0386	00046	USD4545C
1902-1432	02037	1N5381B	1902-1565	03334	BZX84-CHV7	1906-0255	02713	KBPC606	1906-0387	03406	FD501703
1902-1434	02037	1N3998RA	1902-1566	02037	1N5228 (SEL)	1906-0256	02713	W02M	1906-0388	02037	MSD6101
1902-1436	02037	MMB25232B	1902-1567	02037	MMB25234B	1906-0257	02237	FSA2619P	1906-0389	04504	KBPC3506
1902-1437	02037	MMB25241B	1902-1568	03334	BZV40-C12	1906-0258	02037	MDA970A2	1906-0390	03038	35MB60A
1902-1438	02037	1N5944B	1902-1570	03334	BZX84-C2V4	1906-0259	00046	SESS603CR	1906-0391	12810	MBS31
1902-1439	02037	1N2835RA	1902-1571	02037	1N4551A	1906-0262	00046	UES 2402	1910-0002	02682	1N38B
1902-1440	02037	1N5274A	1902-1572	03334	BZX84-C15	1906-0263	05088	VSK12	1910-0003	02682	1N55A
1902-1441	02037	MLL5221	1902-1574	03334	BZX84C6V8	1906-0264	05088	VKP 248	1910-0004	06418	1N90
1902-1442	02037	MLL5223	1902-1575	02037	1N5348BRL	1906-0265	00046	USD 745C	1910-0014	02682	1N277
1902-1443	02037	MLL5225	1902-1576	02037	1N5263B	1906-0266	02037	MDA3502	1910-0023	02682	1N270
1902-1444	02037	MLL5226	1902-1577	02037	1N4761A	1906-0267	02037	MBR3035CT	1910-0024	02682	1N191
1902-1445	02037	MLL5227	1902-1578	02037	1N3337A	1906-0268	03714	ID101	1910-0025	02682	1N955
1902-1446	02037	MLL5228	1902-1579	02037	1N5253B	1906-0269	03038	12CTQ040	1910-0031	02682	1N34A
1902-1447	02037	MLL5229	1902-1580	03334	BZX84C75	1906-0270	05088	VHEZ402A	1910-0033	02682	1N279
1902-1448	02037	MLL5230	1902-1581	02037	MZC6.2A5	1906-0271	05088	R712X	1		

Transistor/Diode Cross Reference – JEDEC No. to HP P/N

JEDEC	Mfr.	HP P/N	JEDEC	Mfr.	HP P/N	JEDEC	Mfr.	HP P/N
MMBFJ310T1	02037	1855-0764	1N3289	01973	1901-0307	1N5230 (SELECTED)	02037	1902-1426
4M6-2ZZ10	02037	1902-1430	1N3289R	01973	1901-0308	1N5243 (SELECTED)	02037	1902-1408
4M8-2Z1	02037	1902-0994	1N3337A	02037	1902-1578	1N5244 (SELECTED)	02037	1902-1400
1.5KE120C	03287	1901-1207	1N3491	02037	1901-0406	1N5248 (SELECTED)	02037	1902-1399
1.5KE15A	03287	1901-0917	1N3491R	02037	1901-0343	1N5253B	02037	1902-1579
1.5KE160A	02037	1901-1307	1N3492	02037	1901-0424	1N5256 (SELECTED)	02037	1902-1392
1.5KE180A	10881	1902-1404	1N3494	02037	1901-0426	1N5263B	02037	1902-1576
1.5KE250CA	11708	1902-1529	1N344	02682	1910-0031	1N5274A	02037	1902-1440
1.5KE39	03287	1901-1205	1N3563	01921	1901-0742	1N5283	02037	1901-0758
1.5KE39C	03287	1901-1206	1N3595	00046	1901-0376	1N5284	02037	1901-0846
1.5KE7-5C	03287	1902-0993	1N3595	00046	1901-1195	1N5285	02037	1901-0954
1.5KE91C	03287	1902-1537	1N3644	02644	1901-0752	1N5297	02037	1901-0869
1.5SE18C	02526	1902-0976	1N3662	02037	1901-0431	1N5305	02037	1902-0526
100JB4L	03038	1906-0274	1N3712	01973	1912-0009	1N5312	02037	1902-0627
10JTF10	03038	1906-0363	1N3714	01973	1912-0007	1N5333BRL	02037	1902-1509
10L200	02158	1901-1329	1N3716	01973	1912-0002	1N5334BRL	02037	1902-1515
10TQ045	03038	1901-1136	1N3718	01973	1912-0006	1N5334D	02037	1902-1518
11DQ10	03038	1901-1336	1N3720	01973	1912-0014	1N5335B	02037	1902-1396
126911-001	05027	1901-1299	1N3881	02037	1901-0756	1N5336B	02037	1902-0996
12CTQ040	03038	1906-0269	1N3889	02037	1901-0791	1N5338A	02037	1902-1423
16MQ40 (SEL)	06078	1901-0990	1N3889R	06563	1901-0511	1N5338B	02037	1902-1291
16MQ60 (SEL)	03038	1901-1153	1N3890	02037	1901-0672	1N5340B	02037	1902-0522
1GG2-4032	10743	1855-0663	1N3890R	02037	1901-0684	1N5341B	11708	1902-1380
1KAB60	03038	1906-0299	1N3891	02037	1901-0717	1N5342B	02037	1902-1286
1M120Z5S	02037	1902-0931	1N3891R	02037	1901-0774	1N5345B	02037	1902-0920
1N1084	03038	1901-0004	1N3893	02037	1901-0890	1N5348B	02037	1902-1278
1N1116	02037	1901-0060	1N3899R	02037	1901-0678	1N5348BRL	02037	1902-1575
1N1183A	06121	1901-0315	1N38B	02682	1910-0002	1N5349	02037	1902-0927
1N1183AR	02086	1901-0316	1N3900	02037	1901-0671	1N5351B	02037	1902-0631
1N1184A	02086	1901-0317	1N3911	02037	1901-1333	1N5352	02037	1902-0977
1N1184AR	02086	1901-0318	1N3912	00046	1901-0888	1N5354B	02037	1902-0632
1N1186AR	02086	1901-0319	1N3958	01973	1901-0478	1N5355B	02037	1902-1340
1N1187A	02086	1901-0320	1N3996A	02037	1902-1226	1N5355S	02037	1902-1346
1N1187AR	02086	1901-0321	1N3997RA	02037	1902-1232	1N5357B	02037	1902-1259
1N1200A	01921	1901-0002	1N3998RA	02037	1902-1217	1N5358B	02037	1902-1288
1N1205A	01921	1901-0314	1N3998RA	02037	1902-1434	1N5359B	02037	1902-1425
1N1344	02086	1901-0019	1N4002	02086	1901-0704	1N5362B	02037	1902-1498
1N1347A	01973	1901-0309	1N4003	02037	1901-1203	1N5365A	02037	1902-0549
1N1513	02688	1902-0086	1N4004	01698	1901-0743	1N5366B	02037	1902-1000
1N1581	01991	1901-0138	1N4004G	04486	1901-0731	1N5367B	02037	1902-1510
1N1596A	02037	1902-0082	1N4006	02037	1901-1280	1N5368B	02037	1902-1536
1N1597A	06563	1902-0039	1N4007	02237	1901-0732	1N5370B	02037	1902-0933
1N1604A	06563	1902-1199	1N4007	02713	1901-0849	1N5372B	02037	1902-1292
1N1763	01921	1901-0126	1N4009	02037	1902-0245	1N5373A	02037	1902-1402
1N1764	04550	1901-0131	1N4103	02037	1902-1172	1N5373B	02037	1902-0995
1N191	02682	1910-0024	1N4148	00046	1901-0040	1N5378B	02037	1902-1394
1N2148	04583	1901-0398	1N4148	00046	1901-0044	1N5380B	02037	1902-0934
1N2158	01973	1901-0305	1N4148	00046	1901-0081	1N5381B	02037	1902-1432
1N2158R	01973	1901-0306	1N4148	00046	1901-0461	1N5388B	02037	1902-1486
1N21B	02788	1900-0001	1N4150	04486	1901-0639	1N5393	01921	1901-0838
1N21BMR	01250	1900-0010	1N4150	00046	1901-0050	1N5395	00046	1901-0053
1N21E	02865	1900-0017	1N4150	02763	1901-1098	1N540	04550	1901-0010
1N2242	05131	1901-0151	1N4154	04550	1901-1052	1N5406	02713	1901-0759
1N2326	01921	1910-0041	1N4156	01973	1901-0463	1N5408	02713	1901-1123
1N23B	01250	1900-0012	1N415C	02788	1900-0015	1N5418	00046	1901-0790
1N23C	02788	1900-0018	1N416B	02788	1900-0006	1N5524C	02037	1902-1387
1N250C	01973	1901-0310	1N416BM	02788	1900-0011	1N5524D	02037	1902-0528
1N2525	02037	1901-0057	1N4448	02237	1901-1200	1N5525C	02037	1902-1260
1N253	01991	1901-0013	1N4530	01973	1901-0370	1N5525C	02037	1902-1384
1N2565	04583	1901-0383	1N4531	01698	1901-1015	1N5553	02664	1901-0750
1N266SP	02788	1900-0007	1N4551A	02037	1902-1571	1N5554	02664	1901-0750
1N270	02682	1910-0023	1N4557A	02037	1902-1338	1N55A	02682	1910-0003
1N277	02682	1910-0014	1N4561A	02037	1902-1297	1N5623	02664	1901-1103
1N279	02682	1910-0033	1N4574A	02037	1902-1411	1N5626	04550	1901-1133
1N2805A	02037	1902-1427	1N4577	02803	1902-0991	1N5641A	02526	1902-0983
1N2835A	02037	1902-1401	1N4603	02865	1900-0016	1N5651A	02526	1901-0982
1N2835RA	02037	1902-1439	1N4606	00746	1901-1296	1N5653A	02526	1901-0981
1N2972A	02037	1902-0909	1N4607	00046	1901-0041	1N5711	04078	1900-0233
1N2979B	02037	1902-0643	1N4607	00046	1901-0620	1N5802	00046	1901-0952
1N2979RB	02037	1902-1205	1N4608	01973	1901-0894	1N5812	03627	1901-0765
1N2984RB	02037	1902-0910	1N4621	01691	1902-0983	1N5817	02037	1901-0868
1N2986B	02037	1902-0156	1N4628	04507	1902-1407	1N5817 (RELAXED)	02037	1901-1080
1N2989B	02037	1902-1409	1N4683	02037	1902-1391	1N5818	02037	1901-0734
1N2991	02037	1902-0987	1N4697	02037	1902-1388	1N5819RL	02037	1901-1128
1N2992RB	02037	1902-0021	1N4719	02037	1901-0409	1N5821	02037	1901-0782
1N2997RB	02037	1902-0645	1N4720	02037	1901-0410	1N5823	02037	1901-0726
1N2999A	02037	1902-0028	1N4721	02037	1901-0164	1N5827	02037	1901-0834
1N3001B	02037	1902-0998	1N4722	02037	1901-0412	1N5847A	02037	1902-0640
1N3003B	02037	1902-0068	1N4723	02037	1901-0414	1N5851B	02634	1902-1332
1N3004B	02037	1902-0089	1N4725	02037	1901-0493	1N5857B	04200	1902-1323
1N3004RA	02037	1902-0178	1N472A	02037	1902-1342	1N5908	02526	1902-0939
1N3008B	02037	1902-0035	1N4750A	02037	1902-1342	1N5927	02037	1902-0924
1N3028B	02037	1902-0030	1N4753ARL	02037	1902-0085	1N5944B	02037	1902-1438
1N3064	02237	1901-0038	1N4761A	02037	1902-1356	1N5949B	02037	1902-1493
1N3070	00046	1901-0519	1N4785	02037	1902-1577	1N5953B	02713	1902-1482
1N3154	02037	1902-0788	1N4934	02037	1901-0693	1N5954B	02713	1902-1482
1N3208	02037	1901-0421	1N4936	02713	1901-1065	1N5987D	02688	1902-1495
1N3209	02037	1901-0032	1N4937	02037	1901-0831	1N5993B	02037	1902-1506
1N3209R	02037	1901-0346	1N5000	02037	1901-1248	1N6021B	02037	1902-1507
1N3210	02037	1901-0048	1N5002	02037	1901-0775	1N6074	02664	1901-0786
1N3212	02037	1901-0423	1N5002R	02037	1901-0492	1N6096	01691	1901-0833
1N3260R	01973	1901-0311	1N5003	02037	1901-0843	1N625	02763	1901-0071
1N3262	01973	1901-0312	1N5003	04550	1901-1172	1N6267A	02037	1901-1292
1N3262R	01973	1901-0313	1N5061	02037	1902-1566	1N6270A	02037	1902-0986
			1N5228 (SEL)					

Transistor/Diode Cross Reference – JEDEC No. to HP P/N

JEDEC	Mfr.	HPP/N	JEDEC	Mfr.	HPP/N	JEDEC	Mfr.	HPP/N
1N6273A	02037	1902-1397	2N2647	04550	1855-0027	2N3824	01698	1855-0224
1N6278A	02037	1901-1319	2N2857	01921	1854-0048	2N3855A	01973	1854-0057
1N628	01991	1901-0058	2N2857	01921	1854-0323	2N3866	01921	1854-0233
1N6280AC	02037	1901-1331	2N2869	01921	1850-0126	2N3866A	02037	1854-0784
1N6283A	02037	1902-1410	2N2895	02037	1854-0527	2N3867	02037	1854-0442
1N6291AC	02037	1901-1330	2N2896	02037	1854-0748	2N3879	01921	1854-0476
1N6377	02037	1902-1516	2N2904	01698	1853-0013	2N388A	01698	1851-0024
1N645	00046	1901-0025	2N2904A	02037	1853-0012	2N3904	02037	1854-0215
1N645	00046	1901-0033	2N2905A	02037	1853-0314	2N3904	02037	1854-1028
1N645	00046	1901-0537	2N2907	02037	1853-0205	2N3904	02037	1854-1061
1N647	01698	1901-0129	2N2907A	02682	1853-0281	2N3904	02037	1854-1084
1N647	00046	1901-0356	2N2907A(SELECTED)	02037	1853-0571	2N3904	03406	1854-1110
1N662	01698	1901-0132	2N2913	02037	1854-0349	2N3904 CHIP	02037	1854-0770
1N746	03447	1901-0144	2N2920	02237	1854-0792	2N3904(SEL)	02037	1854-1177
1N751A	02037	1902-0095	2N2925	01973	1854-0066	2N3904-STYLE D	02037	1854-1232
1N751A(SELECTED)	02237	1902-0041	2N2946A	01698	1853-0322	2N3904RLRA2	02037	1854-1048
1N751D	02037	1902-1405	2N2972	02037	1854-0411	2N3905	02037	1853-0292
1N751D	02037	1902-1594	2N2996	01698	1850-0172	2N3906(SEL)	02037	1853-0036
1N76	02865	1900-0004	2N3013	06338	1854-0267	2N3906(SEL)	02037	1853-0563
1N76A	01250	1900-0020	2N3014	02037	1854-0842	2N3906(SEL)	02037	1853-0659
1N821	02037	1902-0761	2N3019	02037	1854-0263	2N3906-STYLE D	02037	1853-0707
1N821D	02037	1902-1398	2N3053	01921	1854-0667	2N3922	02763	1855-0038
1N823	01991	1902-0033	2N3053LV 2449	03334	1854-0090	2N3933	03406	1854-0238
1N825	02037	1902-0686	2N3053S	01921	1854-0039	2N3955	03406	1855-0207
1N825	02037	1902-0777	2N3054	01921	1854-0072	2N3959	02037	1854-0220
1N827	02037	1902-0680	2N3054	01921	1854-0590	2N3966	02883	1855-0286
1N829	02037	1902-0625	2N3055	01921	1854-0063	2N3993	02037	1855-0387
1N831	02788	1900-0019	2N3124	02037	1853-0006	2N3994	02037	1855-0789
1N90	06418	1910-0004	2N3227	02037	1854-0260	2N4028	02237	1853-0206
1N91	01973	1911-0001	2N3232	02037	1854-0084	2N4032	02237	1853-0320
1N914	01698	1901-0710	2N3250	02037	1853-0008	2N4033	01698	1853-0422
1N914B	03406	1901-1340	2N3250	02037	1853-0287	2N4034	02237	1853-0072
1N935	02037	1902-0772	2N3251	02037	1853-0007	2N4035	02237	1853-0258
1N936	02037	1902-0785	2N3262	01921	1854-0242	2N4036	01921	1853-0045
1N937	02037	1902-0786	2N3302	02237	1854-0278	2N4036	02037	1853-0590
1N938	02037	1902-0787	2N3304	02237	1853-0014	2N4037	01921	1853-0051
1N941	02037	1902-0018	2N3330	01698	1855-0393	2N4044	03191	1854-0248
1N942	02037	1902-0791	2N335	01973	1854-0026	2N4046	02237	1854-0478
1N944	02037	1902-0793	2N3382	03714	1855-0390	2N404A	06632	1850-0062
1N944B SELECTED	02037	1902-1554	2N3391	01973	1854-0033	2N4092	02037	1855-0371
1N989B	02037	1902-0796	2N3392	04550	1854-0098	2N4117	02883	1855-0208
1N992B	02037	1902-0796	2N3393	01973	1854-0218	2N4117A	02883	1855-0305
1N995	02037	1902-0795	2N3415	04550	1854-0093	2N4119	03406	1855-0463
1NC4740A	02682	1910-0025	2N3417	04200	1854-1180	2N4126A	02037	1853-0685
1SMB5918B	02037	1902-0925	2N3436	02763	1855-0005	2N4209	02037	1853-0405
1S5135	02037	1902-1583	2N3439	01921	1854-0079	2N4233A	02037	1854-0600
1S5153	00746	1901-1117	2N3440	01921	1854-0234	2N4236	02037	1853-0213
20F5040	00039	1901-1166	2N3441	01921	1854-0216	2N4237	02037	1854-0556
25G374L	03038	1901-0892	2N3441	03171	1854-1147	2N4239	02037	1854-0361
25D786	03038	1906-0225	2N3442	01921	1854-0217	2N4240	01921	1854-0311
29C	00746	1854-0991	2N3467	03406	1853-0399	2N4258	02237	1853-0081
2C3906	01921	1854-0644	2N3468	02037	1853-0574	2N4261	02037	1853-0686
2N1131	02037	1853-0614	2N3478	01921	1854-0325	2N4264	02037	1854-1186
2N1183	01698	1853-0019	2N3494	02037	1853-0071	2N4338	02883	1855-0341
2N1306	01921	1850-0064	2N3501(SEL)	02037	1854-0813	2N4342	02237	1855-0056
2N1307	01698	1851-0025	2N3553	01921	1854-0308	2N4348	01921	1854-0382
2N1308	01698	1850-0173	2N3563	02237	1854-0418	2N4351	02037	1855-0380
2N1309	01698	1851-0037	2N3585	01921	1854-0282	2N4352	02037	1855-0309
2N1358	01698	1850-0151	2N3633	01921	1854-0643	2N4360	02237	1855-0052
2N1377	05840	1850-0150	2N3634	01991	1854-0315	2N4384	02634	1854-0226
2N1482	01698	1850-0170	2N3635	02037	1853-0028	2N4384 CHIP	03406	1854-0771
2N1499A	03571	1854-0093	2N3637	02037	1853-0462	2N4391	02883	1855-0420
2N1523	05840	1850-0194	2N3638	02037	1853-0675	2N4391	02883	1855-0630
2N1671A	01973	1855-0001	2N3640RLRA1	02037	1853-0638	2N4391(CHIP)	02883	1855-0653
2N1671B	01973	1855-0021	2N3646	02037	1853-0665	2N4392	02037	1855-0386
2N1671C	01973	1855-0077	2N3663	02237	1854-0432	2N4392	02037	1855-0829
2N1701	01921	1854-0062	2N3685	01973	1854-0219	2N4393	02883	1855-0414
2N1701	01921	1854-0613	2N3703	03714	1855-0430	2N4398	02037	1853-0310
2N1760	02783	1850-0406	2N3713	01698	1853-0023	2N4401	02037	1853-0421
2N2060	02037	1854-0761	2N3714	02037	1854-0252	2N4401	02037	1854-0467
2N2102	01921	1854-0067	2N3715	02037	1854-1018	2N4401	02037	1854-0832
2N2194	01698	1854-0281	2N3715	02037	1854-0264	2N4401	02037	1854-1039
2N2218	02037	1854-0053	2N3725	01698	1854-0547	2N4401	02037	1854-1126
2N2218A	02037	1854-0013	2N3725A	01698	1854-0687	2N4403	02037	1853-0271
2N2219A	02037	1854-0637	2N3737	02037	1854-0988	2N4403	02037	1853-0419
2N2221	02037	1854-0032	2N3739	02037	1854-0324	2N4403	02037	1853-0565
2N2221A	02037	1854-1245	2N3740	02037	1853-0052	2N4405	02037	1853-0650
2N2222	02037	1854-0210	2N3741	02037	1853-0392	2N4405	02037	1854-0365
2N2222A	02682	1854-0477	2N3762	02037	1853-0429	2N4410	01698	1855-0327
2N2223	02037	1854-0014	2N3766	02037	1854-0259	2N4416	02037	1855-0276
2N2369	02237	1854-0030	2N3771	01921	1854-0313	2N4416A CHIP	02037	1855-0256
2N2369A	02037	1854-0809	2N3771	01921	1854-0566	2N4428	02037	1854-0851
2N2405	01921	1854-0352	2N3771	01921	1854-1124	2N4453	02037	1855-0099
2N2430	03334	1851-0041	2N3772	01921	1854-0519	2N4457	03406	1855-0244
2N2432A	01698	1854-0557	2N3772(SEL)	02037	1854-1051	2N4860	02037	1855-0632
2N2483	02237	1854-0304	2N3773	01921	1854-0733	2N4891	01698	1855-0065
2N2501	02037	1854-0211	2N3789	02037	1853-0031	2N4900	02037	1853-0323
2N2538	01698	1854-0213	2N3791	02037	1853-0059	2N4902	02037	1853-0223
2N2540	02037	1854-0786	2N3792	02037	1853-0311	2N4912	02037	1854-0399
2N2552	01698	1850-0181	2N3799	02037	1853-0360	2N4917	02237	1853-0089
2N2556	01698	1850-0076	2N3799	01698	1853-0451	2N4917	02237	1853-0597
2N2608	03406	1855-0297	2N3808	02037	1853-0594	2N4917	02237	1853-0640
2N2646	04550	1855-0010	2N3809	02037	1853-0269	2N4917-J25Z	03406	1853-0708
			2N3811	02037	1853-0673	2N4918	02037	1853-0084

Transistor/Diode Cross Reference – JEDEC No. to HP P/N

JEDEC	Mfr.	HPP/N	JEDEC	Mfr.	HPP/N	JEDEC	Mfr.	HPP/N
2N4919	02037	1853-0222	2N5956	02037	1853-0303	2SB737	00746	1853-0550
2N4920	02037	1853-0204	2N5963	02237	1854-0548	2SB965	00039	1853-0631
2N4922	02037	1854-0389	2N5986 (SELECTED)	02037	1853-0378	2SC1623	03334	1854-1132
2N4923	02037	1854-0347	2N6027	04550	1855-0314	2SC2275	00039	1854-1119
2N4959	02037	1853-0430	2N6028	04550	1855-0346	2SC2334	00039	1854-0860
2N4966	01698	1854-0397	2N6049	02037	1853-0413	2SC2429 (SEL)	06344	1854-0940
2N5039	01921	1854-0762	2N6051	02037	1853-0391	2SC2690	00039	1854-1115
2N5070	01921	1854-0386	2N6053	02037	1853-0351	2SC2718	00039	1854-1112
2N5087	03406	1853-0086	2N6055	02037	1854-0611	2SC2876	06354	1854-1003
2N5088	02037	1854-0392	2N6056	02037	1854-0774	2SC2878	06354	1854-1041
2N5088	03406	1854-1040	2N6057	02037	1854-0669	2SC2987	00039	1854-1118
2N5088	02037	1854-1207	2N6107	01921	1853-0371	2SC2987A	00039	1854-1113
2N5088	01979	1850-0154	2N6109 (SEL)	02037	1853-0667	2SC3281	06354	1854-1117
2N5105	03334	1855-0322	2N6109	02037	1853-0469	2SD1288	00039	1853-0630
2N5109	01921	1854-0378	2N6124	02037	1853-0661	2SD1378	00746	1854-1187
2N5114	02883	1855-0421	2N6211	01921	1853-0328	2SD786	00746	1854-1136
2N5115	02883	1855-0402	2N6213	02037	1853-0670	2SK523	00039	1855-0570
2N5115 (SEL)	03406	1855-0540	2N6248	01921	1853-0439	2SK533	00039	1855-0571
2N5116	03714	1855-0278	2N6254	01921	1854-0755	2SK680-T1	00039	1855-0806
2N5116	03406	1855-0413	2N6258	01921	1854-0576	35821E	02062	1854-0769
2N5179	02037	1854-0345	2N6259	01921	1854-0577	35MB60A	03038	1906-0390
2N5179	01921	1854-0431	2N6259	02037	1854-1133	3I 05	02664	1901-0699
2N5179 (SEL)	02037	1854-0994	2N6261	01921	1854-0738	3N128	01921	1855-0306
2N5179 (SEL)	02037	1854-1043	2N6282	02037	1854-0671	3N138	01921	1855-0332
2N5189	01921	1854-0570	2N6289	01921	1854-0837	3N163	02883	1855-0432
2N5191	02037	1854-0368	2N6290	11981	1854-0881	3N172	03714	1855-0323
2N5192	02037	1854-0453	2N6292	01921	1854-0765	3N190	03714	1855-0279
2N5193	02037	1853-0236	2N6292	01921	1854-0917	3N190	03714	1855-0396
2N5194	02037	1853-0212	2N6294	02037	1854-0698	3M215	01698	1855-0250
2N5198	02883	1855-0301	2N6296	02037	1853-0383	3M91	02634	1853-0057
2N5210	02037	1854-0409	2N6296	02037	1854-0662	3SF1	02664	1901-0674
2N5217	03776	1854-0286	2N6298	02037	1853-0617	3SF2	02664	1901-0988
2N5239	01921	1854-1085	2N6300	02037	1854-0648	40250	01921	1854-0224
2N5245	02037	1855-0688	2N6305	02037	1854-0785	40313	01921	1854-0383
2N5245 (SEL)	02037	1855-0690	2N6306	02037	1854-0623	40346	01921	1854-0095
2N5246	01698	1855-0285	2N6306	01921	1854-0767	40394	01921	1853-0087
2N5247	03406	1855-0257	2N6308	02037	1854-0624	40673	01921	1855-0534
2N5262	01921	1854-0363	2N6315	02037	1854-0756	40831	01921	1853-0342
2N5266	02037	1855-0721	2N6317	02037	1853-0418	40852	01921	1854-0617
2N5268	02037	1855-0277	2N6331	01698	1853-0381	40HT1100S05	03038	1901-1316
2N5294	01921	1854-0370	2N6338	02037	1854-0741	40H04030	03038	1901-0859
2N5301	02037	1854-0398	2N6339	02037	1854-0746	5082-0001	02062	1901-0881
2N5301	01921	1854-0999	2N6340	02037	1854-1145	5082-0001	02062	1900-0093
2N5320	01698	1853-0349	2N6354	01921	1854-0715	5082-0001 SELECTED	02062	1900-0057
2N5396	02763	1855-0283	2N6420	02037	1853-0548	5082-0007	02062	1901-0169
2N5397	03406	1855-0250	2N6423	02037	1853-0414	5082-0009	02062	1900-0060
2N5397	03406	1855-0498	2N6429A	02037	1854-0831	5082-0030	02062	1900-0066
2N5400	02037	1853-0457	2N6437	02037	1853-0526	5082-0049	02062	1900-0025
2N5401	02037	1853-0264	2N6474	01921	1854-0727	5082-0830	02062	1901-1193
2N5415	01921	1853-0224	2N6476	01921	1853-0406	5082-1001	02062	1901-1289
2N5415	03334	1853-0493	2N6477	01921	1854-0737	5082-1006	02062	1901-1232
2N5416	01921	1853-0221	2N6488	01921	1854-0884	5082-2272	02062	1906-0252
2N5416 (SEL)	02037	1853-0576	2N6489	02037	1853-0365	5082-2279	02062	1900-0231
2N5427	02037	1854-0758	2N6490	02037	1853-0478	5082-2370	02062	1906-0234
2N5428	02037	1854-0596	2N6491	02037	1853-0542	5082-2755	02062	1901-0920
2N5428	02037	1854-0766	2N6497	02037	1854-0839	5082-2794	02062	1900-0088
2N5429	02037	1854-0586	2N6499	02037	1854-0889	5082-2800 SELECTED	02062	1900-0089
2N5432	03406	1855-0292	2N6520	02037	1853-0437	5082-2804	02062	1906-0204
2N5461	02037	1855-0689	2N6545	02037	1854-0787	5082-2805	02062	1901-0545
2N5474	02037	1855-0379	2N6554	02037	1853-0558	5082-2810	02062	1901-1131
2N5485 (SEL)	02037	1855-0096	2N6584	01691	1854-0848	5082-2826	02062	1906-0082
2N5486	02037	1855-0255	2N6609	02037	1853-0487	5082-2826 SELECTED	02062	1900-0069
2N5519	02883	1855-0398	2N6658	02883	1855-0293	5082-2830	02062	1906-0210
2N5544	02569	1855-0071	2N6659	02037	1855-0251	5082-2830	02062	1900-0079
2N5551	02037	1854-0474	2N6659	02883	1855-0614	5082-2831	02062	1900-0083
2N5556	02883	1855-0288	2N6660	02883	1855-0575	5082-2831	02062	1900-0087
2N5565	02883	1855-0232	2N6667	02037	1853-0666	5082-2835	02062	1901-1085
2N5578	01921	1854-0708	2N6678	01921	1854-0871	5082-3042	02062	1901-1119
2N5583	02037	1853-0293	2N6709	10881	1853-0573	5082-3080	02062	1901-0639
2N5679	02037	1853-0585	2N6741	02062	1854-0971	5082-3140	02062	1900-0099
2N5681	02037	1854-1062	2N6837	02037	1854-1122	5082-3141	02062	1900-0228
2N5684	02037	1853-0428	2N7000	02883	1855-0667	5082-3900	02062	1901-0875
2N5771	02037	1853-0540	2N7000	02037	1855-0727	5082-5232	02062	1901-0747
2N5836	02037	1854-1129	2N7002	02883	1855-0734	5082-5414	02062	1901-0517
2N5840	02237	1854-0751	2N7008	02237	1854-0005	5082-5507	02062	1901-0385
2N5875	02037	1853-0305	2N7009	02037	1854-0009	5082-5509	02062	1901-0518
2N5876	02037	1853-0344	2N7330	01698	1854-0289	5082-5541	02062	1901-1068
2N5877	02037	1854-0518	2N779A	01979	1850-0075	5082-5580	02062	1901-1097
2N5878	02037	1854-0743	2N779A	06632	1850-0441	50L200	02158	1901-0738
2N5880	02037	1853-0053	2N834	02037	1854-0010	50SQ080	03038	1901-1267
2N5880	02037	1853-0407	2N835	02037	1854-0011	5KP5 OA	03287	1901-1211
2N5883	02037	1853-0425	2N918	02237	1854-0021	5KP75A	03287	1901-1284
2N5884	02037	1853-0340	2N964	06632	1850-0099	5M172S2	02037	1902-0918
2N5885	02037	1854-0679	2N976	01979	1850-0137	5M182S2	02037	1902-0919
2N5886	02037	1854-0697	25A1151	00039	1853-0624	5M232S2	02037	1902-0981
2N5905	02883	1855-0400	25A1186	10646	1853-0710	5M282S2	02037	1902-0982
2N5911/D	03714	1855-0661	25A1220	00039	1853-0629	5M302S2	02037	1902-0980
2N5912	03406	1855-0213	25A1226	00039	1853-0588	60CDQ045	03038	1906-0374
2N5912	03285	1855-0507	25A1227	00039	1853-0632	673-2	00046	1906-0035
2N5912CHP	02883	1855-0669	25A1227A	00039	1853-0622	698-1	00046	1906-0090
2N5943	02037	1854-0597	25A1302	06354	1853-0621	72006	04550	1853-0479
2N5943 (SEL)	02037	1854-1007	25A812	03334	1853-0636	80SQ030	03038	1901-0921
2N5949	03406	1855-0258	25A985	00039	1853-0633	95-4492	03038	1906-0250
2N5954	01921	1853-0277	25B1007	00746	1853-0674	A114A	01973	1901-0690

Transistor/Diode Cross Reference – JEDEC No. to HP P/N

JEDEC	Mfr.	HPP/N	JEDEC	Mfr.	HPP/N	JEDEC	Mfr.	HPP/N
A114A	04550	1901-1092	BFR93R	03334	1854-1243	BZX84C75	03334	1902-1580
A114D	04550	1901-0696	BFR94	03334	1854-1036	BZX84C7V5	02037	1902-1512
A115A	01973	1901-0691	BFR95	03334	1854-0721	BZX84C75	10818	1902-3129
A115F	04550	1901-1091	BFR96	02037	1854-1049	C7254	03811	1858-0081
A14B	01973	1901-0879	BFR90	02037	1854-0972	CA3018	01921	1820-0352
A14D	01973	1901-0327	BFT46	03334	1855-0640	CA3019	01921	1901-0557
A14M	04550	1901-0328	BFT92	03334	1853-0616	CA3026	01921	1820-0240
A14N	01973	1901-0329	BFT92R	03334	1853-0717	CA3045	01921	1821-0002
A14P	01973	1901-0532	BFT93	03334	1853-0612	CA3045H	01921	1858-0064
A15A	01973	1901-0673	BFT93	06121	1853-0698	CA3046	01921	1821-0001
A15BK107	11981	1901-0968	BFX09	03334	1854-0723	CA3049	01921	1858-0004
A15F	04550	1901-0754	BFY90	02037	1854-1063	CA3081E	01921	1858-0023
A211	03334	1854-0435	BR102	12810	1906-0377	CA3082E	01921	1858-0048
A2S097	04507	1901-0531	BS170	02883	1855-0668	CA3082F	01921	1858-0057
A2S832	04507	1900-0092	BS170	02037	1855-0696	CA3083	01921	1858-0021
A2X1501	04507	1901-1107	BSR33	03334	1853-0688	CA3083E	04550	1858-0142
A2X2118	04507	1900-0043	BSR43	03334	1854-1206	CA3096E	01921	1858-0118
A3604	03334	1854-1164	BSR60	03334	1853-0712	CA3102E	01921	1858-0046
A400 (SEL)	03334	1854-1120	BSS123	06121	1855-0750	CA3127E	01921	1858-0063
A440	03334	1853-0553	BSS84	06121	1855-0768	CA3127M	01921	1858-0040
A4S021 SELECTED	02865	1901-1132	BSS87	06121	1855-0761	CA3146E	04550	1858-0135
A4X665	04507	1900-0034	BSS88	06121	1855-0779	CA3183E	01921	1858-0032
A5S092 SELECTED	04507	1900-0036	BST16	03334	1853-0687	CA3227E	04550	1858-0133
A5T4260	01698	1853-0404	BST39	03334	1854-1203	CA3227E	03799	1858-0144
A5X1046	04507	1900-0042	BST82	05946	1855-0744	CA3246E	04550	1858-0140
AD814	03285	1854-0619	BU406	02037	1854-1006	CA3246M	03799	1858-0146
AD821 (SPEC)	03285	1858-0036	BU505	03334	1854-1157	CBR10F-010P	11699	1906-0368
AT-41400	03291	1854-1144	BU508A	02037	1854-1005	CBR1F-010	11699	1906-0051
AT-41435-5	03291	1854-1067	BU807	02037	1854-1165	CD36191	02763	1902-0121
AT-60586	03291	1854-1209	BUX456-800A	03334	1855-0679	CEN611	11699	1901-1277
AT-8160	03291	1855-0720	BUS-12A	03334	1854-0780	CEN662	11699	1901-1287
ATR-20135	03291	1855-0808	BUS11	06023	1854-0665	CEN672	11699	1854-0529
BA220	03334	1901-0022	BUS11A	03334	1854-1183	CG75L	04504	1901-1325
BA482	03334	1901-1253	BUS12	03334	1854-1182	CH4106-25-1X	02688	1902-0903
BA483	03334	1901-1134	BUM11A	02037	1854-1166	CH4627-25-1X	02688	1902-1322
BAL 74	10881	1901-1114	BUM22A	03334	1854-1019	CL4720	02883	1902-1295
BAR42	11708	1901-1254	BUX82	06023	1854-0891	CLA3132-86	02865	1900-0046
BAS 40-04	06121	1906-0320	BUZ 15	06121	1855-0523	CP4071	00746	1854-0071
BAS 40-05	06121	1901-1264	BUZ10	06121	1855-0553	CPY203E	03038	1855-0822
BAS16	02237	1901-1227	BUZ10H	06121	1855-0671	CSB7002-05-150-801	02865	1900-0246
BAS17	03334	1902-1556	BUZ11	03334	1855-0645	CSB7201-01	02865	1900-0668
BAS19	03334	1901-1150	BUZ24	06121	1855-0539	CT-1058	04200	1854-0810
BAS31	03334	1906-0365	BUZ71A	06121	1855-0548	D1561CE	02688	1901-0536
BAS40	06121	1901-1305	BUZ71A	06121	1855-0568	D40D4	02037	1854-1086
BAS40-06	06121	1906-0332	BVZ90	06121	1855-0766	D40N1	03406	1854-1237
BAS45	03334	1901-1344	BY 205-100	01698	1901-0837	D41D4	02037	1853-0595
BAS56	03334	1906-0337	BY205-400	01698	1901-0835	D42C11N	04550	1854-0998
BAS70-04	06121	1906-0331	BY505	03334	1901-1308	D44H11	04550	1854-0872
BAT17	03334	1901-1151	BTD33D	03334	1901-1198	D44H5	04550	1854-0635
BAT54	03334	1901-1320	BTD33M	03334	1901-1246	D45H11	04550	1853-0497
BAT83	03334	1901-1279	BTV59-300	03334	1901-0887	D45H2	04550	1853-0472
BAT85	03334	1901-1183	BTV26C SELECTED	03334	1901-1220	D45H5	04550	1853-0494
BAV10 SELECTED	03334	1901-1164	BTV27-100	06002	1901-1118	D471AR	02688	1901-0660
BAV23S	03334	1901-1269	BTV27-150	03334	1901-1112	D505AC	02688	1901-0686
BAV70	02037	1901-1144	BTV27-200	03334	1901-1141	D583CG	02688	1901-0655
BAV74 SELECTED	03334	1901-1224	BTV32-150	03334	1906-0296	D5848	02865	1901-0655
BAV99	03334	1906-0303	BTV36C	03334	1901-1223	D5848	03287	1901-1315
BAW78B	06121	1901-1345	BTV36E	03334	1901-1249	D5848	00746	1906-0293
BC321C-18	02237	1853-0366	BTV95C	07766	1901-1138	DA15CM	02865	1901-0985
BC415C	06121	1853-0703	BW29-150	03334	1901-1293	DAN601	02865	1900-0053
BC636	02037	1853-0692	BW29-200AC	02037	1901-1272	DDC 4565-96	02865	1900-0056
BCF70	03334	1853-0599	BW29-50	03334	1901-0858	DDC5652D	04550	1901-0905
BCW65C	02037	1854-1150	BW80-100	10881	1901-1126	DE111	04550	1901-0905
BCX18	10881	1853-0545	BZV47C5V6	04078	1902-1582	DE131	04550	1901-1255
BCX20	10881	1854-0987	BZV49-C12	03334	1902-1568	DF01	02713	1906-0284
BCX53AH	03334	1853-0691	BZV61V4	03334	1902-1568	DF04	02713	1906-0283
BCX56BH	03334	1854-1208	BZV61V4	03334	1901-1278	DF04M	04504	1906-0069
BCY 57/LV2345	03334	1854-0307	BZV65-56B	11708	1902-1523	DF06M	02713	1906-0306
BD139	02037	1854-0805	BZT75-C2V1	03334	1901-1160	DME6553	02865	1900-0662
BD140	03334	1853-0690	BZX83A5V1	02037	1902-1374	DME6569	02865	1900-0037
BD415	02037	1854-1004	BZX84-B13	03334	1902-1548	DMP5835A	02865	1900-0661
BD416	02037	1853-0557	BZX84-B18	03334	1902-1549	DMP5848	02865	1906-0294
BD435	02037	1854-1121	BZX84-B20	03334	1902-1550	DMJ4705 SELECTED	02865	1900-0311
BF258	01698	1854-0621	BZX84-B24	03334	1902-1588	DMJ4708	02865	1906-0279
BF511	03334	1855-0807	BZX84-B2V7	03334	1902-1563	DMJ4768	02865	1900-0059
BF569	03334	1853-0611	BZX84-B30	03334	1902-1591	DN2094	02883	1855-0659
BF080	03334	1853-0666	BZX84-B4V3	03334	1902-1562	DPAD 100	02883	1906-0100
BFQ 32	03334	1853-0527	BZX84-B75	03334	1902-1589	DPAD1	02883	1906-0282
BFQ19	03334	1854-1054	BZX84-C12	03334	1902-1487	DPAD10	02883	1906-0325
BFQ23C	05946	1853-0672	BZX84-C15	03334	1902-1572	DSG 6474-44	02865	1900-0032
BFQ34	03334	1854-0942	BZX84-C24	03334	1902-1564	DSR3700X	04507	1901-1116
BFQ51	03334	1853-0544	BZX84-C24H	03334	1902-1570	DSR3800X	04507	1901-1115
BFQ65	03334	1854-1234	BZX84-C3V9	03334	1902-1519	DSR5500X	04507	1901-0893
BFR 36	06592	1854-0868	BZX84-C43	03334	1902-1590	DT790107A	02688	1902-0692
BFR90	03334	1854-0591	BZX84-C43	03334	1902-1565	DTS-802	10674	1854-0705
BFR90	11021	1854-0716	BZX84-C68	03334	1902-1595	DTS413	05840	1854-0086
BFR91	03334	1854-0632	BZX84C10	03334	1902-1544	DZ70302N	02688	1902-0570
BFR91A	03334	1854-1050	BZX84C11	05942	1902-1558	E107	02883	1855-0280
BFR92	10881	1854-0986	BZX84C3V3	03334	1902-1541	E111	02883	1855-0206
BFR92 (SELECTED)	03334	1854-1045	BZX84C3V6	03334	1902-1543	E232	02883	1855-0274
BFR92R	03334	1854-1247	BZX84C5V1	03334	1902-1592	ED640	05131	1901-0591
BFR93	03334	1854-1055	BZX84C5V6	10881	1902-1424	ECP30B	02713	1901-1147
BFR93A	06121	1854-1217	BZX84C6V2	03334	1902-1542	F54011A	03406	1855-0693
			BZX84C6V8	03334	1902-1574	FD777	02237	1901-0179

Transistor/Diode Cross Reference – JEDEC No. to HP P/N

JEDEC	Mfr.	HP P/N	JEDEC	Mfr.	HP P/N	JEDEC	Mfr.	HP P/N
FDB-400	02237	1901-0096	IRF520	03038	1855-0461	KBPC-W35-04 (SELECTED)	02713	1906-0281
FDR444	02237	1901-1067	IRF521	03038	1855-0581	KBPC-W35-06	02713	1906-0305
FDS01203	02237	1906-0358	IRF522	03038	1855-0622	KBPC108	04504	1906-0356
FDS01501	02237	1901-1261	IRF523	03038	1855-0572	KBPC12-02-W	02713	1906-0272
FDS01503	02237	1906-0334	IRF524	03038	1855-0586	KBPC1202P-1	04504	1906-0043
FDS01505	02237	1906-0359	IRF530	03038	1855-0492	KBPC25005P-11	04504	1901-0525
FDS01703	03406	1906-0387	IRF533	03038	1855-0592	KBPC35-02	04504	1906-0348
FE16F	02713	1901-1143	IRF540	02037	1855-0670	KBPC3506	04504	1906-0389
FE6B	04504	1901-1273	IRF540 (SEL)	02037	1855-0590	KBPC602	04504	1906-0349
FEM16CT7	02713	1906-0308	IRF610	03038	1855-0488	KBPC606	02713	1906-0255
FEP16BT	04504	1906-0357	IRF612	03038	1855-0641	KBW4G	02713	1906-0201
FEP16GT-3	02713	1906-0295	IRF630	03038	1855-0504	KBUBB	04504	1906-0343
FES6GT	02713	1901-1140	IRF640	03038	1855-0524	LCET7.0	04078	1906-0364
FN2645	02883	1855-0395	IRF740	03038	1855-0631	LL4148	04886	1901-1162
FP1047A	05027	1901-1326	IRF830	03038	1855-0510	LL4733A	04886	1902-1491
FS2509P	02237	1906-0339	IRF9130	03038	1855-0484	LL4740A	04886	1902-1490
FS2565P	02237	1906-0324	IRF9513	03038	1855-0588	LL4742A	04886	1902-1492
FS2619P	02237	1906-0257	IRF9521	03038	1855-0509	LL4744A	04886	1902-1489
FS3157P	02237	1906-0074	IRF9522	03038	1855-0587	LL4744A	04886	1902-1488
FS3237P	02237	1906-0315	IRF9530	03038	1855-0493	LL5248	02037	1902-1462
FT575HM	12010	1858-0115	IRF9531	03038	1855-0499	LM-39BBH	03406	1854-0826
FT575SM	12010	1858-0109	IRF9532	03038	1855-0517	LM103-2.4	03406	1820-0225
GER110H	02158	1901-0739	IRF9220	03038	1855-0726	LM103-3.0	03406	1902-1406
GES3416	04550	1854-0978	IRF9230	03038	1855-0812	LM114AH	03406	1854-0646
GI250-3	02713	1901-0490	IRF9220	03038	1855-0802	LM3018AH	03406	1858-0045
GP10Y	04504	1901-1260	IRF9230	03038	1855-0786	LM3046M	03406	1858-0123
GP30B	02713	1901-1135	IRF9220	03038	1855-0777	LM3146M	03406	1858-0145
GX55220A	03287	1854-0869	IRF9230	03038	1855-0781	LM394	03406	1854-0830
H1601-1.5	05088	1901-1251	IRF9220	03038	1855-0502	LM394BW	03406	1854-1199
H1651-12	05088	1901-1197	IRF9230	03038	1855-0518	LS352	13127	1853-0316
H2745-9	05088	1901-0974	IRF9220	02883	1855-0709	LT1839-1	04507	1854-1029
H617	05088	1901-0768	IRF9230	02883	1855-0729	LT5239	04507	1853-0583
H13-0302-5	03171	1901-0001	IRF9220	03038	1855-0712	LVA 456A	04507	1902-1352
HMF-0310-100	03799	1855-0719	IRF9230	03038	1855-0551	LVA43A	04507	1902-0906
HMF-0620	03799	1855-0714	IRF9220	03038	1855-0832	LVA56A	04507	1902-0905
HP-4	05176	1854-0747	IRF9220	03038	1855-0500	LVA68A	04507	1902-0907
HPND-0001	02062	1901-1317	IRF9210	03038	1855-0522	M100	02883	1855-0427
HPND-4028	02062	1900-0249	IRF9210	03038	1855-0567	M2X1282	08852	1900-0232
HSCN-1001	02062	1901-0841	IRF9210	03038	1855-0711	M2X1527	08852	1900-0234
HSCN-3486	02062	1901-0883	IRF9210	02883	1855-0580	M2X1569	08852	1900-0236
HSCN-5312	02062	1900-0071	IRF9210	03038	1855-0646	M2X1577	08852	1900-0241
HSCN-5316	02062	1901-1102	IRF9210	03038	1855-0521	M2X1625	08852	1900-0226
HSCN-5330	02062	1900-0206	IRF9210	03038	1855-0797	M4X1055	08852	1855-0739
HSCN-5336 (SELECTED)	02062	1900-0076	IRF9210	03038	1855-0752	M5911	02883	1900-0247
HSCN-5510	02062	1900-0035	IRF9210	03038	1855-0792	M5X1365	08852	1900-0041
HSCN-5512	02062	1900-0070	IRF9210	04550	1855-0691	MA-40035	02788	1900-0040
HSCN-6332	02062	1900-0065	IRF9210	03038	1855-0682	MA-NEK02L	02788	1900-0047
HSCN-9101	02062	1900-0251	IRF9210	03038	1855-0756	MA-NP203-287	05695	1900-0047
HSMP-3830-T30	02062	1900-0096	IRF9210	03038	1855-0833	MA4P202L	02788	1906-0285
HSMP3800	02062	1900-0100	IRF9210	03038	1855-0773	MA4P485	02788	1900-0045
HSMS-0002	02062	1901-1247	IRF9210	03038	1855-0811	MA4P550	02788	1900-0201
HSMS-0003	02062	1900-0240	IRF9210	03038	1855-0732	MAD1108P	02037	1906-0344
HSMS-2800	02062	1900-0078	IRF9210	03038	1855-0759	MAD130P	02037	1906-0312
HSMS-2805	02062	1900-0245	IRF9210	03038	1855-0749	MAT-01GH	02180	1854-0712
HSMS-2808	02062	1900-0205	IRF9210	03038	1855-0810	MAT-02EH	02180	1854-1181
HSMS-2812	02062	1900-0091	IRF9210	03038	1855-0748	MAT-04EY	02180	1858-0138
HSMS-2813	02062	1900-0220	IRF9210	03038	1855-0758	MAT-04FZ	02180	1858-0110
HSMS-2814	02062	1900-0239	IRF9210	03038	1855-0683	MB106	02537	1906-0369
HSMS-2814 #T31	02062	1900-0221	IRF9210	03038	1855-0694	MB351	12810	1906-0391
HSMS-2818-#8	02062	1900-0217	IRF9210	03038	1855-0815	MB4V70	02037	1906-0336
HSMS-2822	02062	1900-0224	IRF9210	03038	1855-0406	MB4V74	02037	1906-0335
HSMS-2823	02062	1900-0202	IRF9210	03714	1855-0625	MB4V99	02037	1906-0291
HSMS-2825	02062	1900-0074	IRF9210	03714	1854-0957	MB4V99	02037	1906-0290
HSMS2810	02062	1900-0216	IRF9210	03714	1853-0635	MB4V99	02037	1901-1145
HSMS2820	02062	1854-0863	IRF9210	03714	1855-0098	MB4V99	02037	1900-0250
HSMS2824	02062	1854-1238	IRF9210	03714	1855-0535	MBD201	02037	1901-1213
HXTR-2101	02062	1854-0944	IRF9210	03714	1855-0434	MBD501	02037	1901-1078
HXTR-3001	02062	1854-1093	IRF9210	03714	1854-0992	MBD5300	02037	1901-0661
HXTR-3101	02062	1854-1033	IRF9210	01973	1855-0442	MBD550A	02037	1901-0760
HXTR-3102	02062	1854-1033	IRF9210	04886	1901-0703	MBI-101	02037	1901-0860
HXTR-3675	02062	1854-1033	IRF9210	03714	1855-0431	MBR-3535	02037	1901-1297
HXTR-5002	02062	1854-0825	IRF9210	03714	1855-0489	MBR030	02037	1901-0986
HXTR-5002	02062	1854-0862	IRF9210	02883	1855-0445	MBR1060	02037	1906-0276
HXTR-5102	02062	1854-1123	IRF9210	03406	1855-0424	MBR1535CT	02037	1901-1095
HXTR-5104	02062	1854-0878	IRF9210	02883	1855-0446	MBR1540	02037	1901-1152
HXTR-6105	02062	1854-0864	IRF9210	02883	1855-0574	MBR1645	02037	1906-0307
IC914	02037	1901-1285	IRF9210	02883	1855-0289	MBR20045CT	02037	1906-0286
ICTE-12	03287	1902-0941	IRF9210	02883	1855-0298	MBR2035CT	02037	1906-0292
ID101	03714	1906-0268	IRF9210	03406	1855-0437	MBR3035CT	02037	1906-0267
IN401A	03714	1858-0066	IRF9210	02883	1855-0793	MBR3045PT	02037	1906-0360
IN4690	02037	1902-1431	IRF9210	03406	1855-0425	MBR340	02037	1901-1303
IN5365B	02037	1902-1345	IRF9210	03406	1855-0554	MBR340P	02037	1901-0877
IR5062	03038	1854-0804	IRF9210	02883	1855-0268	MBR3545	02037	1901-0912
IRC530	03038	1855-0735	IRF9210	02037	1902-0973	MBR745	02037	1901-1173
IRF045	03038	1855-0775	JAN TXV 1N825	02037	1854-0829	MBRD320	02037	1901-1257
IRF120	03038	1855-0531	JAN TXV 2N2222A	02237	1902-0697	MBRD330	02037	1901-1268
IRF130	03038	1855-0494	JANTX1N750A	02237	1901-1101	MBRD350	02037	1901-1283
IRF140	02037	1855-0618	JANTXV 1N4148-1	02037	1853-0477	MBRD650CT	02037	1906-0367
IRF150	03038	1855-0508	JANTXV 2N2222A	02883	1901-1181	MBRL030-T1	02037	1901-1204
IRF250	03038	1855-0562	JANTXV2N3251A	02037	1853-0290	MBS140T3	02037	1901-1332
IRF431	03038	1855-0454	JPAD20	02713	1906-0233	MC1107P	02037	1906-0229
IRF440	03038	1855-0536	JTX2907A	04504	1906-0366	MC1411	02037	1858-0089
IRF510	03038	1855-0561	KBFO6					
IRF512	03038	1855-0549	KBL08					
IRF513	03038	1855-0589						

Transistor/Diode Cross Reference – JEDEC No. to HP P/N

JEDEC	Mfr.	HP P/N	JEDEC	Mfr.	HP P/N	JEDEC	Mfr.	HP P/N
MC3346D	02037	1858-0131	MJE2361-T	02037	1854-0749	MMBF5459	03406	1855-0753
MD1130	02037	1853-0529	MJE241	02037	1854-0808	MMBF5460L	02037	1855-0828
MD1132	02037	1854-1035	MJE243	02037	1854-0794	MMBFJ175	03406	1855-0731
MD2252	02037	1854-0222	MJE244	02037	1854-0754	MMBFJ176	03406	1855-0746
MD2369A	02037	1854-1016	MJE251	02037	1853-0458	MMBFU310	02037	1855-0681
MD4260	02037	1853-0589	MJE253	02037	1853-0447	MMBR49051	02037	1853-0620
MD6002	02037	1853-0663	MJE2801K	02037	1854-0640	MMBR5031	02037	1854-1201
MD9184	02037	1854-1010	MJE2801T	02037	1854-0819	MMBR5179	02037	1854-1083
MDA 990-3	02037	1906-0017	MJE2901T	02037	1853-0547	MMBR536	02037	1853-0705
MDA-104	02037	1906-0094	MJE3302	02037	1854-0886	MMBR571	02037	1854-1246
MDA202G	02037	1906-0096	MJE371K	02037	1853-0369	MMBR901	02037	1854-1108
MDA202G	02037	1906-0351	MJE371K	02037	1853-0634	MMBR920	02037	1854-1231
MDA208	02037	1906-0219	MJE371K (SELECTED)	02037	1853-0450	MMBR931	02037	1854-1027
MDA2500	02037	1906-0008	MJE5191	02037	1854-0682	MMBT2222A	02037	1854-1053
MDA2502	02037	1906-0007	MJE5192	02037	1854-0654	MMBT2369	02037	1854-1095
MDA2504	02037	1906-0222	MJE5195	02037	1853-0372	MMBT2907A	02037	1853-0525
MDA2506	02037	1906-0016	MJE521K	02037	1854-0532	MMBT3640	02037	1853-0706
MDA2506	02037	1906-0224	MJE521K	02037	1854-0653	MMBT3904	02037	1854-1037
MDA3500	02037	1906-0221	MJE5657	02037	1854-1127	MMBT3906	02037	1853-0967
MDA3501	02037	1906-0093	MJE5740	02037	1854-0736	MMBT4124T1	02037	1854-1138
MDA3502	02037	1906-0266	MJE5850	02037	1854-1204	MMBT4126	02037	1853-0645
MDA3504	02037	1906-0212	MJE5852	02037	1853-0584	MMBT4260	02037	1853-0637
MDA3506	02037	1906-0217	MJE6043	02037	1853-0657	MMBT4401	02037	1853-0637
MDA920A5	02037	1901-0365	MJE700	02037	1854-0879	MMBT4403	03406	1854-1188
MDA922-3	02037	1906-0028	MJE701	02037	1853-0347	MMBT4403	02037	1853-0580
MDA922-6	02037	1906-0027	MJE800	02037	1853-0364	MMBT5087	02037	1853-0568
MDA970A2	02037	1901-0638	MJE800	02037	1854-0581	MMBT5087T1	02037	1854-1137
MDA970A2	02037	1906-0258	MJE802	02037	1854-0633	MMBT5401	02037	1853-0581
MDA980-3	02037	1906-0032	MJE802	02037	1854-0626	MMBT5501	02037	1854-1052
MDA980-6	02037	1906-0049	MJE8501	02037	1854-1223	MMBT5512L	02037	1854-1248
MDA990-2	02037	1906-0058	MJH16010A	02037	1854-1219	MMBT5429	02037	1854-1014
MDS60	02037	1853-0539	MJH16012	02037	1854-1222	MMBT518	02037	1854-0929
MFE3004	02037	1855-0272	MLL4003T1	02037	1901-1161	MMBT906	02037	1854-1200
MFE930	02037	1855-0754	MLL5221	02037	1902-1441	MMBT A55	02037	1853-0566
MFQ960C	02037	1855-0651	MLL5223	02037	1902-1442	MMBT A56	02037	1853-0684
MFR961	02037	1854-0980	MLL5225	02037	1902-1443	MMBT A55	02037	1853-0684
MHQ2221	02037	1858-0009	MLL5226	02037	1902-1444	MMBT H10	02037	1854-1148
MHQ918	02037	1858-0094	MLL5227	02037	1902-1445	MMBT H24	02037	1854-1102
MJ10006	02037	1854-0948	MLL5228	02037	1902-1445	MMBT H81	02037	1853-0516
MJ11012	02037	1854-0845	MLL5229	02037	1902-1446	MMBV3401	02037	1901-1180
MJ11015	02037	1853-0501	MLL5230	02037	1902-1447	MMBV3401	02037	1901-1192
MJ11016	02037	1854-0887	MLL5231	02037	1902-1448	MMBZ5230	02037	1902-1524
MJ11021	02037	1853-0524	MLL5232	02037	1902-1449	MMBZ5231	02037	1902-1501
MJ12003	02037	1854-0941	MLL5233	02037	1902-1450	MMBZ5232B	02037	1902-1436
MJ12004	02037	1854-0964	MLL5234	02037	1902-1451	MMBZ5232B	02037	1902-1555
MJ12005	02037	1854-0969	MLL5235	02037	1902-1452	MMBZ5234B	02037	1902-1567
MJ12005 (SELECTED)	02037	1854-0983	MLL5236	02037	1902-1453	MMBZ5237BTL	02037	1902-1559
MJ12010	02037	1854-0906	MLL5237	02037	1902-1454	MMBZ5241B	02037	1902-1437
MJ13091	02037	1854-1060	MLL5239B	02037	1902-1455	MMBZ5257B	02037	1902-1535
MJ14000	02037	1854-1056	MLL5240	02037	1902-1456	MMCS2369	02037	1854-0752
MJ15003	02037	1854-0989	MLL5241	02037	1902-1457	MMD7000	02037	1906-0026
MJ16002 (SELECTED)	02037	1854-0984	MLL5242	02037	1902-1458	MMD810- E20	08852	1900-0050
MJ16012	02037	1854-1015	MLL5243	02037	1902-1459	MMD810- E20 SELECTED	08852	1900-0080
MJ16018	02037	1854-1071	MLL5246	02037	1902-1460	MMFQ-3906	02037	1858-0114
MJ2500	02037	1853-0387	MLL5246	02037	1902-1461	MMFQ2222A	02037	1858-0112
MJ3000	02037	1854-0618	MLL5250	02037	1902-1463	MMFQ2369	02037	1858-0143
MJ3772	02037	1854-0589	MLL5251	02037	1902-1464	MMFQ2907A	02037	1858-0113
MJ4035	02037	1854-0707	MLL5252	02037	1902-1465	MMFQ3799	02037	1858-0122
MJ4645	02037	1853-0348	MLL5254	02037	1902-1466	MMFQ3904	02037	1858-0120
MJE503	02037	1853-0713	MLL5257	02037	1902-1467	MMFQ6001	02037	1858-0129
MJE505	02037	1854-0965	MLL5258	02037	1902-1468	MMFQ6700	02037	1858-0139
MJD112	02037	1854-1190	MLL5259	02037	1902-1470	MNT3060A	02037	1854-0587
MJD117	02037	1853-0643	MLL5260	02037	1902-1471	MF312-78-69	07050	1854-1046
MJD122	02037	1854-1215	MLL5261	02037	1902-1472	MF318-52-62	07050	1854-0753
MJD127	02037	1853-0697	MLL5262	02037	1902-1473	MP833-1004	07050	1855-0515
MJD350	02037	1853-0701	MLL5263	02037	1902-1474	MPD200	01973	1901-0866
MJD42C	02037	1853-0704	MLL5266	02037	1902-1474	MPD400	01973	1901-1034
MJD44H11	02037	1854-1173	MLL5267	02037	1902-1475	MPF6660	02037	1855-0675
MJD44H11-1	02037	1854-1236	MLL5268	02037	1902-1476	MPF960	02037	1855-0594
MJD45H11	02037	1853-0655	MLL5270	02037	1902-1477	MPN3401	02037	1901-0844
MJD45H11-1	02037	1853-0711	MM3007	02037	1902-1478	MPN3404 RLRA	02037	1901-1298
MJD47	02037	1854-1172	MM3904	02037	1902-1479	MPN3500	02037	1901-0975
MJE 210	02037	1853-0398	MM3906	02037	1854-1255	MPQ2222P	02037	1858-0077
MJE 2370	02037	1853-0394	MM4018	02037	1854-0883	MPQ2369	02037	1858-0055
MJE 253	02037	1853-0417	MM4032	02037	1853-0276	MPQ2369	02037	1858-0100
MJE-13009	02037	1854-0827	MM4645	02037	1853-0440	MPQ2484	02037	1858-0091
MJE1090	02037	1853-0334	MM5262	02037	1853-0489	MPQ2907A	02037	1858-0010
MJE1091	02037	1853-0332	MM8001	02037	1853-0308	MPQ2907P	02037	1858-0076
MJE12007	02037	1854-0847	MM8006	02037	1854-0802	MPQ3546	02037	1858-0075
MJE13003	02037	1854-0996	MM8006	02037	1854-0580	MPQ3725	02037	1858-0034
MJE13005	02037	1854-1134	MMAD1107	02037	1854-0540	MPQ3762	02037	1858-0062
MJE15030	02037	1854-0920	MMAD1108	02037	1906-0375	MPQ3798	02037	1858-0071
MJE15030	02037	1854-1161	MMAD1130	02037	1906-0382	MPQ3798	02037	1858-0092
MJE15031	02037	1853-0652	MMAD130	02037	1906-0378	MPQ3799-2	02037	1858-0111
MJE1661	02037	1854-0768	MMB1321Q5	02037	1854-1020	MPQ3904	02037	1858-0087
MJE170	02037	1853-0436	MMB1011L	02037	1900-0037	MPQ3906	02037	1858-0058
MJE172	02037	1853-0341	MMB352	02037	1900-0039	MPQ6002	02037	1858-0090
MJE180	02037	1854-0659	MMB5051	02037	1901-1343	MPQ6100	02037	1858-0074
MJE182	02037	1854-0585	MMB6050	02037	1901-1142	MPQ6426	02037	1858-0102
MJE200	02037	1854-0739	MMB7000	02037	1901-1142	MPQ6700	02037	1858-0086
MJE2100	02037	1854-0701	MMB7000	02037	1906-0298	MPQ6842	02037	1820-1804
MJE2102	02037	1854-0647	MMB914KT1	02037	1901-1228	MPQ7041	02037	1858-0107
MJE220	02037	1854-0735	MMB4391	02037	1855-0680	MPQ7051	02037	1858-0106
MJE223	02037	1854-0692	MMB4392	03406	1855-0752	MPQ7091	02037	1858-0088
MJE233	02037	1853-0367	MMB4393	02037	1855-0715	MFS 6523	02037	1853-0043
			MMB4416 (SEL)	02037	1855-0695	MFS A12	02037	1854-0560
			MMB4416L	02037	1855-0799	MFS A18	02037	1854-0691
				02037	1855-0480			

Transistor/Diode Cross Reference – JEDEC No. to HP P/N

JEDEC	Mfr.	HP P/N	JEDEC	Mfr.	HP P/N	JEDEC	Mfr.	HP P/N
MPS U-10	02037	1854-0764	MR826	02037	1901-1256	MURS140T3	02037	1901-1335
MPS U-60	02037	1853-0423	MR850	02037	1901-0789	MX-2844	08852	1900-0082
MPS-404A	02037	1853-0217	MR852	02037	1901-0692	MX-2860	08852	1900-0084
MPS-A14	02037	1854-0472	MR854	02037	1901-0719	MX1098	08852	1901-0977
MPS-A14	02037	1854-0977	MR856	02037	1901-1087	MX1735	08852	1900-0048
MPS-A17	02037	1854-0642	MR862R	02037	1901-1122	MX3141	08852	1900-0095
MPS-A18	02037	1854-0583	MR881R	02037	1901-1035	MX3785	08852	1900-0203
MPS-A42	02037	1854-0575	MRF0211	02037	1854-1221	MX3993	08852	1900-0207
MPS-A64	02037	1853-0416	MRF5211	02037	1853-0689	MXR5583	02037	1853-0610
MPS-A70	02037	1853-0395	MRF531(SEL)	02037	1854-1168	MXR5943	02037	1854-1100
MPS-B17	02037	1854-0628	MRF544	02037	1854-1114	MXT2222A	02037	1854-1094
MPS-U01	02037	1854-0634	MRF545	02037	1853-0625	MXT2907A	02037	1853-0609
MPS-U02	02037	1854-0514	MRF5583	02037	1853-0718	MXT3904	02037	1854-1101
MPS-U02	02037	1854-0836	MRF571(SEL)	02037	1854-1042	MXT3906	02037	1853-0613
MPS-U05	02037	1854-0817	MRF5711L	02037	1854-1125	MZ2361	02037	1901-1196
MPS-U07	02037	1854-0877	MRF580A	02037	1854-1143	MZ5556	02037	1902-0916
MPS-U45	02037	1854-0798	MRF581	02037	1854-1022	MZC10A5	02037	1902-1547
MPS-U51	02037	1853-0326	MRF581	02037	1854-1032	MZC12A5	02037	1902-1586
MPS-U52	02037	1853-0476	MRF581(MOD)	02037	1854-1184	MZC5-682	02037	1902-1480
MPS-U55	02037	1853-0353	MRF581A	02037	1854-1225	MZC6-2A5	02037	1902-0990
MPS-U95	02037	1853-0449	MRF586	02037	1854-1175	MZT4554B	02037	1902-1581
MPS2222	02037	1854-1227	MRF587	02037	1854-1047	N2946	02037	1902-1505
MPS2369	02037	1854-0979	MRF5943	02037	1854-1253	ND946	04200	1906-0092
MPS2907A	02037	1853-0525	MRF604	02037	1854-1159	NE-41635	00039	1854-1008
MPS3640	02037	1853-0244	MRF630	02037	1854-0990	NE02133L	00039	1854-1091
MPS3643	02037	1854-0492	MRF639	02037	1854-1228	NE02135	00039	1854-0946
MPS3646	02037	1854-0094	MRF670	02037	1854-1140	NE21935	00039	1854-1009
MPS3646	02037	1854-1141	MRF904	02037	1854-0890	NE21935	00039	1854-1044
MPS3666	02037	1854-1252	MRF911	02037	1854-1178	NE64535	00039	1854-1002
MPS4250A	02037	1853-0587	MRF9411	02037	1854-1226	NE68135	00039	1854-1111
MPS4356	02237	1853-0488	MRF962	02037	1854-1092	NET10-00 20-50MA	00039	1855-0795
MPS5179	02037	1854-0981	MRF965	02037	1854-1107	NET1000	00039	1855-0569
MPS571	02037	1854-1142	MRF965	02037	1854-0849	NET1084-06	00039	1855-0636
MPS6531	02037	1854-0730	MSD 6150	02037	1906-0042	NET1084-08	00039	1855-0770
MPS6534	02037	1853-0536	MSD6101	02037	1901-0358	NET720-00(SELECTED)	00039	1855-0794
MPS6543	02037	1854-1140	MSD6101	02037	1906-0388	NET72084	00039	1855-0769
MPS6543 SELECTED	02037	1854-0296	MSD6150	02037	1901-0538	NET73416D	00039	1854-1066
MPS6562	02037	1853-0318	MSS-30, 254-B20	08852	1900-0075	NE800199	00039	1855-0637
MPS8098	02037	1854-0973	MSS-40, 155-E20	08852	1900-0054	NE85633	00039	1854-1089
MPS834	02037	1854-0866	MSS-40, 455-B40	08852	1900-0211	NE90115	00039	1853-0578
MPSA18RLRAL	02037	1854-1179	MSS40_141-B10 SELECTED	08852	1900-0085	NEL2301-53	00039	1854-1170
MPSA27	02037	1854-1202	MSS50-248-B20	08852	1900-0227	NS3000	02619	1901-0663
MPSA44RLRAL	02037	1854-1167	MTD10N05E	02037	1855-1260	NS65098	03406	1853-0218
MPSA55	02037	1853-0608	MTD10N05E-1	02037	1855-0782	NSIDS292SF52064	03406	1855-0053
MPSA64-5	02037	1853-0716	MTD2955	02037	1855-0801	NSR8142	02537	1906-0227
MPSA65	02037	1853-0412	MTD3055EL	02037	1855-0800	P6KE18A	02037	1901-1327
MPSA76	02037	1853-0572	MTD4P05-1	02037	1855-0778	P6KE7-5CA	02037	1901-1304
MPSA92	02037	1853-0336	MTD4P06-1	02037	1855-0784	PAU5	02883	1901-0842
MPSH10	02037	1854-0795	MTD5M05-1	02037	1855-0776	PD60	05131	1906-0372
MPSH10	02037	1854-0993	MTH13M50	02037	1855-0787	PF5101(SELECTED)	03406	1855-0529
MPSH54	02037	1853-1139	MTH25P06	02037	1855-0804	PI0900C	00046	1858-0095
MPSH81	02037	1853-0662	MTH8060	02037	1855-0767	PK10	05131	1906-0203
MPSH81	02037	1853-0448	MTH10N10 SELECTED	02037	1855-0490	PMLL5231B	03334	1902-1587
MPSM01	02037	1853-0639	MTH10N15	02037	1855-0495	PN3563-5	03406	1854-0092
MPSM06	02037	1854-1064	MTH12M06	02037	1855-0593	PN4250	02237	1853-0664
MPSM06	02037	1854-0997	MTH15M50	02037	1855-0478	PN4250-18	02237	1853-0641
MPSM51	02037	1853-0660	MTH2M50	02037	1855-0814	PN4888-5	03406	1853-0466
MPSM55	02037	1853-0559	MTH2F50	02037	1855-0527	FUL220	08709	1858-0117
MPSM56	02037	1853-0552	MTH3M50	02037	1855-0705	FXT4401	03334	1854-1218
MPT2-15	03287	1901-1208	MTH60M06	02037	1855-0705	FXT4403	03334	1853-0699
MPT2-15C	03287	1901-1209	MTH60M06	02037	1855-0697	QFND-4313	02062	1901-1176
MR1-1400	02037	1901-0885	MTH10N15L	02037	1855-0783	QFND-4414	02062	1901-0947
MR1033A	02037	1901-0411	MTH10N25	02037	1855-0673	QFND-4711	02062	1901-0776
MR1035A	02037	1901-0413	MTH12M06	02037	1855-0542	QFND-4746	02062	1901-0826
MR1120	02037	1901-0405	MTH12W20	02037	1855-0563	QFND-4965	02062	1901-0777
MR1121	02037	1901-0406	MTH12P05	02037	1855-0763	QFND-4966	02062	1901-0777
MR1121R	02037	1901-0592	MTH15N05E	02037	1855-0660	QSCH-3825	02062	1901-1194
MR1122	02037	1901-0497	MTH1M100	02037	1855-0664	QSCH-5362	02062	1900-0235
MR1123	02037	1901-0498	MTH2P06	02037	1855-0818	QSCH-5872	02062	1900-0077
MR1123R	02037	1901-0498	MTH2M90	02037	1855-0497	QSCH-8809	02062	1906-0355
MR1124	02037	1901-0630	MTH3055E	02037	1855-0725	QSCH-8809	02062	1901-0895
MR1124	02037	1901-0499	MTH3055EL	02037	1855-0831	QSCH1187	02062	1901-0996
MR1125	02037	1901-0500	MTH3M60	02037	1855-0608	QSMS-0038	02062	1900-0213
MR1126	02037	1901-0551	MTH4M50	02037	1855-0607	QSRD-4652	02062	1901-0457
MR1128	02037	1901-0552	MTH5M40	02037	1855-0606	QSRD-4653	02062	1901-0189
MR2004S	02037	1901-0825	MUR105	02037	1901-1129	QSRD-4728	02062	1901-0802
MR2004SR	02037	1901-0824	MUR1100E	02037	1901-1318	QXTR-6999	02062	1854-0861
MR2400	02037	1901-0978	MUR1115	02037	1901-0970	QXTR-7037	02062	1854-1189
MR2401	02037	1901-1294	MUR120RL	02037	1901-1306	R3270	02688	1901-0325
MR2406	02037	1901-1121	MUR140	02037	1901-1244	R3710	02688	1901-0729
MR2406F	02037	1901-1137	MUR1510	02037	1901-1189	R711XE	05088	1906-0242
MR501	02037	1901-1081	MUR1560	02037	1901-1302	R712	05088	1906-0231
MR502	02037	1901-0870	MUR160	02037	1901-1214	R712A	05088	1906-0236
MR504	02037	1901-1000	MUR162OCT	02037	1906-0321	R712E	05088	1906-0088
MR508	02037	1901-0889	MUR162OCT	02037	1906-0338	R712X	05088	1906-0271
MR510	02037	1901-0839	MUR164OCT	02037	1906-0373	R754	05088	1906-0067
MR751	02037	1901-0662	MUR302OCT	02037	1906-0329	RC60	05131	1901-0896
MR752	02037	1901-0788	MUR410	02037	1901-1239	RCA9P12A	01921	1855-0512
MR754	02037	1901-0767	MUR4100	02037	1901-1233	RCP-703C	01921	1854-0639
MR754	02037	1901-0781	MUR415	02037	1901-1216	RDF06H	04504	1906-0362
MR756	02037	1901-0787	MUR460	02037	1901-1199	RFLN08L	01921	1855-0595
MR758	02037	1901-1188	MUR860	02037	1901-1130	RFLN08L	01921	1855-0619
MR818	02037	1901-1148	MUR880E	02037	1901-1300	RFP10N12	01921	1855-0672
MR820	02037	1901-1086	MURC115	02037	1901-1169	RFP10N12	01921	1855-0565
MR822RL	02037	1901-0685	MURD61OCT	02037	1906-0352	RFP10N15	01921	1855-0676

Transistor/Diode Cross Reference – JEDEC No. to HP P/N

JEDEC	Mfr.	HP P/N	JEDEC	Mfr.	HP P/N	JEDEC	Mfr.	HP P/N
HFP10P15	01921	1855-0674	SSM-22105	02180	1854-1251	UES2605	00046	1906-0277
RFP12M08	01921	1855-0677	SST177	02883	1855-0733	UES601R	00046	1901-0953
RFP15M05L	01921	1855-0629	SST215	02883	1855-0825	UES803	00046	1901-1127
RFP2N08L	01921	1855-0678	SST5461	02883	1855-0785	UES803R	00046	1901-0961
RFP2N08L-6261	03799	1855-0821	SST5912	02883	1855-0823	UES804	00046	1901-0904
RFP2N12L	01921	1855-0665	SSTPAD200	02883	1901-1266	UF4004	02713	1901-1149
RFP6M06L	01921	1855-0708	ST3011	06632	1854-0690	UF4007	04504	1901-1313
RFP5P12	01921	1855-0623	STB523-A	01973	1901-0460	UF5406	04504	1901-1274
RFP6P08	01921	1855-0621	STB567	00046	1901-0701	ULM-2003A	04200	1858-0047
RFP8P08	01921	1855-0617	SX43	02664	1902-1385	ULM-2003A(SEL)	04200	1858-0099
RGL41D	04504	1901-1281	SZ0035-3RL	02037	1902-0945	ULM-2004A	04200	1858-0061
RGP-10M	02713	1901-0847	SZ1213-48	02037	1902-0517	ULM-2023A	04200	1858-0097
RGP15-15	02713	1901-1237	SZ2628RL	02037	1902-1593	ULM-2033A	04200	1858-0067
RGP15M	02713	1901-0997	SZ30016-0176	02037	1902-0173	ULM-2062M	04200	1858-0124
RHC10-12	05131	1901-1309	SZ30035-18RL	02037	1902-0960	ULM-2803A	04200	1858-0069
RKBPC35-04	05131	1906-0383	SZG30590	02037	1902-0584	ULM-2804A	04200	1858-0082
RPL000B	05131	1901-0763	TID778	00046	1901-0979	ULM-2805A	04200	1858-0073
RPR4-D-10	04504	1901-1311	TIP-33	01698	1854-0594	ULM-2813A	04200	1858-0072
RUR810	01921	1901-0987	TIP140	01698	1854-0663	ULM-2815A-2	04200	1858-0065
RUR810	01921	1901-1113	TG-10	05088	1901-0995	ULN2003D	02910	1858-0104
RUR810	01921	1901-1314	TID130	01698	1906-0202	ULN2003L	04200	1858-0147
RW04M	04504	1906-0076	TIP 115	01698	1853-0377	ULN2082A	04200	1858-0037
S10925	02526	1901-1154	TIP 141	01698	1854-0763	ULQ-2823A	04200	1858-0121
S17843	02237	1854-0022	TIP-122	02037	1854-0828	ULQ2804A	04200	1858-0108
S2F	02664	1901-0646	TIP-126	01698	1853-0424	UPAL02G	00039	1858-0126
S32248	02237	1853-0058	TIP-127	01698	1853-0468	UPAL03G	00039	1858-0125
S3710	02688	1901-0730	TIP-34	01698	1853-0350	UPAL04G	00039	1858-0125
S4F	02664	1901-0669	TIP-35A	01698	1854-0593	USD 745C	00046	1906-0265
SA100CA	03287	1902-1522	TIP-41	01698	1854-0840	USD4545C	00046	1906-0386
SA11A	03287	1902-1534	TIP100	01698	1854-0970	USD840	00046	1901-1218
SA12	03287	1901-1338	TIP102	02037	1853-0463	USD945	00046	1901-1156
SA13A	01979	1850-0156	TIP105	01698	1853-0454	V334X	05088	1901-0848
SA13C	03287	1901-1288	TIP107	02037	1853-0490	V336X	05088	1901-0882
SA15A	03287	1901-1328	TIP110	01698	1854-0670	VB10X	05088	1901-1105
SA5, 0A	03287	1901-1337	TIP112	02037	1854-1023	VCR2N	02883	1855-0265
SA617	01921	1855-0647	TIP122	02037	1854-1128	VCR3P	02883	1855-0205
SAB 10	02713	1901-1165	TIP140	01698	1854-0700	VE48	05088	1906-0006
SB160	02713	1906-0300	TIP140	02037	1854-0880	VG-2X	05088	1901-0845
SB1660	02713	1901-1163	TIP142	02037	1854-0985	VH-448X	12928	1906-0077
SB560	02664	1901-0526	TIP145	02037	1853-0498	VH48	05088	1906-0052
SCAJ1	02664	1906-0055	TIP147	02037	1853-0694	VH48L04	05088	1901-1157
SCAJ4	02664	1906-0072	TIP31F	01698	1854-1169	VHE2402A	05088	1906-0270
SCBA2F	02664	1906-0040	TIP32C	03406	1853-0537	VHE2404	05088	1906-0301
SCDA2	02664	1906-0071	TIP32F	01698	1853-0654	VHS50	12928	1901-1215
SCPA05F	02664	1906-0039	TIP35C	02037	1854-1233	VJ148X	05088	1906-0079
SCPA2	01691	1906-0239	TIP36A	01698	1853-0453	VJ148X	12928	1906-0078
SD-241	01691	1901-1100	TIP36C	02037	1853-0709	VJ848	05088	1906-0309
SD-41	04486	1901-0999	TIP41A	01698	1854-0456	VJ848TT	05088	1906-0085
SD103C	02883	1855-0647	TIP41C (SELECTED)	02037	1854-0799	VK248	05088	1906-0205
SD210DE	09283	1855-0215	TIP42A	02037	1854-0967	VK248	05088	1906-0085
SD211DE (SELECTED)	09283	1855-0440	TIP42A	01698	1853-0356	VM28X	05088	1906-0216
SD213	09283	1855-0269	TIP42C	01698	1853-0234	VMP-1	05088	1906-0216
SD214	02910	1855-0273	TIP47	02037	1853-0431	VN014N3	02883	1855-0263
SD214DE	02883	1855-0269	TIP50	02037	1854-0838	VN01066	07221	1855-0546
SD215	02910	1855-0241	TIP51	02037	1854-1069	VN0300L	07221	1855-0525
SD2608 (SELECTED)	02037	1854-0357	TIP642	01698	1854-0806	VN0300M	02883	1855-0555
SD306 (SEL)	09283	1855-0557	TIP647	01698	1854-0982	VN0300M	02883	1855-0582
SD41	02688	1901-0792	TIP75B	01698	1853-0543	VN0610L	02883	1855-0684
SD4753 (SELECTFD)	02037	1853-0083	TIP753A	01698	1854-0803	VN0808M	02883	1855-0751
SE5055	02237	1854-0388	TIP115	01698	1854-0960	VN10KE	02883	1855-0545
SE55603CR	00046	1906-0259	TIR101B	01698	1853-0668	VN10KM	02883	1855-0423
SFE793	02037	1855-0020	TIR201B	01698	1906-0213	VN10LE	02883	1855-0560
SFR0	02664	1901-0998	TIS-149	01698	1906-0214	VN1204N2	07221	1855-0760
SG3821M	03793	1858-0022	TMPD4150	01698	1853-0464	VN2222L	02883	1855-0556
SGS126	06338	1853-0642	TN4030	04200	1901-1252	VN2222LL	02883	1855-0598
SGS1F444	06338	1854-1158	TND907	03406	1853-0551	VN66AD	02883	1855-0724
SGS501PC	02237	1821-0006	TND908	04200	1906-0361	VN66AFD	02883	1855-0275
SJ7076	02037	1854-0968	TP0610T	02883	1906-0275	VP0300L (SEL)	02883	1855-0550
SL2364C	01590	1858-0101	TPQ5551	04200	1858-0128	VP0300M	02883	1855-0686
SL3600	01590	1854-1196	TPQ6002	04200	1858-0083	VP0300M	02883	1855-0526
SMB06_5C	03287	1901-1312	TPQA56	04200	1858-0722	VP1204N2	02883	1855-0722
SMB1J3CA	03287	1901-1275	U1897E	03406	1855-0436	VQ1000J	07221	1855-0649
SMB1J5C	03287	1901-1341	U310	02883	1855-0530	VQ1001J	02883	1855-0591
SMB1J2A	03287	1901-1276	U310 (SELECTED)	02037	1855-0235	VQ1006P	02883	1855-0585
SMB45_0A	03287	1901-1322	U401	02883	1855-0519	VQ2001P	02883	1855-0620
SMCJ12_0	03287	1901-1339	U431	02883	1855-0788	VQ3001J	02883	1855-0650
SMCJ15C	03287	1901-1334	U440	02883	1855-0573	VSK12	02883	1858-0130
SMCJ45CA	03287	1901-1265	U443	02883	1855-0639	VSK231	05088	1906-0263
SMCJ5_0	03287	1901-1346	UDN2580A	04200	1858-0085	VSK30NOT	05088	1906-0278
SMFR30K	02664	1901-0878	UES 2402	00046	1906-0262	VSK530	05088	1906-0238
SMTD-636	01352	1912-0018	UES-1106	09914	1901-1106	VSK540	05088	1901-1220
SN74LS105D	01698	1906-0384	UES1105	09914	1901-1110	VSK71	05088	1901-0976
SN74LS1053D	01698	1906-0385	UES1303	09914	1901-1111	VX30	05088	1901-0960
SFF819-2	02037	1855-0747	UES1305	09914	1901-1108	W02M	00046	1901-0984
SFF938	02037	1855-0687	UES1306	09914	1901-1109	X44VHS70	02713	1906-0256
SFQ1678	02037	1858-0052	UES2602R	00046	1906-0254	X45H281	03799	1854-0873
SFQ526K	02037	1858-0008	UES2603	00046	1906-0304		04550	1853-0363
SPS 233	02037	1854-0246						
SPS 3627	02037	1854-0270						