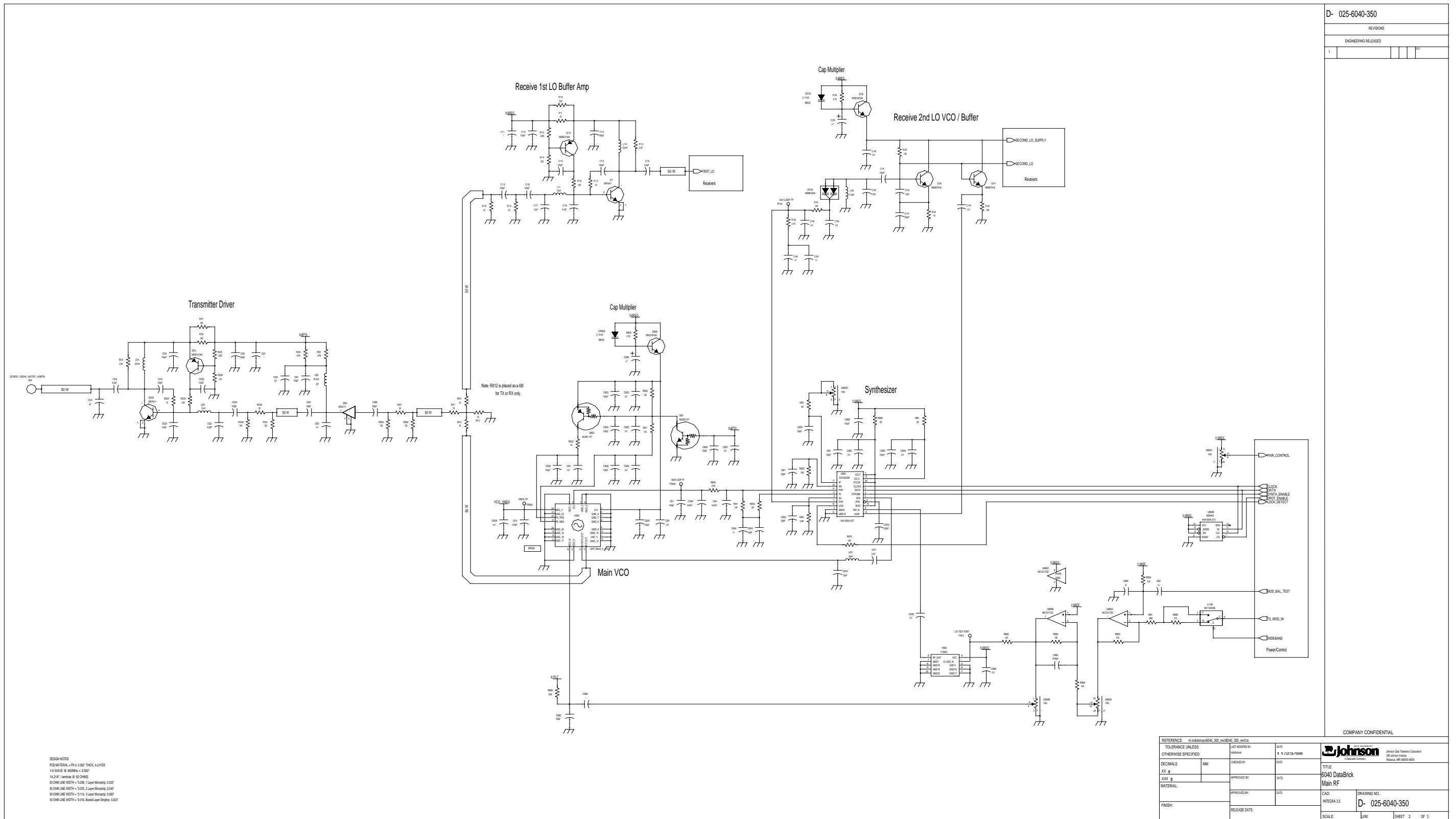


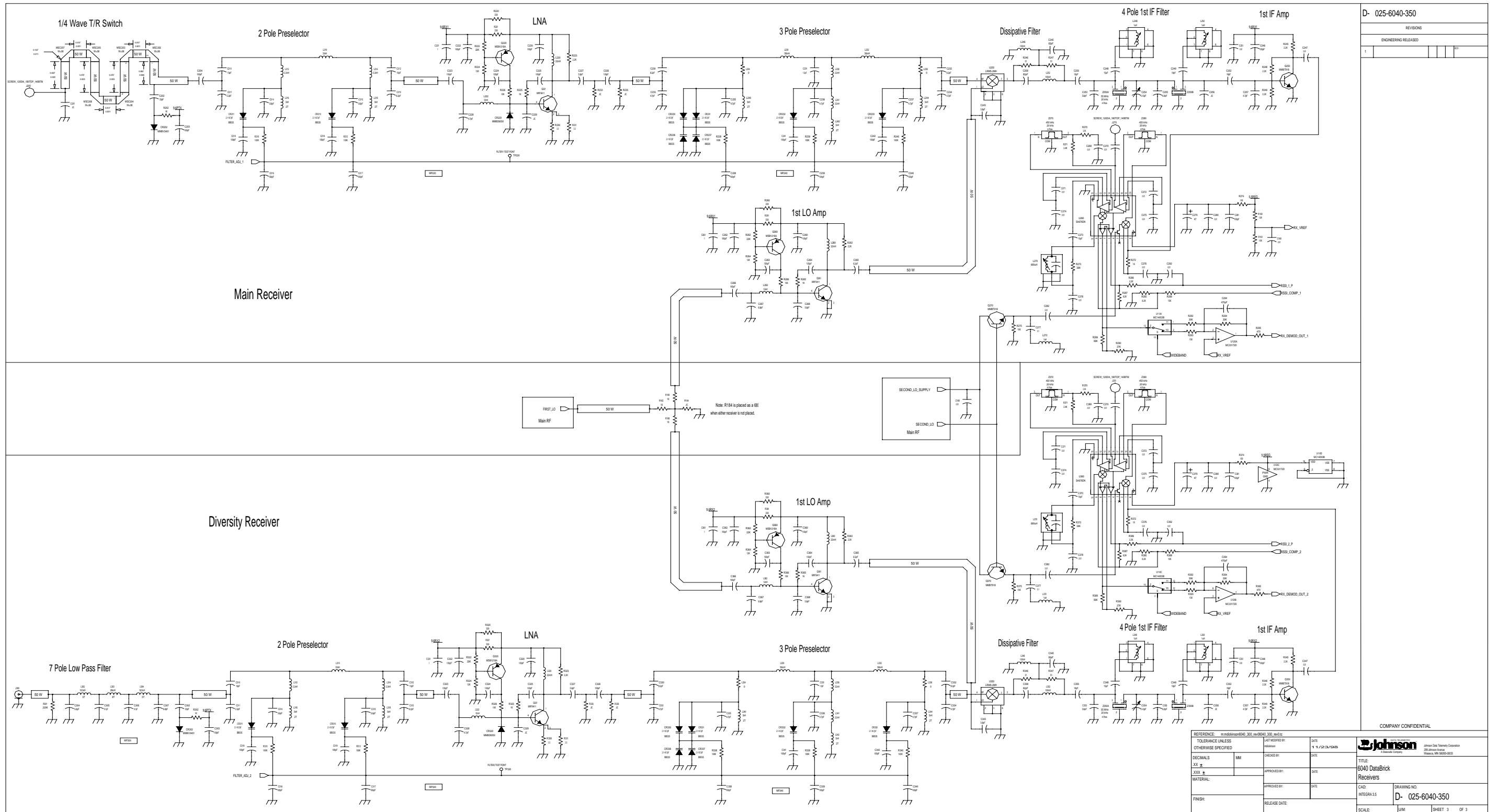
**EOTGPDA FCC report-Appendix Schematics  
Gemini/PD schematics**

Contents

MDP Transceiver.....pag 2-4  
Gemini Modem/loader .....pag 5-8

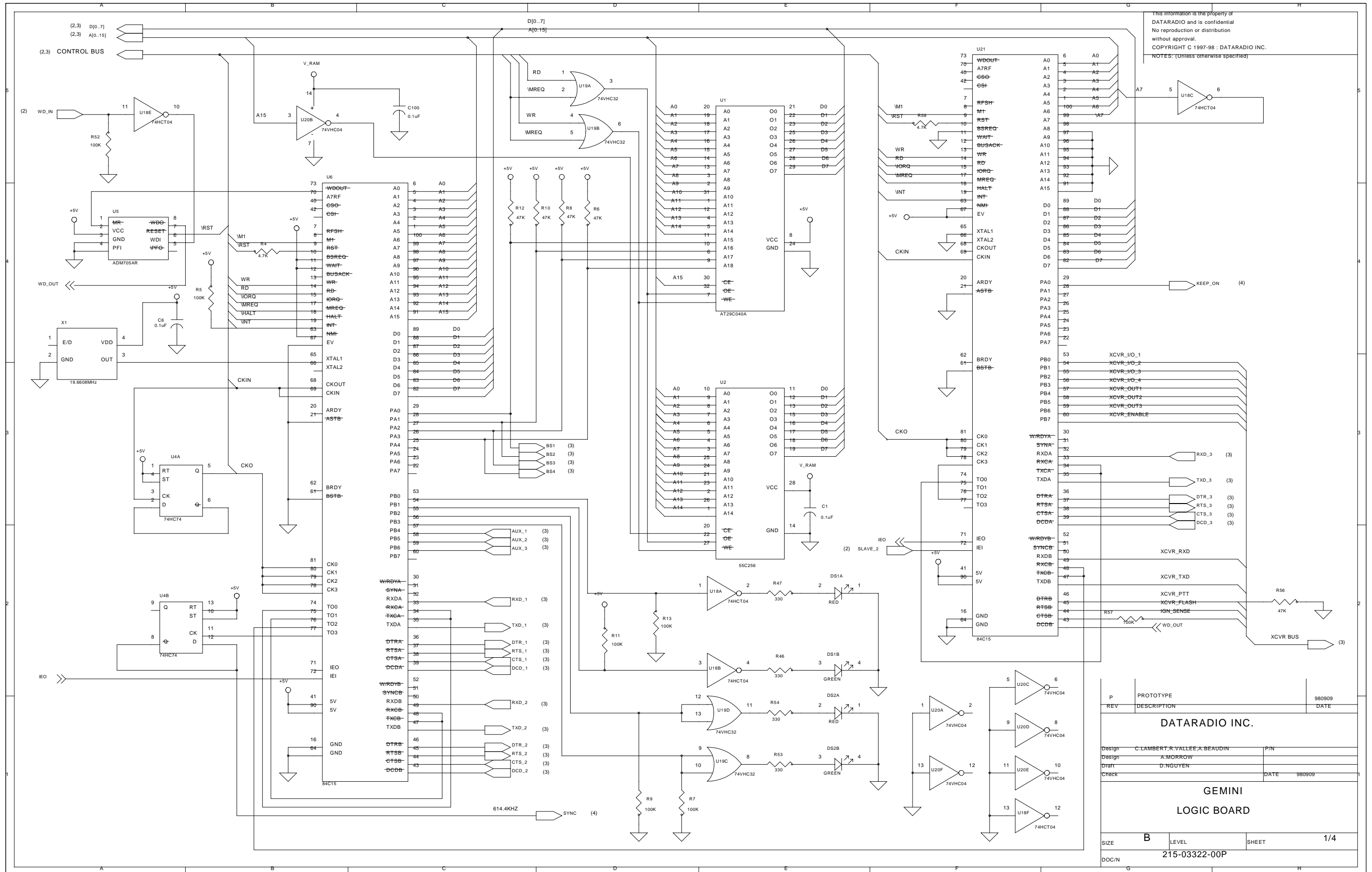






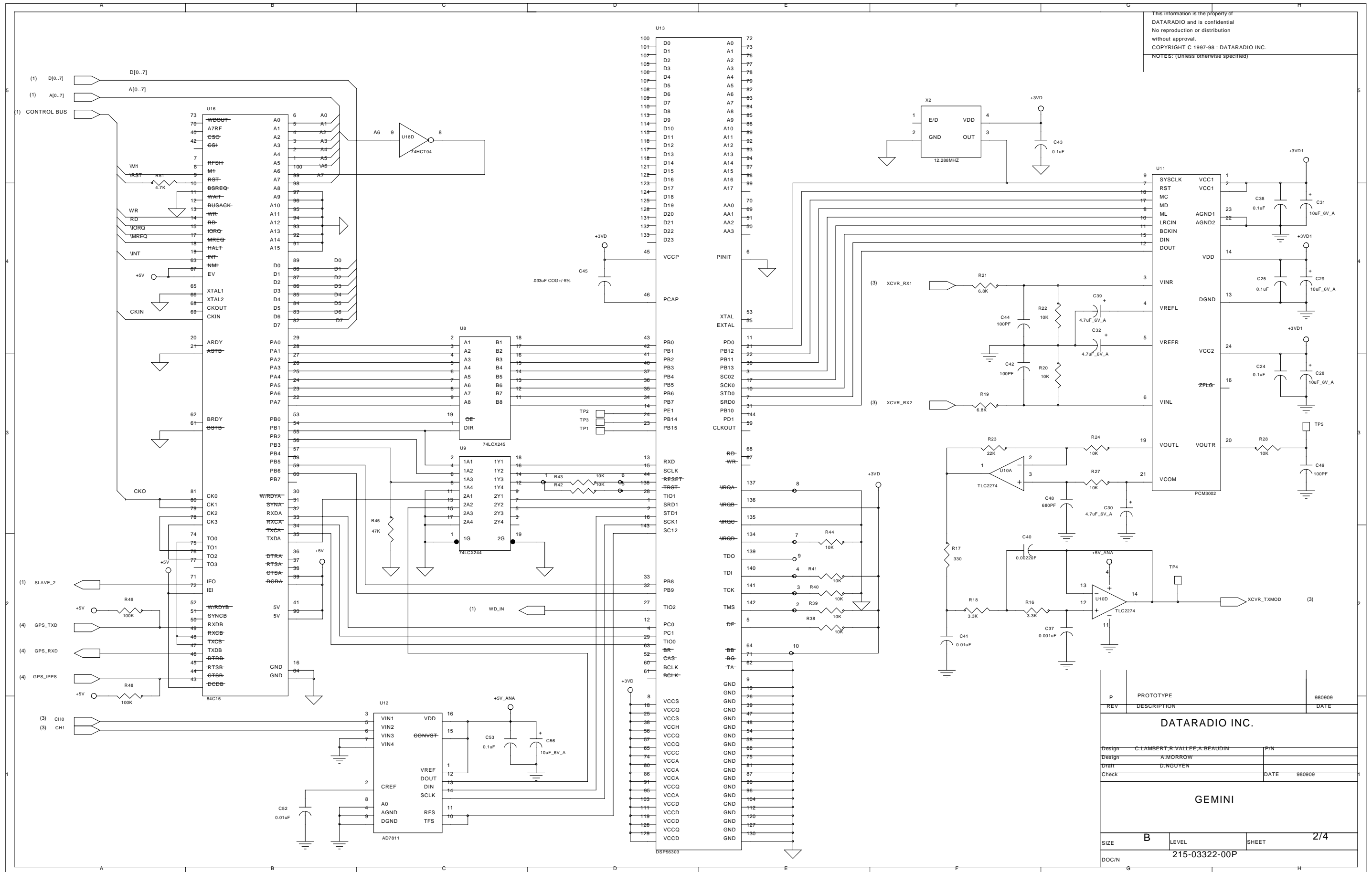
COMPANY CONFIDENTIAL

REFERENCE: m65kmm040_300_m0000_300_mv01	DATE: 11/23/2018	Johnson Data Technology Corporation 200 Johnson Drive Hudson, NH 03051-0003
TOLERANCE UNLESS OTHERWISE SPECIFIED	DESIGNED BY: [Name]	
DECIMALS: XX ±	CHECKED BY: [Name]	TITLE: 6040 DataBrick Receivers
MATERIAL: XXX ±	APPROVED BY: [Name]	CAD: INTEGR8 3.5
FINISH:	RELEASE DATE:	DRAWING NO: D- 025-6040-350
		SCALE: [Scale] SHEET 3 OF 3



This information is the property of DATARADIO and is confidential. No reproduction or distribution without approval. COPYRIGHT C 1997-98 : DATARADIO INC. NOTES: (Unless otherwise specified)

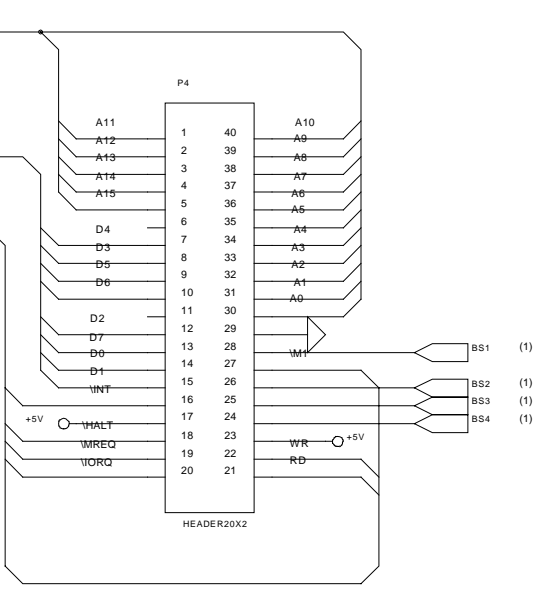
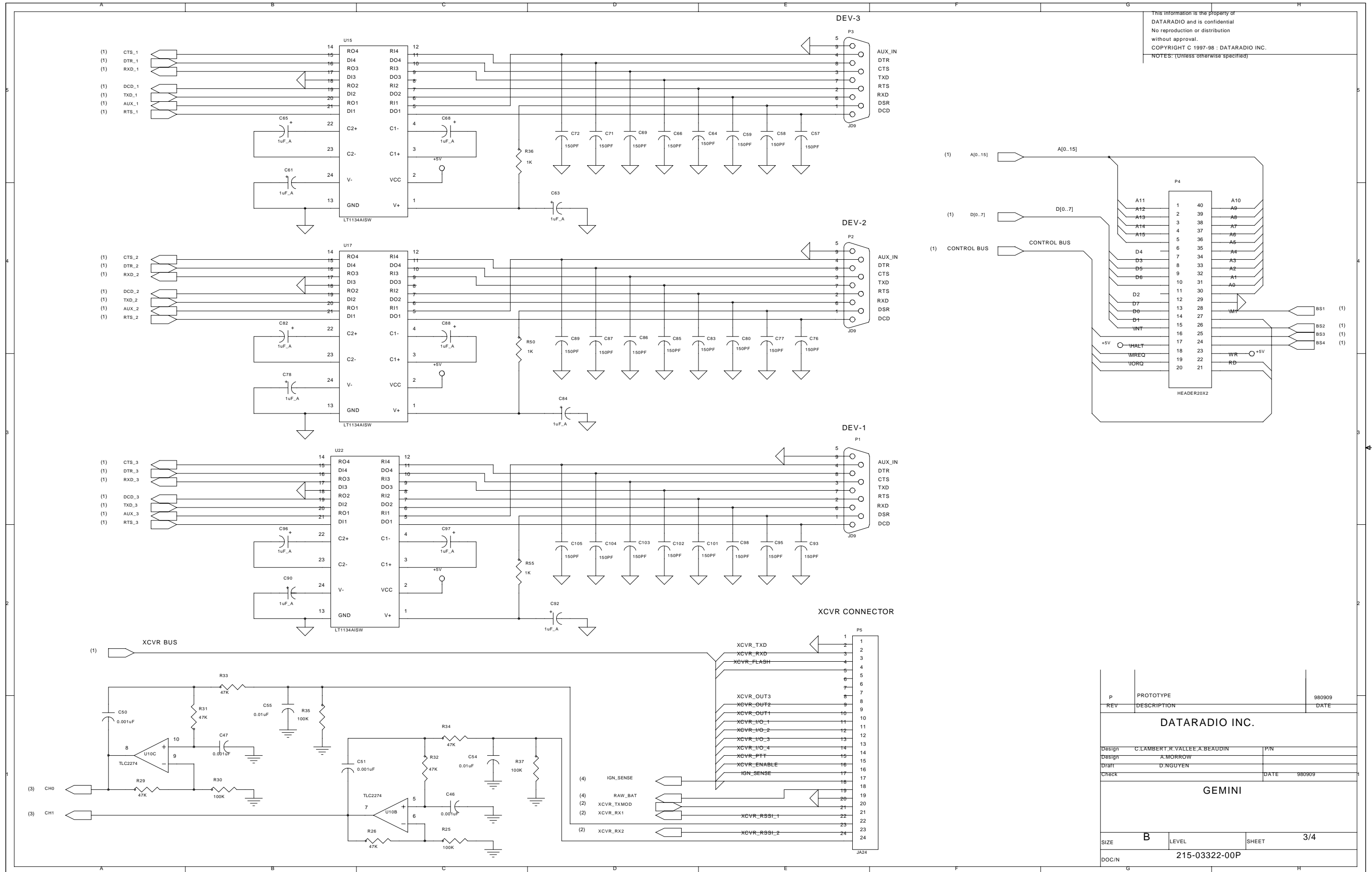
P	PROTOTYPE	980909
REV	DESCRIPTION	DATE
<b>DATARADIO INC.</b>		
Design	C. LAMBERT, R. VALLEE, A. BEAUDIN	P/N
Design	A. MORROW	
Draft	D. NGUYEN	DATE
Check		980909
<b>GEMINI LOGIC BOARD</b>		
SIZE	B	SHEET 1/4
DOC/N	215-03322-00P	



This information is the property of DATARADIO and is confidential. No reproduction or distribution without approval. COPYRIGHT C 1997-98 : DATARADIO INC. NOTES: (Unless otherwise specified)

P	PROTOTYPE	980909
REV	DESCRIPTION	DATE
<b>DATARADIO INC.</b>		
Design	C. LAMBERT, R. VALLEE, A. BEAUDIN	P/N
Design	A. MORROW	
Draft	D. NGUYEN	
Check		DATE 980909
<b>GEMINI</b>		
SIZE	B	SHEET 274
DOC/N	215-03322-00P	

This information is the property of DATARADIO and is confidential. No reproduction or distribution without approval. COPYRIGHT C 1997-98 : DATARADIO INC. NOTES: (Unless otherwise specified)



P	PROTOTYPE	980909
REV	DESCRIPTION	DATE
<b>DATARADIO INC.</b>		
Design	C.LAMBERT,R.VALLEE,A.BEAUDIN	P/N
Design	A.MORROW	
Draft	D.NGUYEN	
Check		DATE 980909
<b>GEMINI</b>		
SIZE	<b>B</b>	SHEET 3/4
DOC/N	215-03322-00P	

