

APPLICATION NOTE

**Wideband 300 W push-pull FM
amplifier using BLV25
transistors**

AN98031

Wideband 300 W push-pull FM amplifier using BLV25 transistors

Application Note
AN98031

CONTENTS

1	INTRODUCTION
2	AMPLIFIER DESIGN THEORY
2.1	The output network
2.2	The input network
2.3	Bias components
3	PRACTICAL 300 W PUSH-PULL AMPLIFIER WITH 2 × BLV25
3.1	General remarks
3.2	Alignment
3.3	Performance
4	BLW86 DRIVER AMPLIFIER
4.1	Amplifier Design
4.2	Alignment
4.3	Performance
5	COMBINATION OF DRIVER AND FINAL AMPLIFIER
6	STABILITY AND EFFICIENCY IMPROVEMENT
7	CONCLUSION
8	REFERENCE

Wideband 300 W push-pull FM amplifier using BLV25 transistors

Application Note
AN98031

SUMMARY

For transmitters and transposers for the FM broadcast band (87.5 – 108 MHz), a 300 W push-pull amplifier using two BLV25 transistors has been designed and built. The transistors operate in class-B from a 28 V supply. In addition, a suitable single-stage driver amplifier using a BLW86 transistor also operating in class-B from a 28 V supply has been designed and built.

Table 1 shows the main properties of each amplifier and of the driver/final-amplifier combination. The driver and final amplifier have been aligned at output powers of 45 W and 300 W respectively.

The 2× BLV25 amplifier has a heatsink with forced air cooling and a 10 mm copper plate heat-spreader.

Table 1 Amplifier performance overview; note 1

FM BAND 87.5 – 108 MHz	BLW86 DRIVER P _{OUT} = 45 W		2 × BLV25 FINAL AMPLIFIER P _{OUT} = 300 W		COMBINATION AMPLIFIER BLW86 AND 2 × BLV25 P _{OUT} = 300 W	
	MIN.	MAX.	MIN.	MAX.	MIN.	MAX.
Gain (dB)	12	13	10.4	11	22.6	25
Input VSWR	1.2	1.3	1.45	1.70	1.1	1.85
Efficiency (%)	69	72	70	71	63	66

Note

1. Circuit board: double copper-clad epoxy fibre glass ($\epsilon_r = 4.5$), thickness $\frac{1}{16}$ -inch.

1 INTRODUCTION

The BLV25 power transistor is intended for use in FM broadcast transmitters and transposers. This transistor which is in a 6-lead flanged package with $\frac{1}{2}$ -inch ceramic cap (SOT119) can deliver 175 W output power at 108 MHz. This report describes the design and practical implementation of a 300 W wideband push-pull amplifier for the FM broadcast band using two BLV25 transistors operating in class-B from a 28 V supply voltage. In addition, a suitable driver amplifier is described. The driver is a single-stage amplifier designed for an output power of 45 W using a BLW86 transistor which also operates in class-B from a 28 V supply. The BLW86 is in a $\frac{3}{8}$ -inch, 4-lead flanged package with a ceramic cap (SOT123).

2 AMPLIFIER DESIGN THEORY

First, consider the BLV25 transistor. Table 2 gives some of its characteristics at an output power of 160 W and a supply voltage of 28 V.

The output of a BLV25 can be accurately represented by the equivalent circuit of Fig.1. In Section 3.2, it will be explained how the information in Table 2 and Fig.1 are used to align the amplifier.

Figure 2 shows a schematic of the amplifier; Fig.3 shows the complete circuit.

Wideband 300 W push-pull FM amplifier using BLV25 transistors

Application Note
AN98031

Table 2 Some characteristics of the BLV25 at several frequencies in the FM broadcast band

Freq. f (MHz)	POWER GAIN G (dB)	INPUT IMPEDANCE Z_i (Ω)	OPTIMUM LOAD IMPEDANCE Z_L (Ω)
87.5	11.8	$0.54 + j0.38$	$1.96 - j0.04$
92.2	11.5	$0.56 + j0.43$	$1.94 - j0.06$
97.2	11.1	$0.58 + j0.48$	$1.91 - j0.07$
102.5	10.8	$0.60 + j0.53$	$1.88 - j0.08$
108.0	10.4	$0.63 + j0.59$	$1.84 - j0.11$

2.1 The output network

The output network consists of three parts:

1. The combination of L_9 , L_{10} and C_8 which transforms the output impedance of the transistors to a resistance of 12.5Ω (balanced).
2. The transmission lines L_{11} and L_{12} which are connected such that they perform a 1:4 impedance transformation, making the output impedance of this part 50Ω (balanced).
3. The transmission lines L_{13} and L_{14} which function as a balanced-to-unbalanced transformer (balun), so their output impedance is 50Ω (unbalanced).

Note on 1:

The matching section L_9 , L_{10} and C_8 is rather conventional except that the inductors have been replaced by striplines.

Note on 2:

Lines L_{11} and L_{12} are transmission lines with a characteristic resistance of 25Ω . They are soldered to a copper track on the p.c. board. This track is 2.8 mm wide, so its characteristic impedance with reference to the ground plane of the p.c. board is 50Ω .

Theoretically, their lengths should be $\frac{1}{4}$ wavelength for the centre of the frequency band, namely 42 cm. As this is rather impractical, we must find a way to use shorter lines. Two possibilities exist:

Lines L_{11} and L_{12} are not soldered to tracks on the p.c. board but are surrounded by ferrite tubes of suitable dimensions and material. Finding the correct combination is however somewhat involved.

The lengths of lines L_{11} and L_{12} are reduced significantly and the parallel inductance introduced is compensated by increasing the value of C_8 . As this method provides good results, it has been adopted.

Note on 3:

The line L_{14} is a transmission line with a characteristic resistance of 50Ω . It is also soldered to a 2.8 mm wide track on the p.c. board. For the length of this line, the story is similar to that of the 1:4 impedance transformer. By making the line shorter than a $\frac{1}{4}$ wavelength, an inductance is introduced from point B (Fig.2) to ground. To restore the symmetry, an equal inductance must be introduced between point A and ground. This is done by means of line L_{13} which is a 2.8 mm wide track on the p.c. board of the same length as L_{14} . Finally, the parallel inductances (from point A to ground, and from point B to ground) are compensated by the series capacitors C_9 and C_{10} .

After initial calculation of the separate sections and their compensation, the network was optimized using a computer optimization program. The final dimensions of the components can be found in Fig.3.

The maximum VSWR of this network is <1.05 .

A remark must be made about the reactive loading of C_8 which is nearly 900 VA at 108 MHz, so a high-quality capacitor must be used. Two or three capacitors in parallel can also be considered.

Wideband 300 W push-pull FM amplifier using BLV25 transistors

Application Note
AN98031

2.2 The input network

This network is very similar to the output network and, like it, consists of three parts:

1. The combination of L_1 and L_2 forms an unbalanced-to-balanced transformer whose output impedance is 50Ω (balanced)
2. The combination L_3 and L_4 forms a 4:1 impedance transformer whose output impedance is 12.5Ω (balanced)
3. The components L_5 to L_8 and C_3 to C_7 form a two-section matching network to match the input impedances of the transistors to 12.5Ω (balanced).

All the remarks made for the output network also apply to the input network, though several values are different.

The calculation of the input network was made in the same way as that for the output network. However, the total length of the lines L_1 to L_4 became too long for practical use. After dividing the lengths of these lines by 1.6, the other components were re-optimized, raising the input VSWR from 1.20 to 1.27. All component values are given in Table 5.

A consequence of this way of designing is that the power gain at 87.5 MHz is approximately 1.4 dB higher than that at 108 MHz. This variation must be compensated in one of the driver stages.

An alternative design with a nearly flat power gain of about 10 dB can be made, however, the input matching is only good at the high end of the frequency band; at 87.5 MHz, the input VSWR rises to about 3.2. Further details of this alternative are not given here.

2.3 Bias components

Theoretically, point V_B can be grounded directly. However, it may be better to ground it via an RF choke shunted by a 12Ω resistor as shown in Fig.4 because of:

- Small asymmetries in the transistors and circuit, and
- Possible parasitic oscillation when the transistors operate in parallel rather than push-pull.

Resistors R_1 and R_2 have been added to improve stability during mismatch. For point V_C , the same holds as for point V_B , except that the supply voltage must be connected to the former. In the simplest configuration, point V_C is decoupled for RF frequencies. A better proposition is probably the circuit shown in Fig.5.

3 PRACTICAL 300 W PUSH-PULL AMPLIFIER WITH $2 \times$ BLV25

3.1 General remarks

Having established a theoretical design, let us now look at a practical implementation.

The amplifier has been designed on a double copper-clad epoxy fibre glass ($\epsilon_r = 4.5$) board, thickness $\frac{1}{16}$ -inch. Figure 6 shows the print board and Fig.7 the layout of the amplifier. Rivets and, at the board edges, soldered copper straps have been used to provide good contact between both sides of the board. Where the emitters are grounded, contact is made with the lower side of the board.

The print board and transistors are attached to a 10 mm thick copper plate which acts as a heat-spreader. This plate is screwed to a standard heatsink with forced air cooling. At an ambient temperature of 25°C , and with the amplifier operating at 300 W output power, the heatsink temperature is below 55°C .

3.2 Alignment

The first alignment was done with small signals, starting with the output circuit. The BLV25 transistors were replaced by dummy loads, representing the complex conjugate of the optimum load impedance. The dummy consists of a 2.22Ω resistance and a 300 pF capacitance.

To reduce parasitic inductance and to maintain the best possible symmetry, we used several components in parallel. These components were soldered to an empty SOT119 header.

Wideband 300 W push-pull FM amplifier using BLV25 transistors

Application Note AN98031

The reflection versus frequency was measured at the output terminal and minimized by adjusting the capacitors C_{16} , C_{14} , C_{15} and C_9 . Figure 8 shows the schematic diagram and Fig.9 the return losses; the VSWR remains below 1.13.

The alignment of the input network was done with the transistors in circuit and with the supply voltage and load connected. First, alignment was made with the transistors in class-A ($I_C = 1.7$ A and $V_{CE} = 25$ V). The reflection versus frequency was then minimized at small-signal levels. Then the operation was altered to class-B, and the amplifier realigned at an output power of 300 W. The required circuit modifications were rather small. Figure 10 shows the final circuit. Resistances R_2 and R_3 are necessary to prevent parallel oscillations. The inductance of these resistors is very important (see Table 6).

In spite of the dummy adjustment of the output circuit, the capacitance of C_9 had to be reduced to improve the collector efficiency, η , of the amplifier. In addition, three capacitors in parallel have been used because of the very high reactive loading at that point.

3.3 Performance

The amplifier has been aligned at an output power of 300 W. Figures 11 to 13 show the gain, input VSWR and collector efficiency as functions of frequency at 300 W output power. Figure 14 shows the variation of efficiency with output power, both measured at 108 MHz.

4 BLW86 DRIVER AMPLIFIER

4.1 Amplifier Design

The required drive power for the 2× BLV25 amplifier described in Section 3 is about 30 W. The input VSWR of this final amplifier varies between 1.45 and 1.7 (see Fig.12), so the load impedance of the driver amplifier differs from 50 Ω and varies with frequency. As the effect of this on the performance of the driver cannot be predicted, some reserve output power was built in and a 45 W driver was designed. The driver is a single-stage class-B amplifier using a BLW86 transistor.

Table 3 shows some properties of the BLW86 from 87.5 to 108 MHz, valid for class-B operation and an output power of 45 W.

Table 3 Some characteristics of the BLW86 at several frequencies in the FM broadcast band

Freq. (MHz)	GAIN (dB)	INPUT IMPEDANCE (Ω)	LOAD IMPEDANCE (Ω)
87.5	13.61	0.76 – j0.00	7.65 + j3.28
89.8	13.40	0.76 + j0.04	7.56 + j3.32
92.2	13.18	0.76 + j0.08	7.48 + j3.36
94.7	12.96	0.76 + j0.12	7.39 + j3.40
97.2	12.75	0.75 + j0.16	7.32 + j3.47
99.8	12.53	0.75 + j0.20	7.23 + j3.51
102.5	12.31	0.75 + j0.24	7.13 + j3.54
105.2	12.10	0.75 + j0.28	7.05 + j3.60
108	11.89	0.75 + j0.32	6.95 + j3.63

The input impedance has to be matched to the 50 Ω source impedance to obtain a good input VSWR and the 50 Ω load impedance has to be transformed into the optimum load impedance, which is given in Table 2. This has been done using Chebyshev low-pass LC filter techniques (see Chapter "Reference").

Wideband 300 W push-pull FM amplifier using BLV25 transistors

Application Note
AN98031

The driver amplifier was designed on double-clad epoxy glass fibre board ($\epsilon_r = 4.5$), $\frac{1}{16}$ -inch thick. Figure 16 shows the board and layout of the amplifier. Rivets and straps were again used and the emitter connected to the underside of the board.

4.2 Alignment

The alignment procedure was as described in Section 3.2. The optimal load impedance given in Table 2 suggested a dummy load of 10Ω resistance in parallel with a 91 pF capacitance. Alignment with this dummy load resulted in a collector efficiency of about 60%. Later, it was found that lowering the dummy capacitance to 56 pF raised the efficiency to about 70%. Figure 17 shows the alignment circuit and Fig.18 the VSWR at the output terminal measured with the $10 \Omega // 56 \text{ pF}$ dummy load.

The input circuit has been aligned with the transistor in the circuit and the supply voltage connected. Again, alignment was started with the transistor operating in class-A ($I_C = 1 \text{ A}$ and $V_{CE} = 25 \text{ V}$). The small-signal input VSWR has been minimized.

Then, the transistor was set to class-B operation, and the amplifier realigned at an output power of 45 W. Figure 19 shows the final circuit and Table 7 shows the part list. The collector DC biasing coil, L_8 , plays an active role in the impedance transformation.

4.3 Performance

Figs 20 and 21 show the gain and input VSWR as functions of frequency. The gain is $12.5 \pm 0.5 \text{ dB}$ and the VSWR remains below 1.3:1 throughout the band.

Figure 21 shows that the collector efficiency is better than 69%. The measurements were taken at 45 W output power.

Figures 23 and 24 show collector efficiency and amplifier gain versus output power at 108 MHz. Note, the amplifier was only aligned at 45 W output power.

5 COMBINATION OF DRIVER AND FINAL AMPLIFIER

Figs 25 and 26 show the gain and input VSWR of the combination of driver and final amplifier at 300 W output power. This gives an indication of the effect of the fluctuating input VSWR of the final amplifier on the performance of the driver amplifier. The efficiency of the combination is more than 63%, as Fig.27 shows.

No additional alignment was made. The required input drive power for 300 W output is less than 1.7 W.

6 STABILITY AND EFFICIENCY IMPROVEMENT

It is recommended to add an inductance L_{CC} between the collectors of the two BLV25 transistors, see Fig.28 (c.f. Fig.10) to improve stability at low output powers. An additional advantage of this modification is that it raises collector efficiency while hardly affecting the input VSWR (which remains below 1.75). Figures 29 to 31 show the results measured on a water-cooled amplifier for three conditions: without L_{CC} , with $L_{CC} = 41 \text{ nH}$, and with $L_{CC} = 29 \text{ nH}$.

7 CONCLUSION

A 300 W push-pull amplifier using two BLV25 transistors driven by a single-stage amplifier using a BLW86 have been designed. Table 4 shows the main performance parameters of the individual amplifiers and of their combination.

Wideband 300 W push-pull FM amplifier
using BLV25 transistors

Application Note
AN98031

Table 4 Performance overview (basic amplifier without the modification for higher efficiency)

FM BAND 87.5 – 108 MHz	BLW86 DRIVER P _{OUT} = 45 W		2 × BLV25 FINAL AMPLIFIER P _{OUT} = 300 W		COMBINATION AMPLIFIER BLW86 AND 2 × BLV25 P _{OUT} = 300 W	
	MIN.	MAX.	MIN.	MAX.	MIN.	MAX.
Gain (dB)	12	13	10.4	11	22.6	25
Input VSWR	1.2	1.3	1.45	1.70	1.1	1.85
Efficiency (%)	69	72	70	71	63	66

8 REFERENCE

G.L. Matthaei, Tables of Chebychev impedance transforming networks of low-pass filter form. Proc. of the IEEE, Aug. 1964, pp. 939-963.

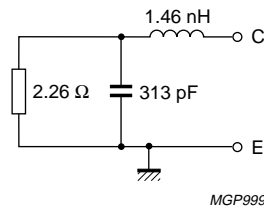


Fig.1 Equivalent circuit of BLV25 output.

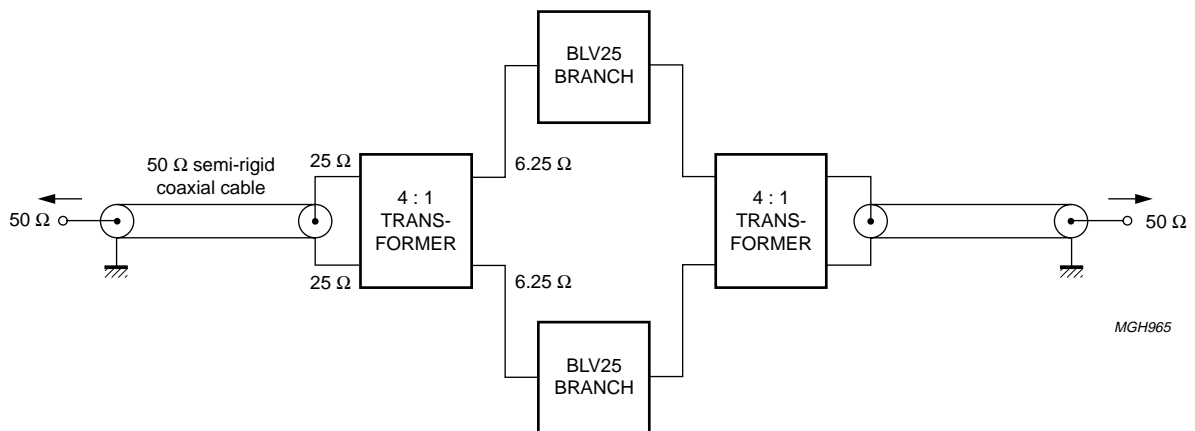
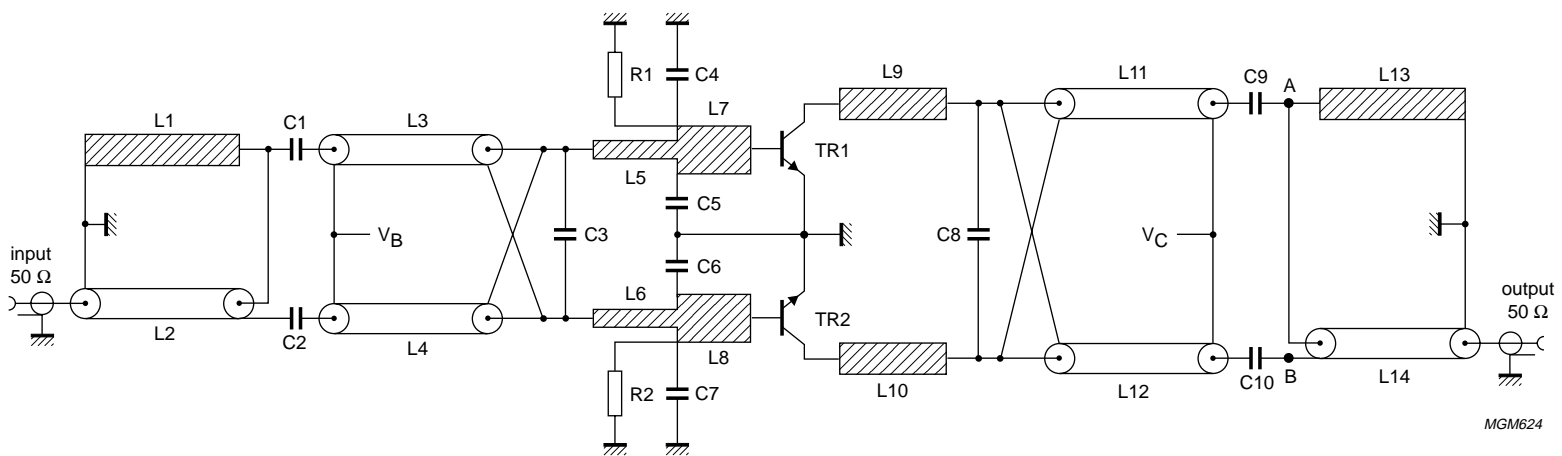


Fig.2 Main amplifier schematic.

Wideband 300 W push-pull FM amplifier using BLV25 transistors

Application Note
AN98031



For parts list, see Table 5.

Fig.3 300 W push-pull amplifier for the FM broadcast band (Theoretical design).

Wideband 300 W push-pull FM amplifier
using BLV25 transistors

Application Note
AN98031

Table 5 Parts list of the main amplifier (Theoretical design)

$R_1 = R_2 = 22 \Omega$, carbon
$C_1 = C_2 = 200 \text{ pF}$ chip (ATC 100B)
$C_3 = 330 \text{ pF}$ chip (ATC 100B)
$C_4 = C_5 = C_6 = C_7 = 620 \text{ pF}$ chip (ATC 100B)
$C_8 = 240 \text{ pF}$, 500 V chip (ATC 100B or ATC 175)
$C_9 = C_{10} = 100 \text{ pF}$, 500 V chip (ATC 100B)
$L_1 = 50 \Omega$ stripline, $w = 2.8 \text{ mm}$, $l = 144 \text{ mm}$
$L_2 = 50 \Omega$ semi-rigid coaxial cable, $d = 2.2 \text{ mm}$, $l = 144 \text{ mm}$ soldered on 50Ω stripline, $w = 2.8 \text{ mm}$
$L_3 = L_4 = 25 \Omega$ semi-rigid coaxial cable, $d = 2.2 \text{ mm}$, $l = 96 \text{ mm}$; soldered on 50Ω stripline, $w = 2.8 \text{ mm}$
$L_5 = L_6 = 50 \Omega$ stripline, $w = 2.8 \text{ mm}$, $l = 18.1 \text{ mm}$
$L_7 = L_8 = 30 \Omega$ stripline, $w = 6 \text{ mm}$, $l = 4.8 \text{ mm}$
$L_9 = L_{10} = 30 \Omega$ stripline, $w = 6 \text{ mm}$, $l = 14.1 \text{ mm}$
$L_{11} = L_{12} = 25 \Omega$ semi-rigid coaxial cable, $d = 3.5 \text{ mm}$, $l = 60.3 \text{ mm}$ soldered on 50Ω stripline, $w = 2.8 \text{ mm}$
$L_{13} = 50 \Omega$ stripline, $w = 2.8 \text{ mm}$, $l = 139.6 \text{ mm}$
$L_{14} = 50 \Omega$ semi-rigid coaxial cable, $d = 3.5 \text{ mm}$, $l = 139.6 \text{ mm}$ soldered on 50Ω stripline, $w = 2.8 \text{ mm}$
$T_1 = T_2 = \text{BLV25}$
Print board material: $\frac{1}{16}$ -inch epoxy fibre-glass, $\epsilon_r = 4.5$

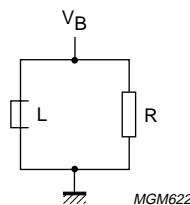


Fig.4 V_b bias, components: $R = 12 \Omega$, carbon; $L = \text{Fxc 3B RF choke}$, part no. 4312 020 36640.

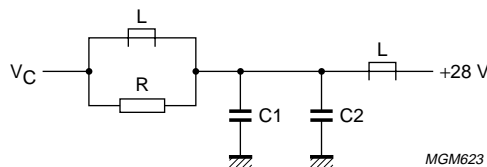


Fig.5 V_c bias. Components: $R = 12 \Omega$, carbon; $C_1 = 2.7 \text{ nF}$, chip (NP0 type); $C_2 = 100 \text{ nF}$, chip (X7R type); $L = \text{FXC3B bead}$, part no. 4312 020 31500 wound with 3 to 6 wires in parallel.

Wideband 300 W push-pull FM amplifier
using BLV25 transistors

Application Note
AN98031

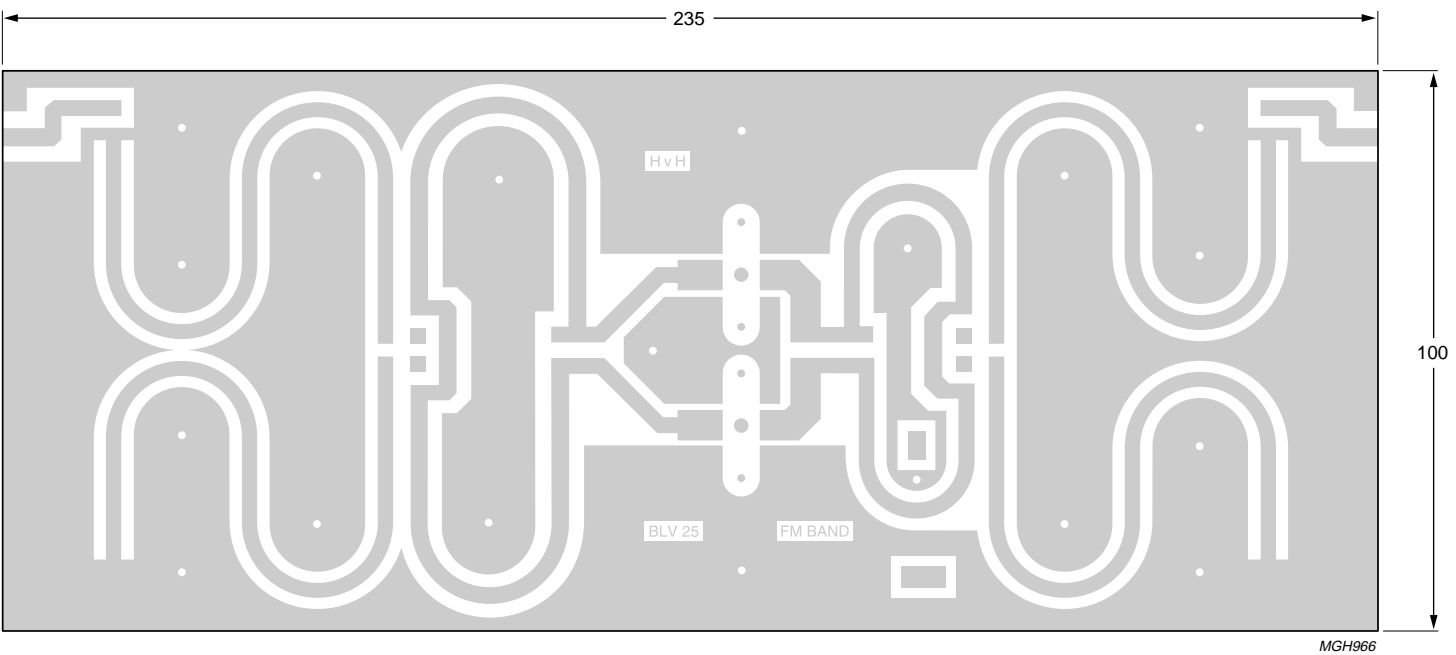


Fig.6 Printed-circuit board.

Wideband 300 W push-pull FM amplifier
using BLV25 transistors

Application Note
AN98031

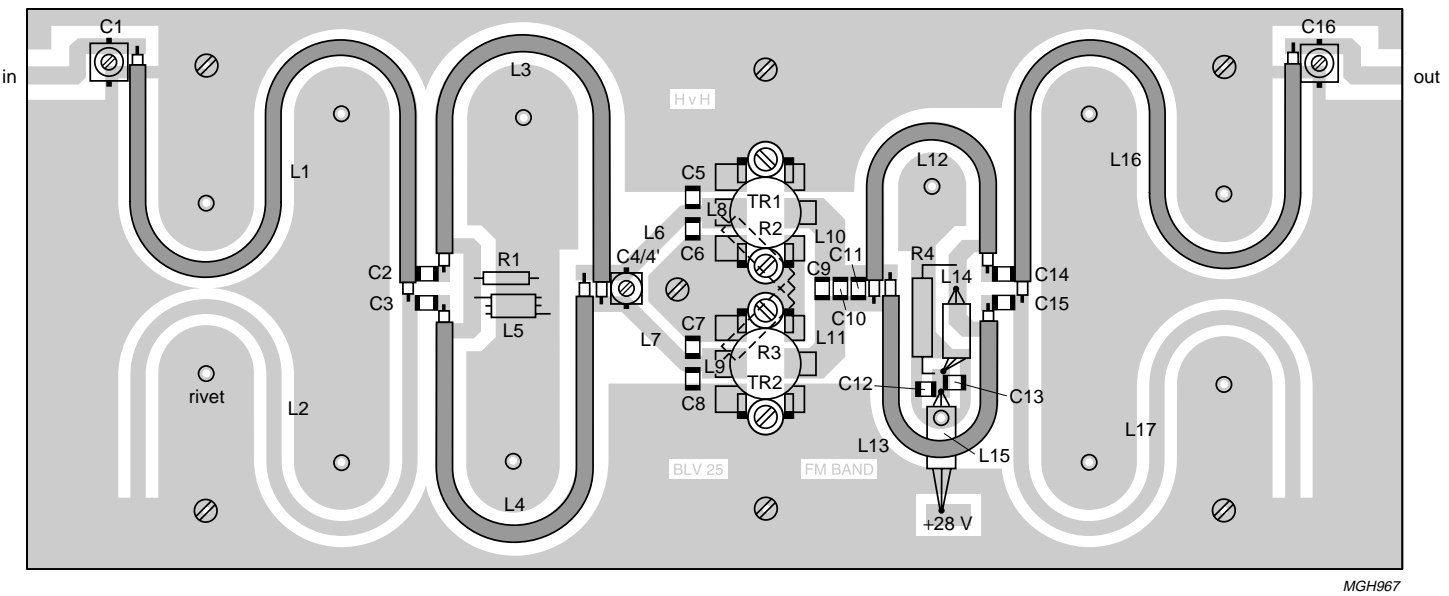


Fig.7 Amplifier lay out.

Wideband 300 W push-pull FM amplifier
using BLV25 transistors

Application Note
AN98031

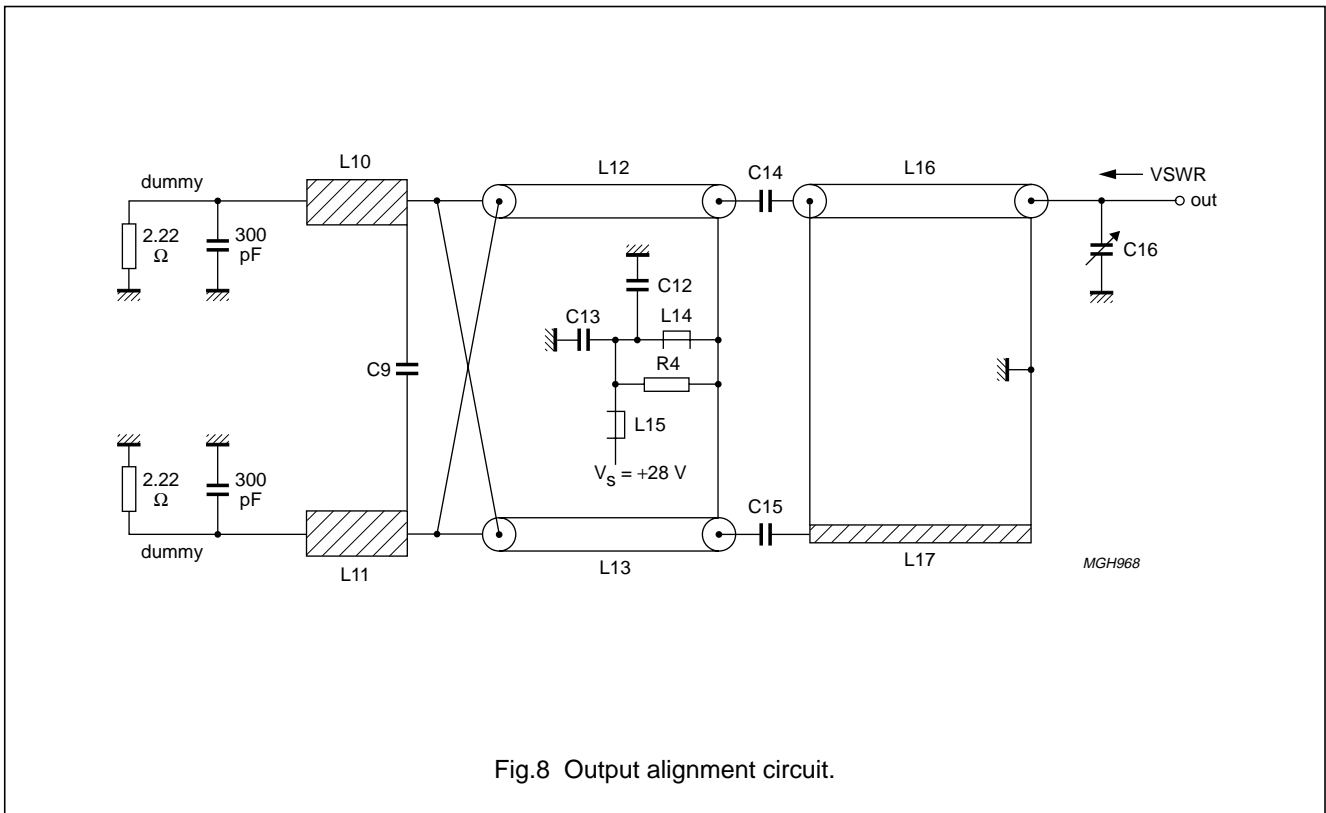


Fig.8 Output alignment circuit.

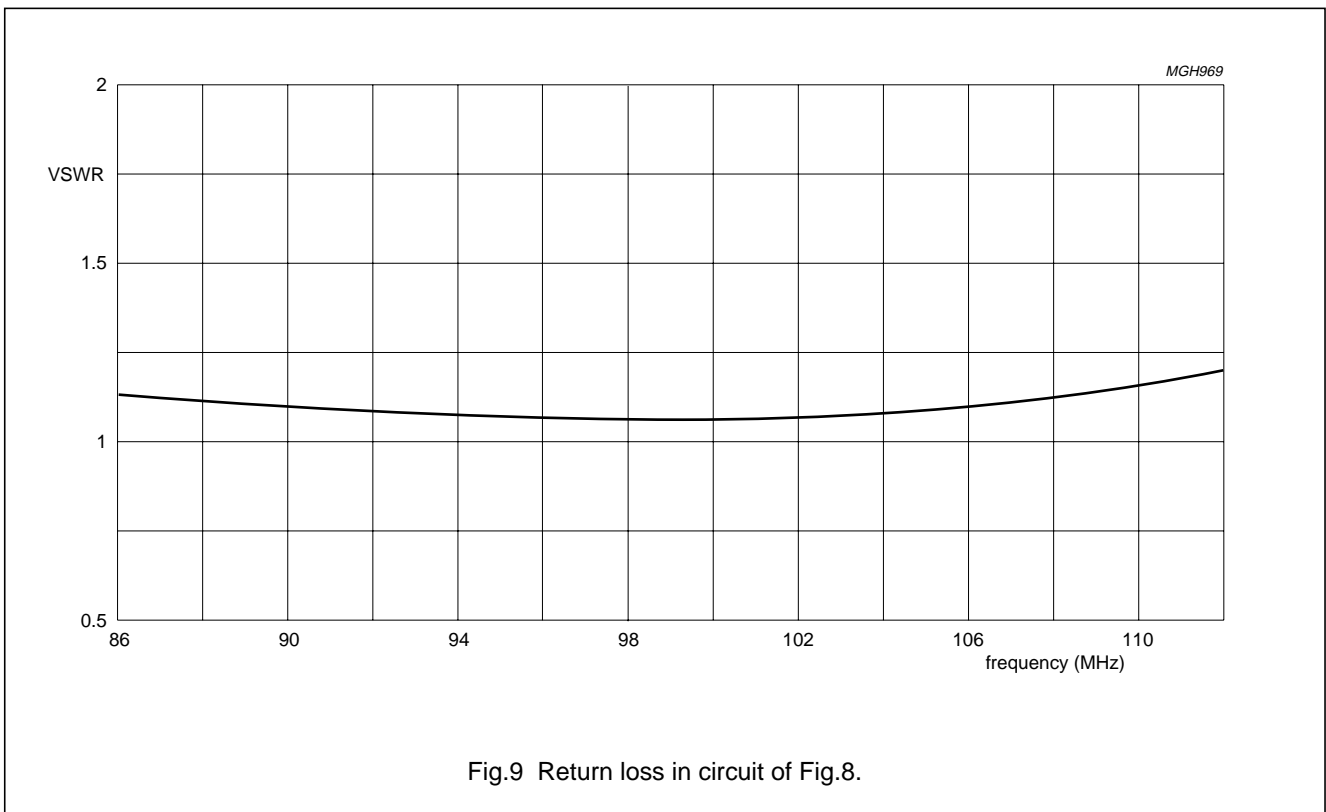
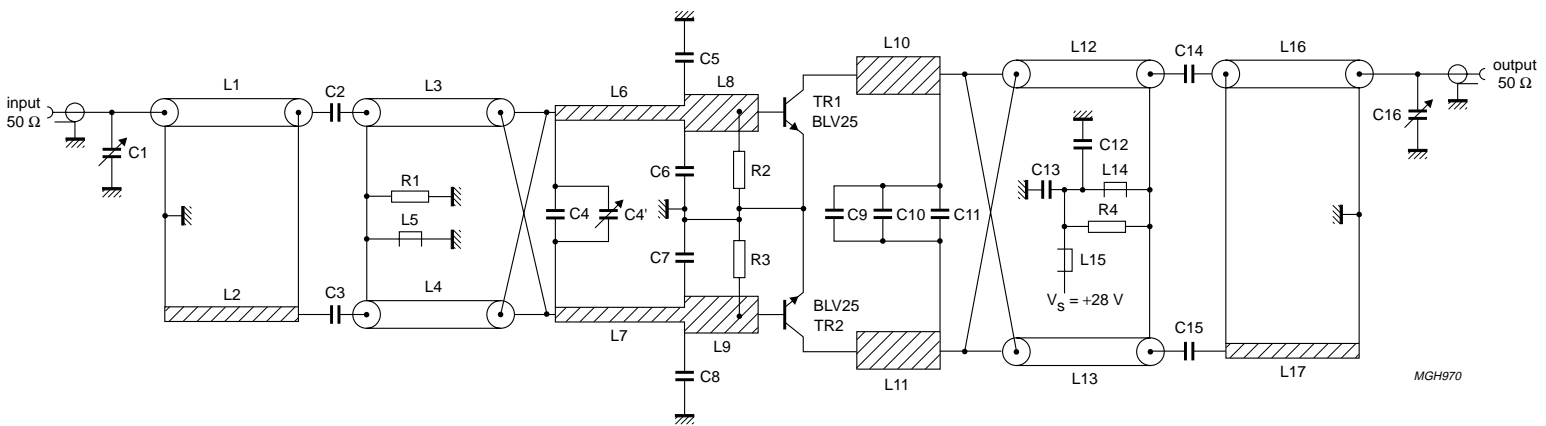


Fig.9 Return loss in circuit of Fig.8.

Wideband 300 W push-pull FM amplifier using BLV25 transistors

Application Note
AN98031



For parts list see Table 6.

Fig.10 Practical amplifier circuit diagram.

Wideband 300 W push-pull FM amplifier using BLV25 transistors

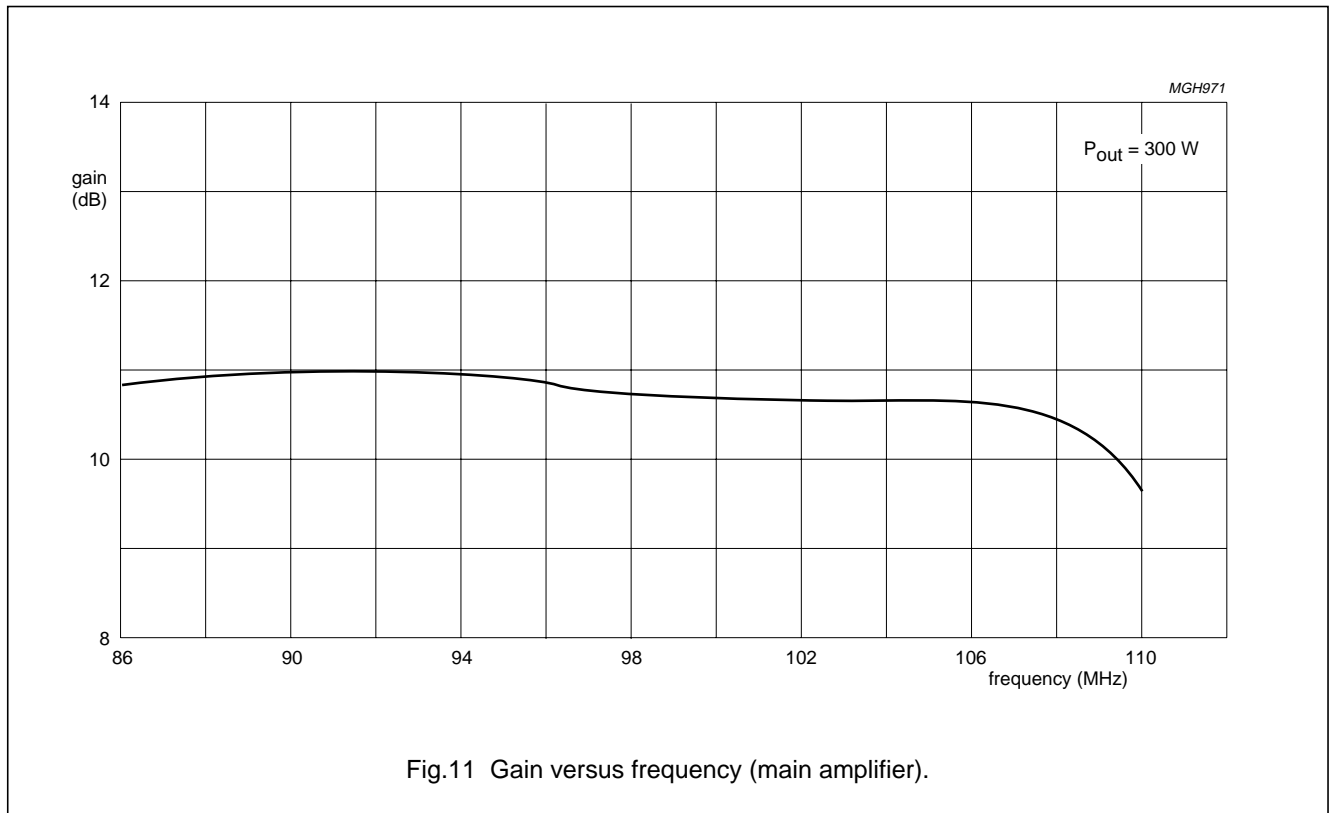
Application Note AN98031

Table 6 Parts list of the main amplifier (Practical design)

$R_1 = 12.1 \Omega$ metal film	Philips MR 25, (2322 151 71219)
$R_2 = R_3 = 4.99 \Omega$ metal film	Philips MR 52, (2322 153 54998)
$R_4 = 12.1 \Omega$ metal film	Philips MR 52, (2322 153 51219)
$C_1 = C_4 = C_{16} = 2 - 18$ pF film dielectric trimmer	Philips, (2222 809 05003)
$C_2 = C_3 = 200$ pF chip	ATC 100B-201-K-Px-300
$C_4 = 300$ pF chip	ATC 100B-301-K-Px-200
$C_5 = C_6 = C_7 = C_8 = 680$ pF chip (ATC 100B-681-K-Px-50) in parallel with 150 pF chip	(ATC 100B-151-J-Px-300)
$C_9 = 43$ pF chip	ATC 100B-430-J-Px-500
$C_{10} = 68$ pF chip	ATC 100B-680-J-Px-500
$C_{11} = 82$ pF chip	ATC 100B-820-J-Px-500
$C_{12} = 2.7$ nF chip	Philips NPO size 1210, (2222 852 13272)
$C_{13} = 100k$ chip	Philips X7R size 1812, (2222 852 48104)
$C_{14} = C_{15} = 100$ pF chip	ATC 100B-101-J-Px-500
$L_1 = 50 \Omega$ semi-rigid coaxial cable, $d = 2.2$ mm, $l = 144$ mm, soldered on 50Ω stripline, $w = 2.8$ mm	
$L_2 = 50 \Omega$ stripline, $w = 2.8$ mm, $l = 144$ mm	
$L_3 = L_4 = 25 \Omega$ semi-rigid coaxial cable, $d = 3.5$ mm, $l = 96$ mm, soldered on 50Ω stripline, $w = 2.8$ mm	
$L_5 =$ FXC 3B RF choke	Philips 4312 020 36642
$L_6 = L_7 = 50 \Omega$ stripline, $w = 2.8$ mm, $l = 18.1$ mm	
$L_8 = L_9 = 30 \Omega$ stripline, $w = 6$ mm, $l = 4.8$ mm	
$L_{10} = L_{11} = 30 \Omega$ stripline, $w = 6$ mm, $l = 14.1$ mm	
$L_{12} = L_{13} = 25 \Omega$ semi-rigid coaxial cable, $d = 3.5$ mm, $l = 60.3$ mm soldered on 50Ω stripline, $w = 2.8$ mm	
$L_{14} = L_{15} =$ FXC 3B beads, Philips 4312 020 31500 wound with 6 leads in parallel	
$L_{16} = 50 \Omega$ semi-rigid coaxial cable, $d = 3.5$ mm, $l = 139.6$ mm soldered on 50Ω stripline, $w = 2.8$ mm	
$L_{17} = 50 \Omega$ stripline, $w = 2.8$ mm, $l = 139.6$ mm	
$T_1 = T_2 =$ BLV25	
Print board material: $\frac{1}{16}$ -inch epoxy fibre-glass, $\epsilon_r = 4.5$	

Wideband 300 W push-pull FM amplifier
using BLV25 transistors

Application Note
AN98031



Wideband 300 W push-pull FM amplifier using BLV25 transistors

Application Note AN98031

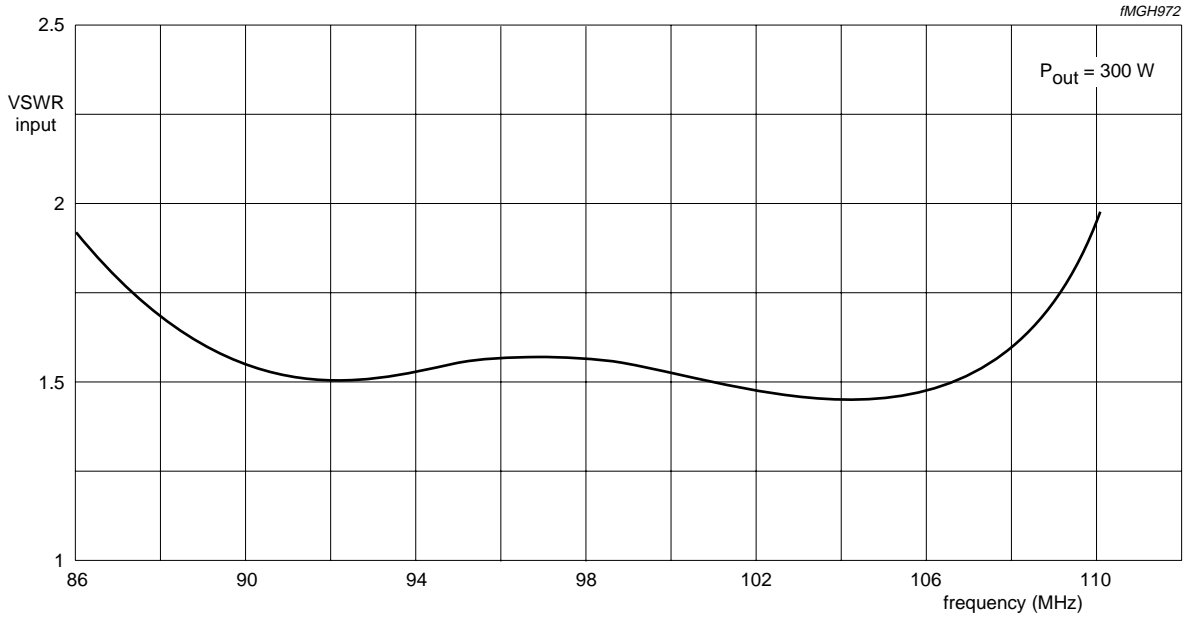


Fig.12 Input VSWR versus frequency (main amplifier).

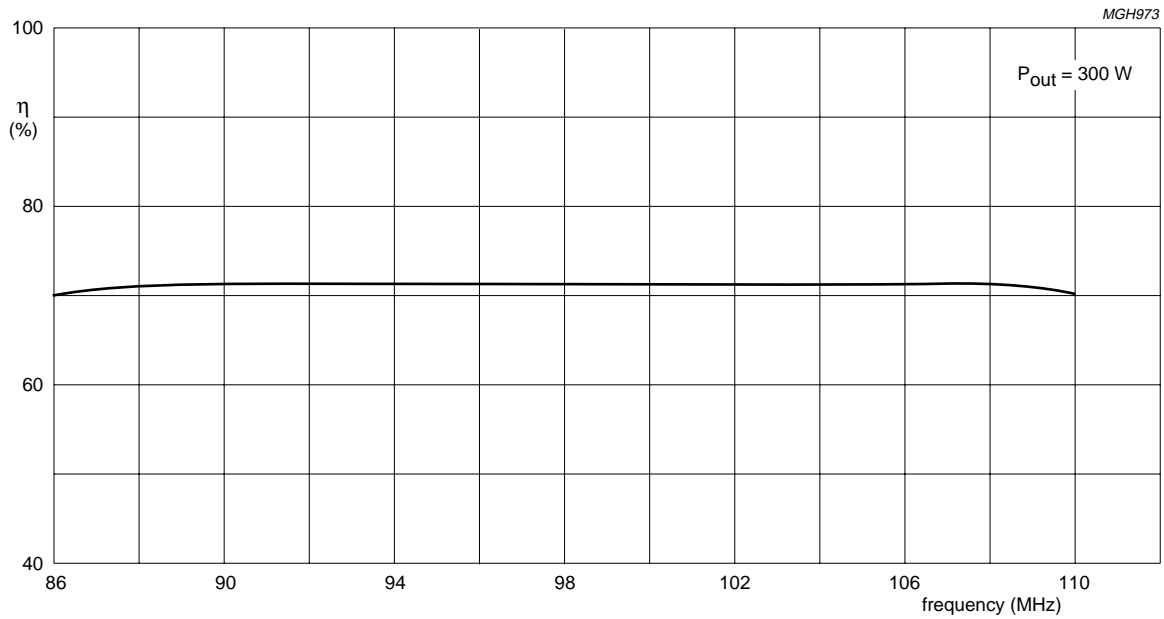


Fig.13 Collector efficiency versus frequency (main amplifier).

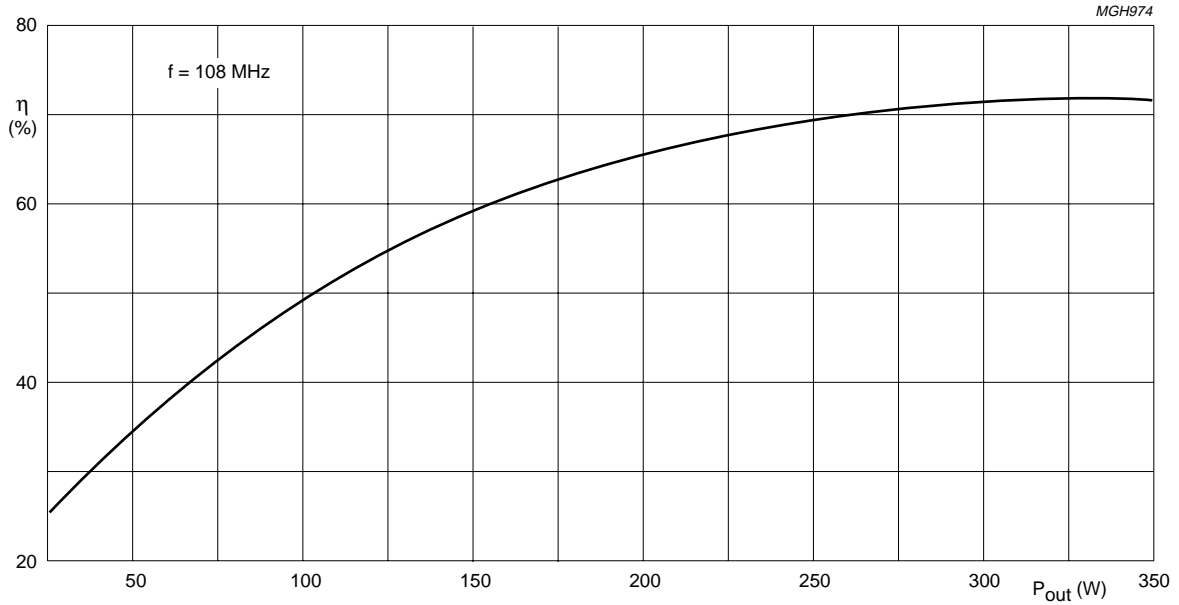


Fig.14 Efficiency, η , versus output power (main amplifier).

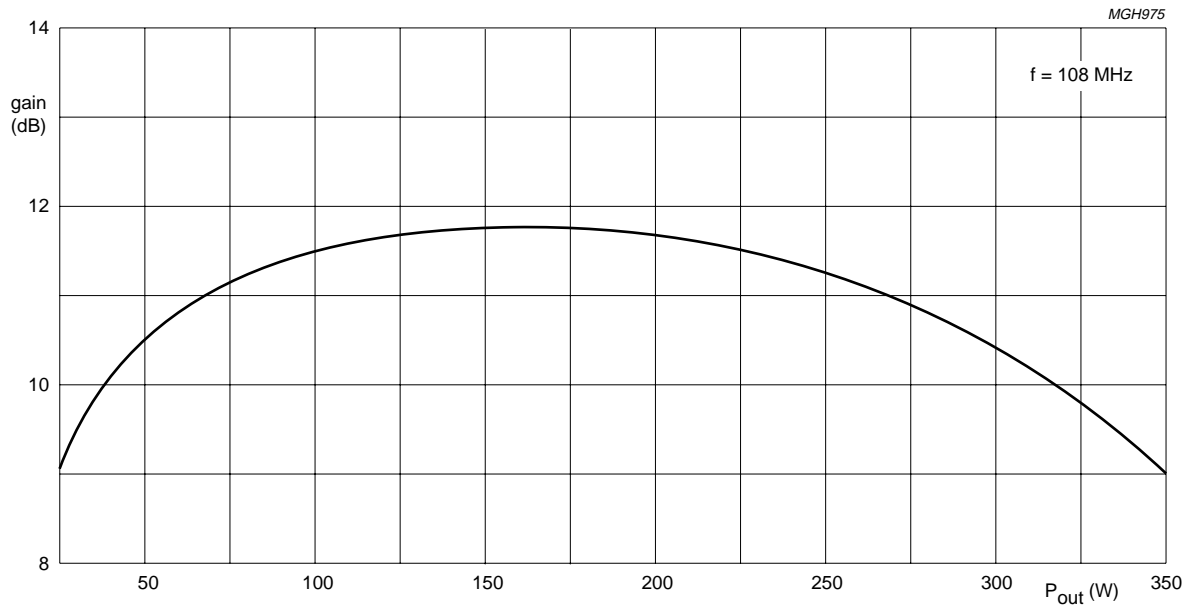


Fig.15 Gain versus output power (main amplifier).

Wideband 300 W push-pull FM amplifier
using BLV25 transistors

Application Note
AN98031

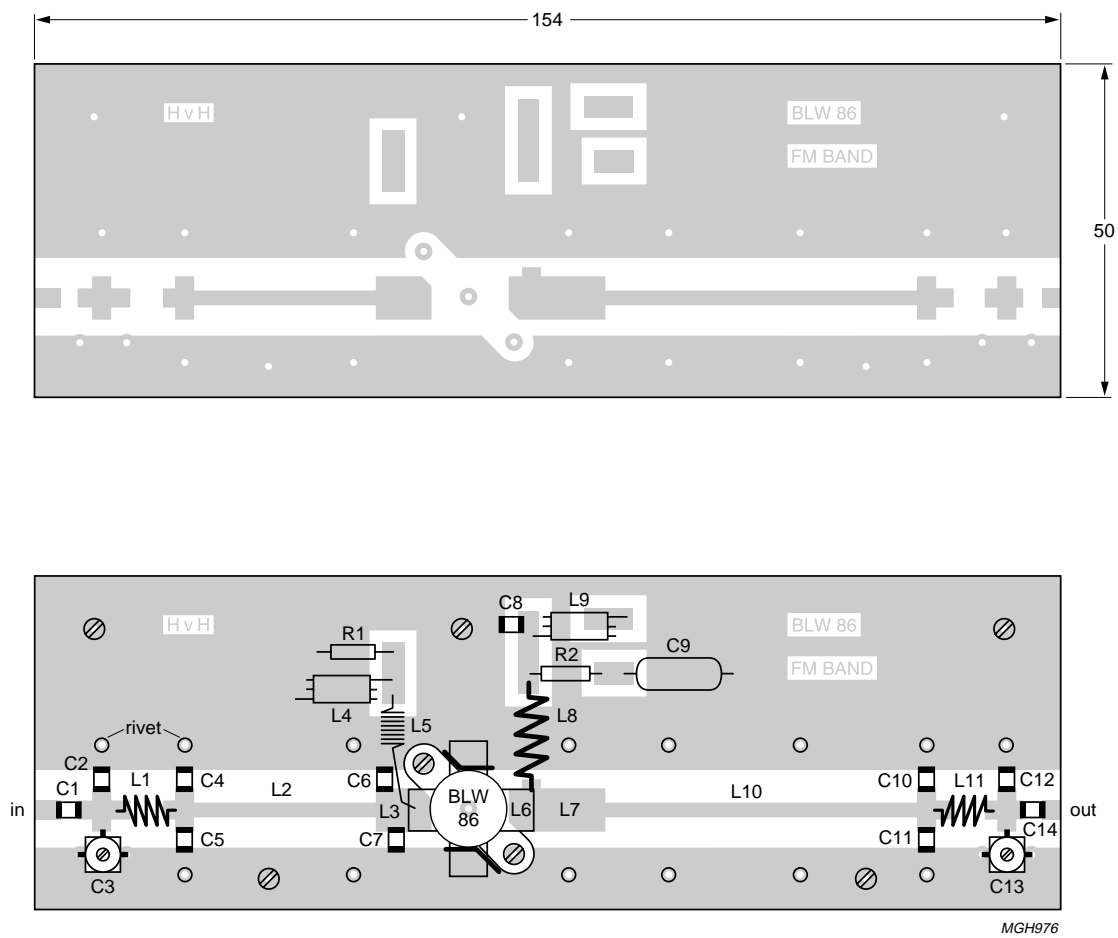


Fig.16 Printed circuit board and lay out of the driver.

Wideband 300 W push-pull FM amplifier
using BLV25 transistors

Application Note
AN98031

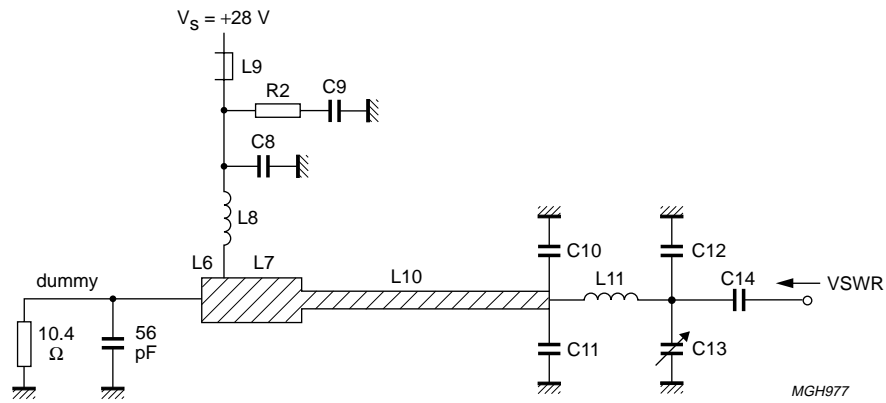


Fig.17 Output alignment circuit (driver).

Wideband 300 W push-pull FM amplifier
using BLV25 transistors

Application Note
AN98031

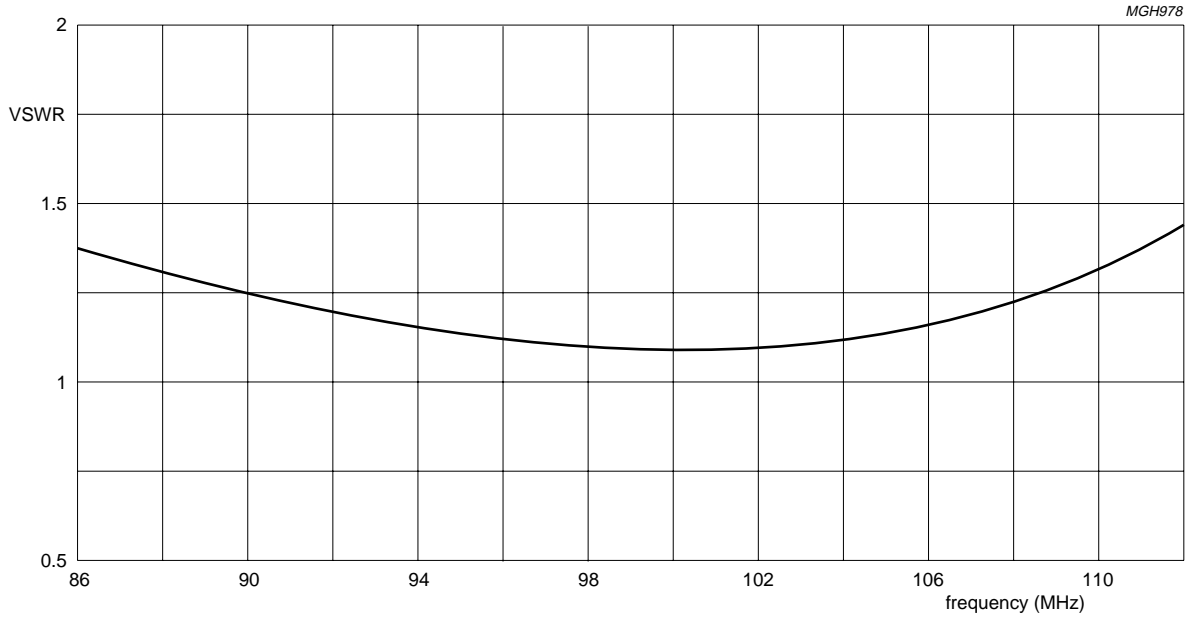


Fig.18 Output VSWR in circuit of Fig.17.

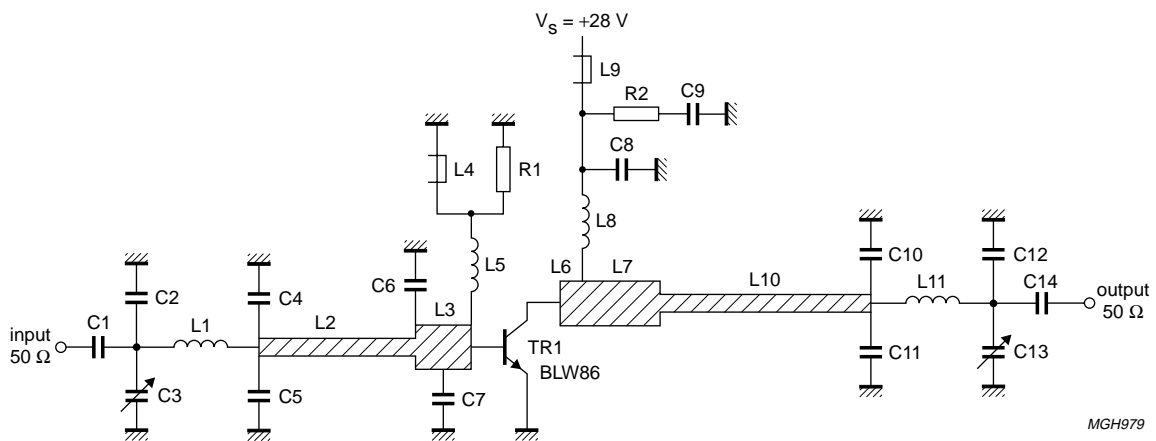


Fig.19 Driver amplifier circuit.

Wideband 300 W push-pull FM amplifier using BLV25 transistors

Application Note AN98031

Table 7 Driver amplifier

$R_1 = 12.1 \Omega$ metal film	Philips MR 25 (2322 151 71219)
$R_2 = 10 \Omega$ metal film	Philips MR 25, (2322 151 71009)
$C_1 = C_8 = C_{14} = 2.7$ nF chip	Philips NPO size 1210, (2222 852 13272)
$C_2 = 33$ pF chip	ATC 100B-330-J-Px-500
$C_3 = C_{13} = 2 - 18$ pF film dielectric trimmer	Philips, (2222 809 09003)
$C_4 = C_5 = 120$ pF chip	ATC 100B-121-J-Px-300
$C_6 = C_7 = 510$ pF chip	ATC 100B-511-M-Px-100
$C_9 = 100$ nF metallized film capacitor	Philips, (2222 352 45104)
$C_{10} = C_{11} = 30$ pF chip	ATC 100B-300-J-Px-500
$C_{12} = 18$ pF chip	ATC 100B-180-J-Px-500
$L_1 = 48$ nH 4 turns enamelled Cu wire $\phi = 0.8$ mm, i.d. 3 mm, closely wound, length 3.5 mm, leads 2×5 mm	
$L_2 = 60.2 \Omega$ stripline, w = 2 mm, l = 27.2 mm	
$L_3 = 30.1 \Omega$ stripline, w = 6 mm, l = 7.9 mm	
$L_4 = L_9 =$ FXC 3B RF choke	Philips 4312 020 36640
$L_5 = 200$ nH 14 turns enamelled Cu wire $\phi = 0.5$ mm, i.d. 3 mm, closely wound, length 9 mm	
$L_6 = 30.1 \Omega$ stripline, w = 6 mm, l = 3 mm	
$L_7 = 30.1 \Omega$ stripline, w = 6 mm, l = 11.8 mm	
$L_8 = 27.9$ nH 4 turns enamelled Cu wire $\phi = 1$ mm, i.d. 4 mm, length 14.3 mm, leads 2×5 mm	
$L_{10} = 60.2 \Omega$ stripline, w = 2 mm, l = 47 mm	
$L_{11} = 55$ nH 4 turns enamelled Cu wire $\phi = 1$ mm, i.d. 4 mm, length 5.5 mm, leads 2×5 mm	
$T_1 =$ BLW86	
Print board material: $\frac{1}{16}$ -inch epoxy fibre-glass, $\epsilon_r = 4.5$	

Wideband 300 W push-pull FM amplifier
using BLV25 transistors

Application Note
AN98031

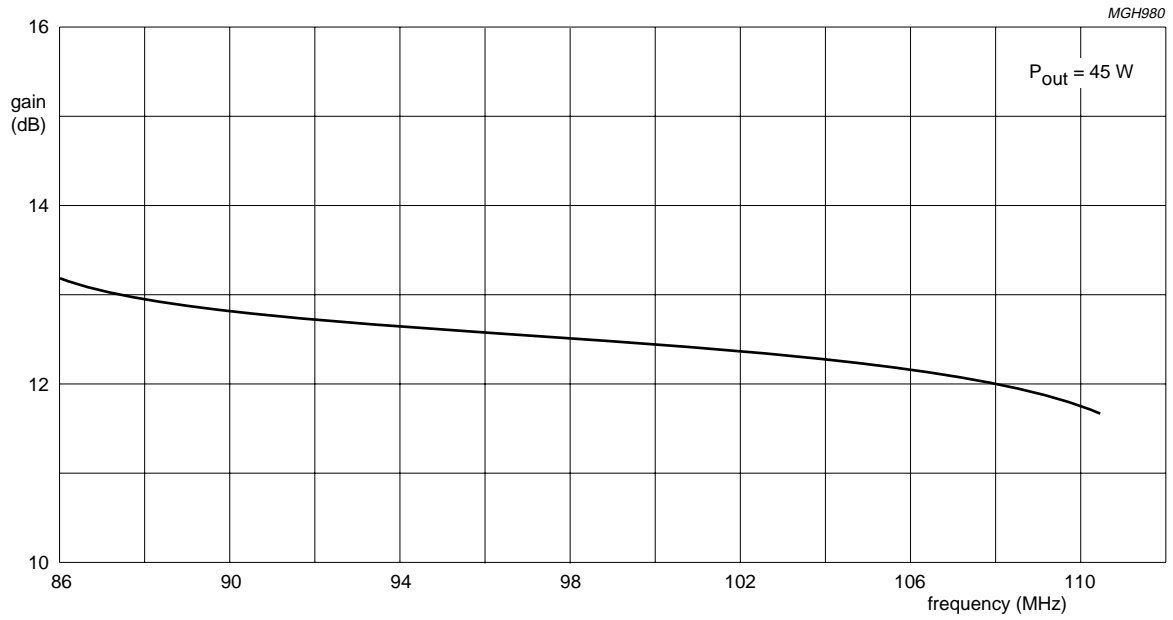


Fig.20 Gain versus frequency (driver).

Wideband 300 W push-pull FM amplifier
using BLV25 transistors

Application Note
AN98031

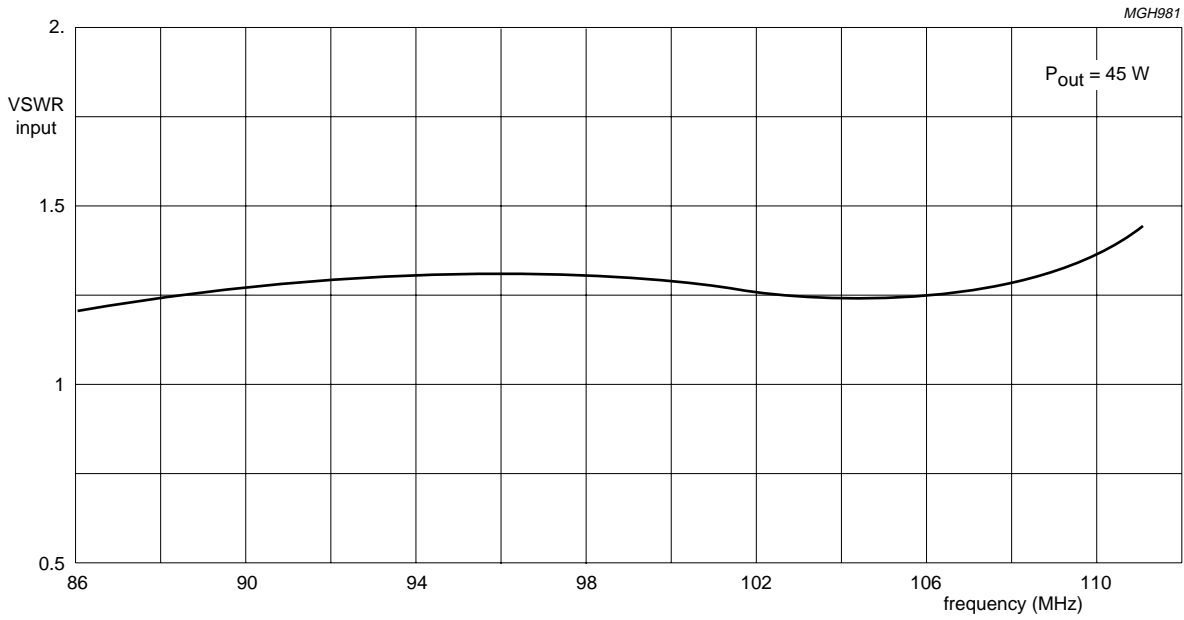


Fig.21 Input VSWR versus frequency (driver).

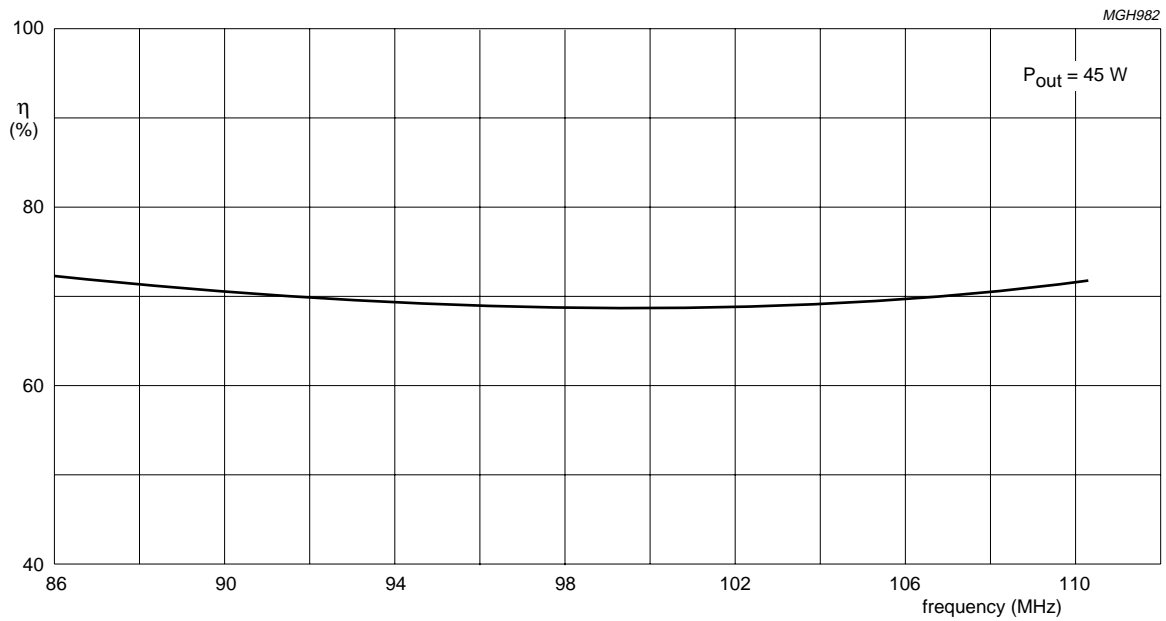


Fig.22 Collector efficiency versus frequency (driver).

Wideband 300 W push-pull FM amplifier using BLV25 transistors

Application Note AN98031

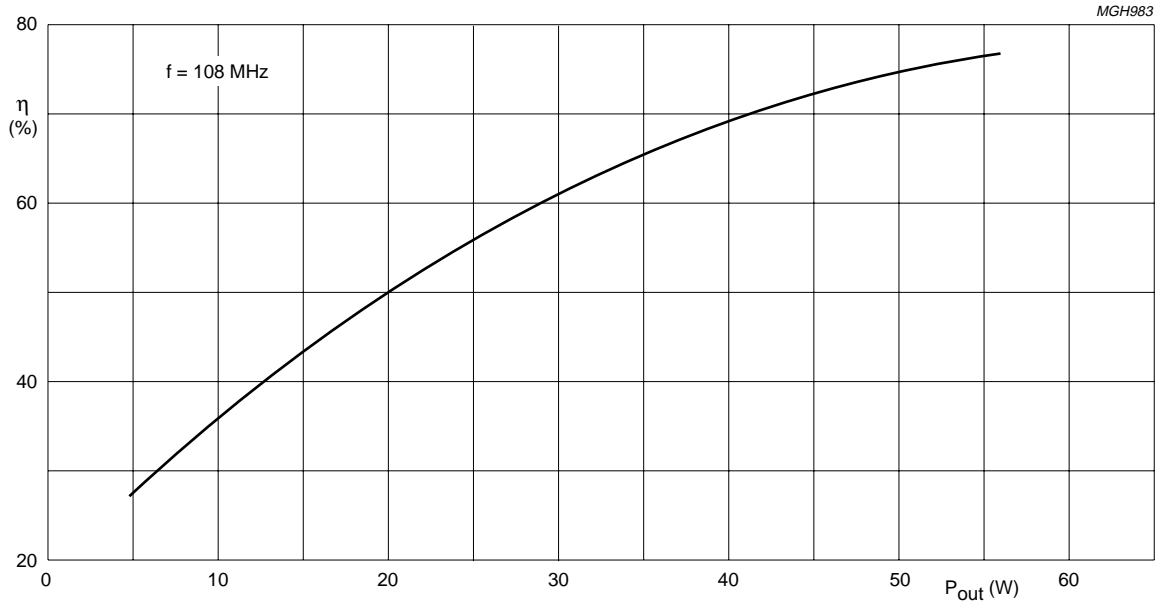


Fig.23 Collector efficiency, η , versus output power (driver).

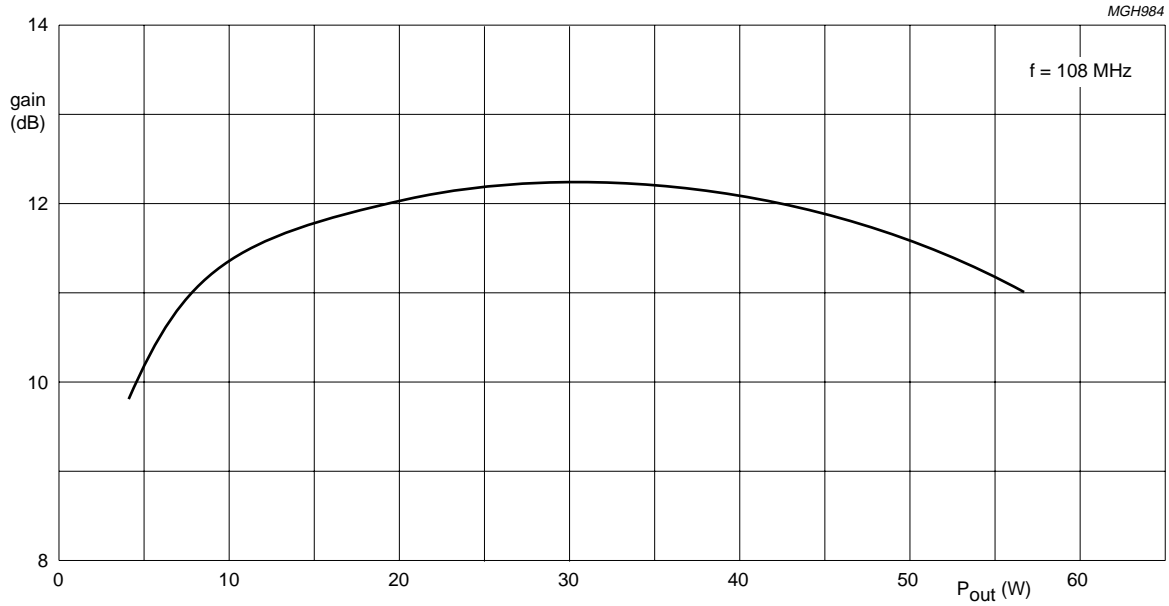


Fig.24 Gain versus output power (driver).

Wideband 300 W push-pull FM amplifier using BLV25 transistors

Application Note AN98031

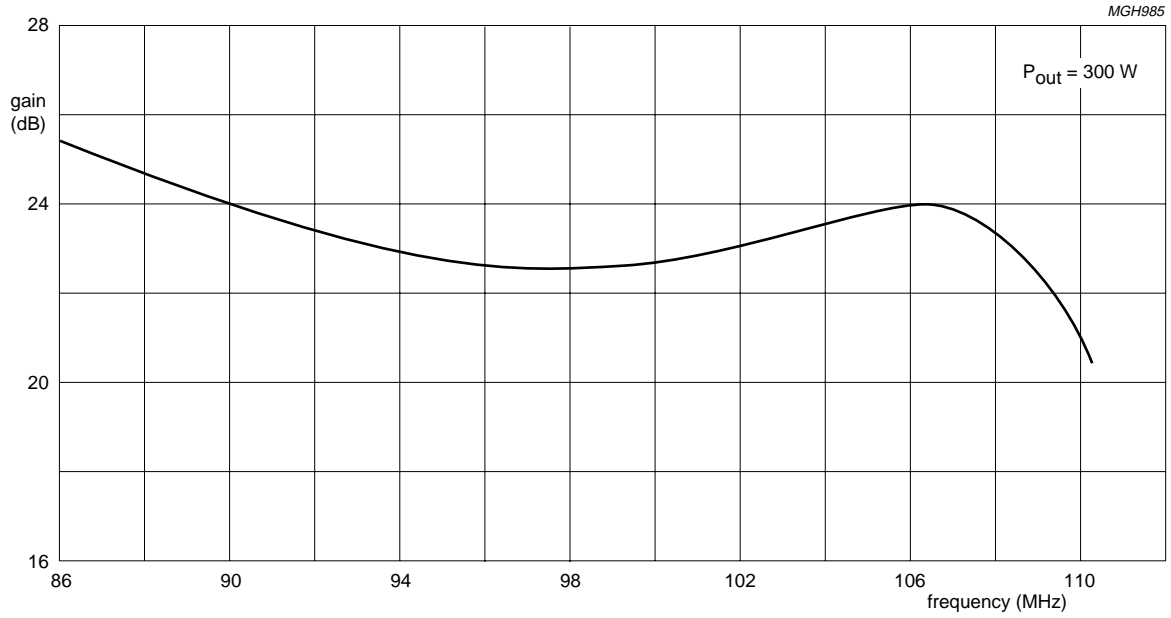


Fig.25 Gain versus frequency (combination amplifier).

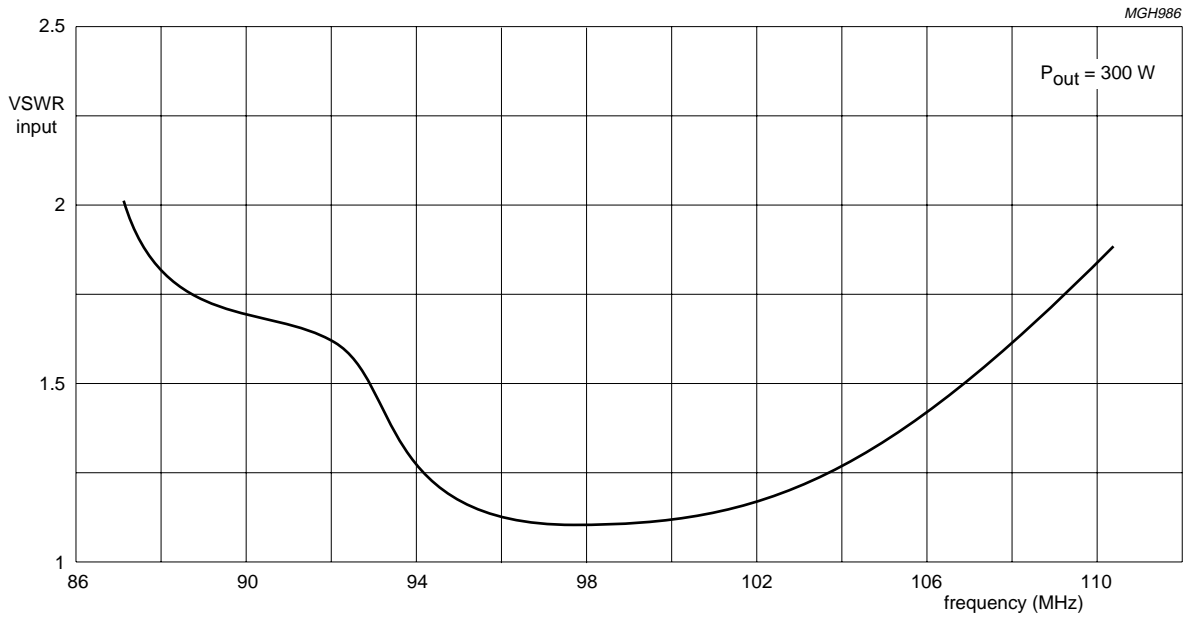


Fig.26 Input VSWR versus frequency (combination amplifier).

Wideband 300 W push-pull FM amplifier
using BLV25 transistors

Application Note
AN98031

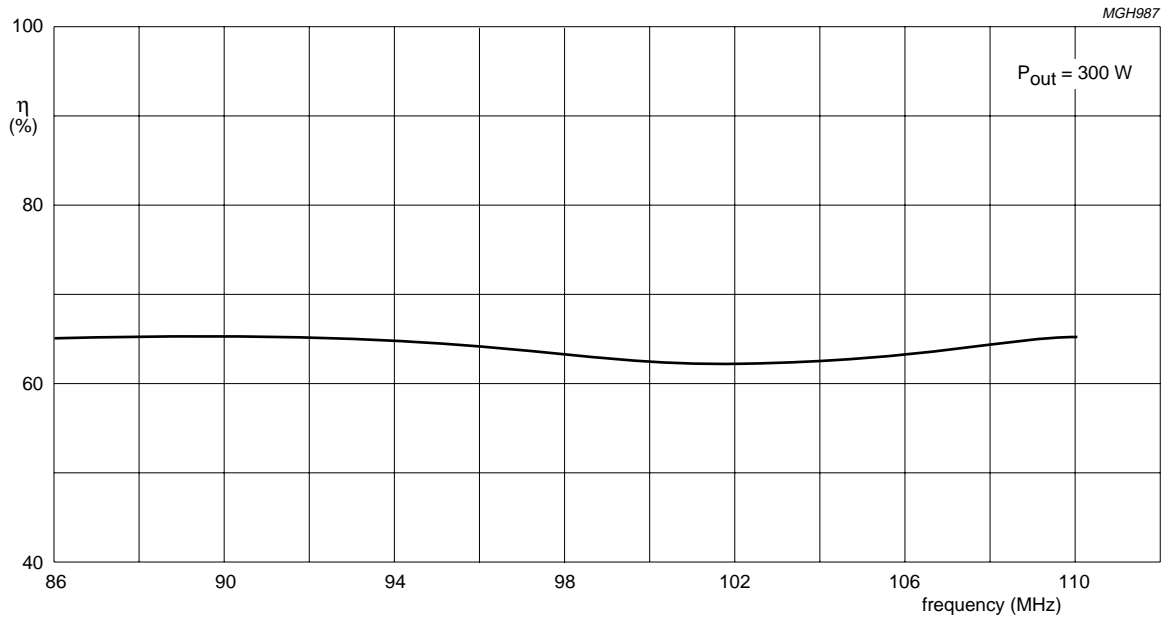


Fig.27 Efficiency versus frequency (combination amplifier).

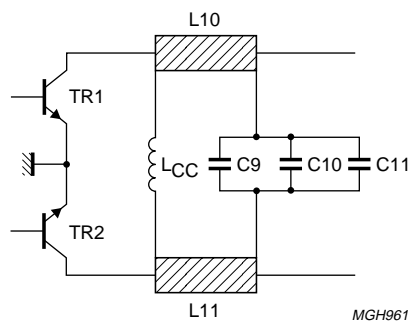
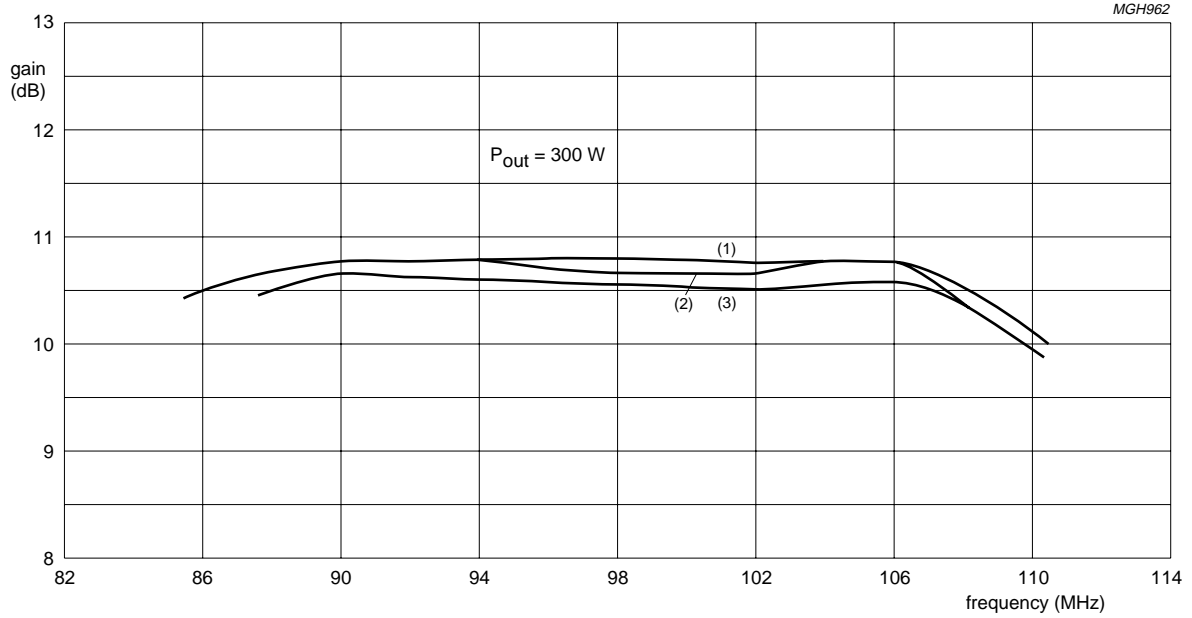


Fig.28 Adding inductance L_{CC} improves stability at low output powers and raises efficiency. Compare this with the relevant part of the circuit shown in Fig.10.

Wideband 300 W push-pull FM amplifier
using BLV25 transistors

Application Note
AN98031



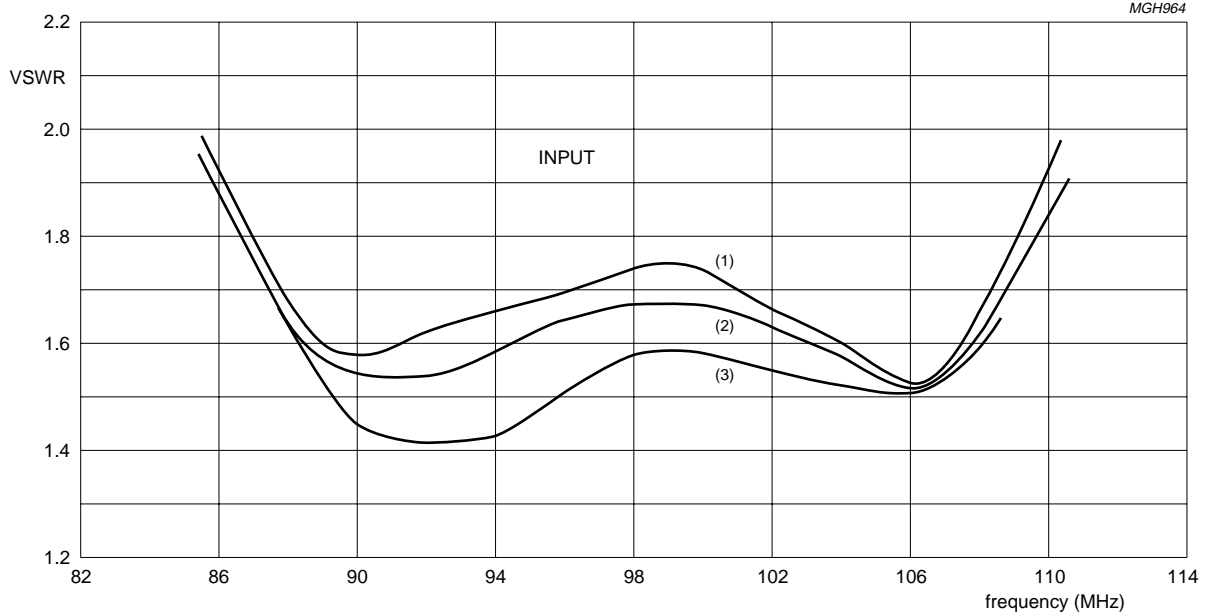
Legend:

- (1) no L_{CC} .
- (2) $L_{CC} = 41$ nH; 2 turns enamelled Cu wire $\phi = 1.7$ mm, i.d. $D = 8$ mm, length 6 mm, leads 2×10 mm.
- (3) $L_{CC} = 29$ nH 1 turn enamelled Cu wire $\phi = 1.7$ mm, i.d. $D = 10$ mm, leads 2×12 mm.

Fig.29 Gain versus frequency.

Wideband 300 W push-pull FM amplifier
using BLV25 transistors

Application Note
AN98031



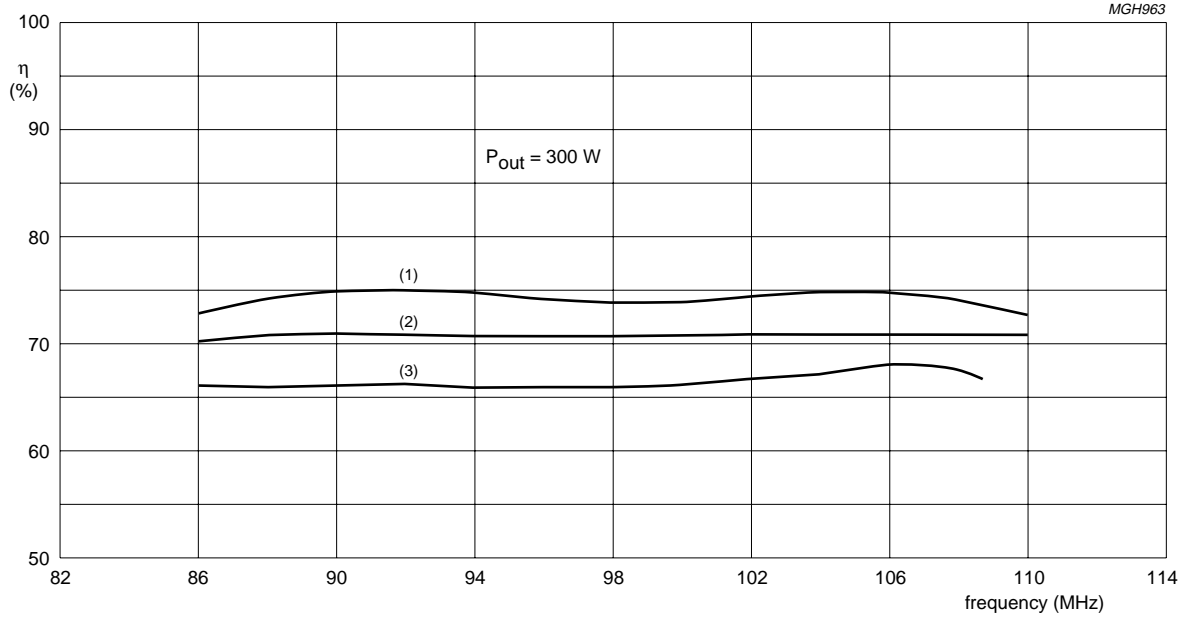
Legend:

- (1) no L_{CC}.
- (2) L_{CC} = 41 nH; 2 turns enamelled Cu wire $\phi = 1.7$ mm, i.d. D = 8 mm, length 6 mm, leads 2 \times 10 mm.
- (3) L_{CC} = 29 nH 1 turn enamelled Cu wire $\phi = 1.7$ mm, i.d. D = 10 mm, leads 2 \times 12 mm.

Fig.30 Input VSWR versus frequency.

Wideband 300 W push-pull FM amplifier
using BLV25 transistors

Application Note
AN98031



Legend: as Fig.29.

Fig.31 Efficiency versus frequency.

Philips Semiconductors – a worldwide company

Argentina: see South America

Australia: 34 Waterloo Road, NORTH RYDE, NSW 2113,
Tel. +61 2 9805 4455, Fax. +61 2 9805 4466

Austria: Computerstr. 6, A-1101 WIEN, P.O. Box 213, Tel. +43 160 1010,
Fax. +43 160 101 1210

Belarus: Hotel Minsk Business Center, Bld. 3, r. 1211, Volodarski Str. 6,
220050 MINSK, Tel. +375 172 200 733, Fax. +375 172 200 773

Belgium: see The Netherlands

Brazil: see South America

Bulgaria: Philips Bulgaria Ltd., Energoproject, 15th floor,
51 James Bourchier Blvd., 1407 SOFIA,
Tel. +359 2 689 211, Fax. +359 2 689 102

Canada: PHILIPS SEMICONDUCTORS/COMPONENTS,
Tel. +1 800 234 7381

China/Hong Kong: 501 Hong Kong Industrial Technology Centre,
72 Tat Chee Avenue, Kowloon Tong, HONG KONG,
Tel. +852 2319 7888, Fax. +852 2319 7700

Colombia: see South America

Czech Republic: see Austria

Denmark: Prags Boulevard 80, PB 1919, DK-2300 COPENHAGEN S,
Tel. +45 32 88 2636, Fax. +45 31 57 0044

Finland: Sinikalliontie 3, FIN-02630 ESPOO,
Tel. +358 9 615800, Fax. +358 9 61580920

France: 51 Rue Carnot, BP317, 92156 SURESNES Cedex,
Tel. +33 1 40 99 6161, Fax. +33 1 40 99 6427

Germany: Hammerbrookstraße 69, D-20097 HAMBURG,
Tel. +49 40 23 53 60, Fax. +49 40 23 536 300

Greece: No. 15, 25th March Street, GR 17778 TAVROS/ATHENS,
Tel. +30 1 4894 339/239, Fax. +30 1 4814 240

Hungary: see Austria

India: Philips INDIA Ltd, Band Box Building, 2nd floor,
254-D, Dr. Annie Besant Road, Worli, MUMBAI 400 025,
Tel. +91 22 493 8541, Fax. +91 22 493 0966

Indonesia: see Singapore

Ireland: Newstead, Clonskeagh, DUBLIN 14,
Tel. +353 1 7640 000, Fax. +353 1 7640 200

Israel: RAPAC Electronics, 7 Kehilat Saloniki St, PO Box 18053,
TEL AVIV 61180, Tel. +972 3 645 0444, Fax. +972 3 649 1007

Italy: PHILIPS SEMICONDUCTORS, Piazza IV Novembre 3,
20124 MILANO, Tel. +39 2 6752 2531, Fax. +39 2 6752 2557

Japan: Philips Bldg 13-37, Kohnan 2-chome, Minato-ku, TOKYO 108,
Tel. +81 3 3740 5130, Fax. +81 3 3740 5077

Korea: Philips House, 260-199 Itaewon-dong, Yongsan-ku, SEOUL,
Tel. +82 2 709 1412, Fax. +82 2 709 1415

Malaysia: No. 76 Jalan Universiti, 46200 PETALING JAYA, SELANGOR,
Tel. +60 3 750 5214, Fax. +60 3 757 4880

Mexico: 5900 Gateway East, Suite 200, EL PASO, TEXAS 79905,
Tel. +9-5 800 234 7381

Middle East: see Italy

Netherlands: Postbus 90050, 5600 PB EINDHOVEN, Bldg. VB,
Tel. +31 40 27 82785, Fax. +31 40 27 88399

New Zealand: 2 Wagener Place, C.P.O. Box 1041, AUCKLAND,
Tel. +64 9 849 4160, Fax. +64 9 849 7811

Norway: Box 1, Manglerud 0612, OSLO,
Tel. +47 22 74 8000, Fax. +47 22 74 8341

Philippines: Philips Semiconductors Philippines Inc.,
106 Valero St. Salcedo Village, P.O. Box 2108 MCC, MAKATI,
Metro MANILA, Tel. +63 2 816 6380, Fax. +63 2 817 3474

Poland: Ul. Lukiska 10, PL 04-123 WARSZAWA,
Tel. +48 22 612 2831, Fax. +48 22 612 2327

Portugal: see Spain

Romania: see Italy

Russia: Philips Russia, Ul. Usatcheva 35A, 119048 MOSCOW,
Tel. +7 095 755 6918, Fax. +7 095 755 6919

Singapore: Lorong 1, Toa Payoh, SINGAPORE 1231,
Tel. +65 350 2538, Fax. +65 251 6500

Slovakia: see Austria

Slovenia: see Italy

South Africa: S.A. PHILIPS Pty Ltd., 195-215 Main Road Martindale,
2092 JOHANNESBURG, P.O. Box 7430 Johannesburg 2000,
Tel. +27 11 470 5911, Fax. +27 11 470 5494

South America: Al. Vicente Pinzon, 173, 6th floor,
04547-130 SÃO PAULO, SP, Brazil,
Tel. +55 11 821 2333, Fax. +55 11 821 2382

Spain: Balmes 22, 08007 BARCELONA,
Tel. +34 3 301 6312, Fax. +34 3 301 4107

Sweden: Kottbygatan 7, Akalla, S-16485 STOCKHOLM,
Tel. +46 8 632 2000, Fax. +46 8 632 2745

Switzerland: Allmendstrasse 140, CH-8027 ZÜRICH,
Tel. +41 1 488 2686, Fax. +41 1 488 3263

Taiwan: Philips Semiconductors, 6F, No. 96, Chien Kuo N. Rd., Sec. 1,
TAIPEI, Taiwan Tel. +886 2 2134 2865, Fax. +886 2 2134 2874

Thailand: PHILIPS ELECTRONICS (THAILAND) Ltd.,
209/2 Sanpavuth-Bangna Road Prakanong, BANGKOK 10260,
Tel. +66 2 745 4090, Fax. +66 2 398 0793

Turkey: Talatpasa Cad. No. 5, 80640 GÜLTEPE/ISTANBUL,
Tel. +90 212 279 2770, Fax. +90 212 282 6707

Ukraine: PHILIPS UKRAINE, 4 Patrice Lumumba str., Building B, Floor 7,
252042 KIEV, Tel. +380 44 264 2776, Fax. +380 44 268 0461

United Kingdom: Philips Semiconductors Ltd., 276 Bath Road, Hayes,
MIDDLESEX UB3 5BX, Tel. +44 181 730 5000, Fax. +44 181 754 8421

United States: 811 East Arques Avenue, SUNNYVALE, CA 94088-3409,
Tel. +1 800 234 7381

Uruguay: see South America

Vietnam: see Singapore

Yugoslavia: PHILIPS, Trg N. Pasica 5/v, 11000 BEOGRAD,
Tel. +381 11 625 344, Fax. +381 11 635 777

For all other countries apply to: Philips Semiconductors,
International Marketing & Sales Communications, Building BE-p, P.O. Box 218,
5600 MD EINDHOVEN, The Netherlands, Fax. +31 40 27 24825

Internet: <http://www.semiconductors.philips.com>

© Philips Electronics N.V. 1998

SCA57

All rights are reserved. Reproduction in whole or in part is prohibited without the prior written consent of the copyright owner.

The information presented in this document does not form part of any quotation or contract, is believed to be accurate and reliable and may be changed without notice. No liability will be accepted by the publisher for any consequence of its use. Publication thereof does not convey nor imply any license under patent- or other industrial or intellectual property rights.

Printed in The Netherlands

Date of release: 1998 Mar 23

Let's make things better.

**Philips
Semiconductors**



PHILIPS