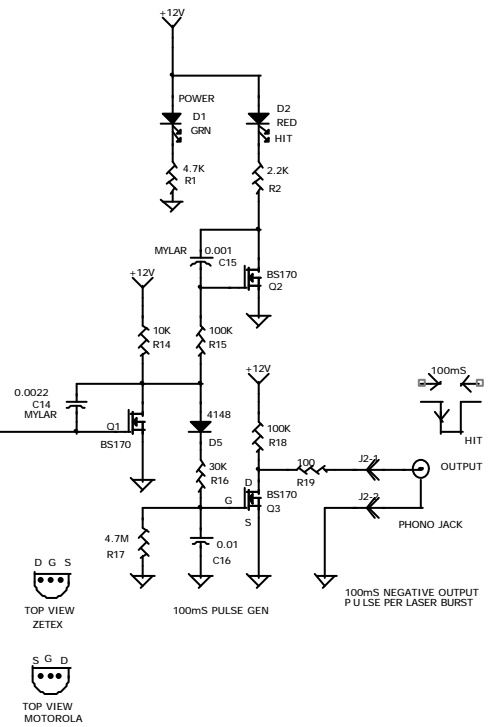


4.0KHz CENTER FREQUENCY
 $Q = 5$
 5mV THRESHOLD AT PIN 7
 GAIN = 18
 100mV THRESHOLD AT PIN 3
 TYPICAL NOISE AT PIN 3 = 15mVPP



LIGHT CONVERSION = 4V/μW
 TYPICAL NOISE LEVEL = 1mVPP (200μW LIGHT)