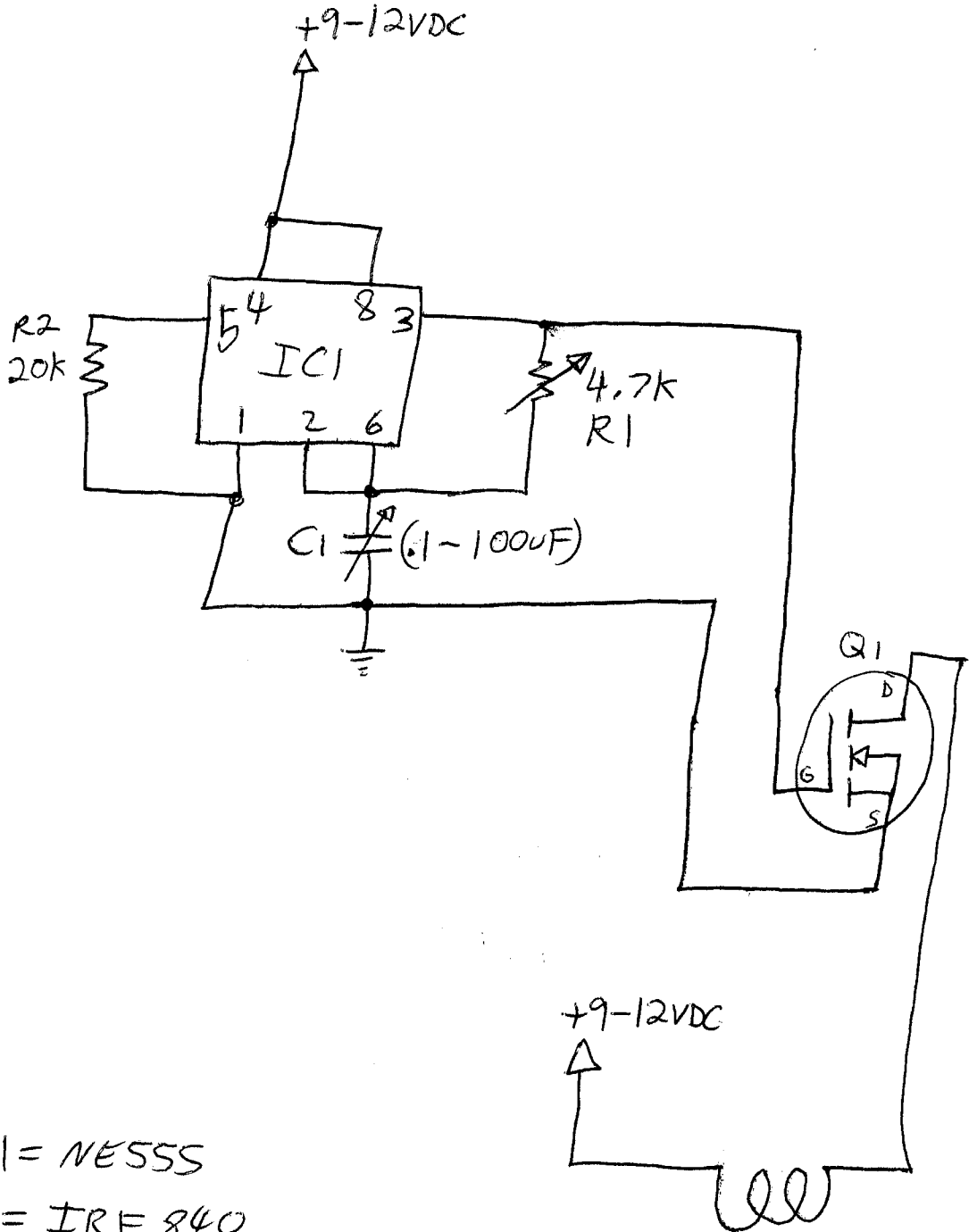


# ELF GEN



IC1 = NE555

Q1 = IRF840

L1 = 20-24ga Coated Wire  
around 3-4" Form.

SPEAKER = 4ohm speaker.

