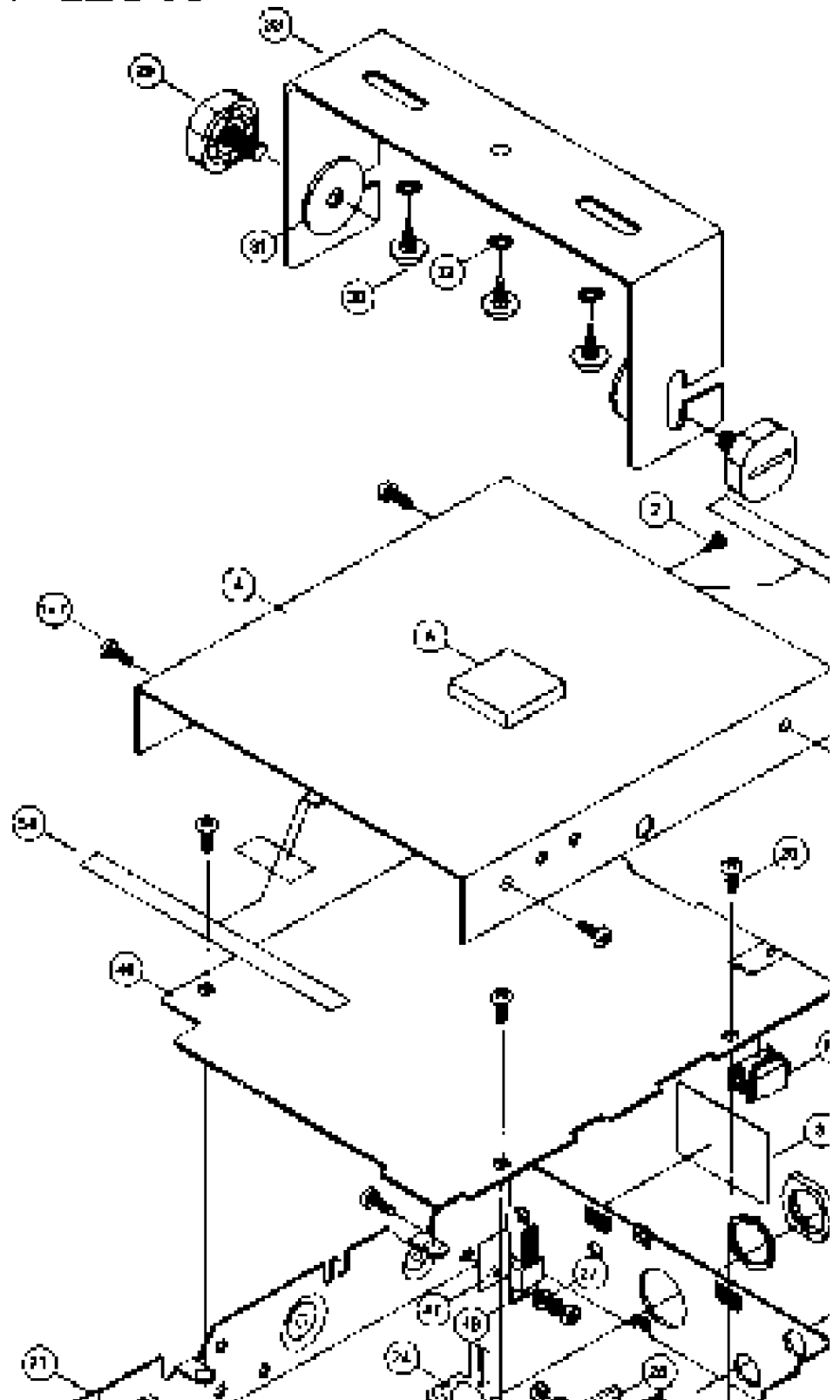


**MODEL TRC-520 MOBILE CB WITH COMPA
DUAL WATCH AND DIGITAL WEATHER AL
EXPLODED VIEW (210-1710)**

SHEET 1

FAXBACK DOC # 12846



**MODEL TRC-520 MOBILE CB WITH COMPASS,
DUAL WATCH AND DIGITAL WEATHER ALERT
EXPLODED VIEW (210-1710)
SHEET 2
FAXBACK DOC # 12846**

