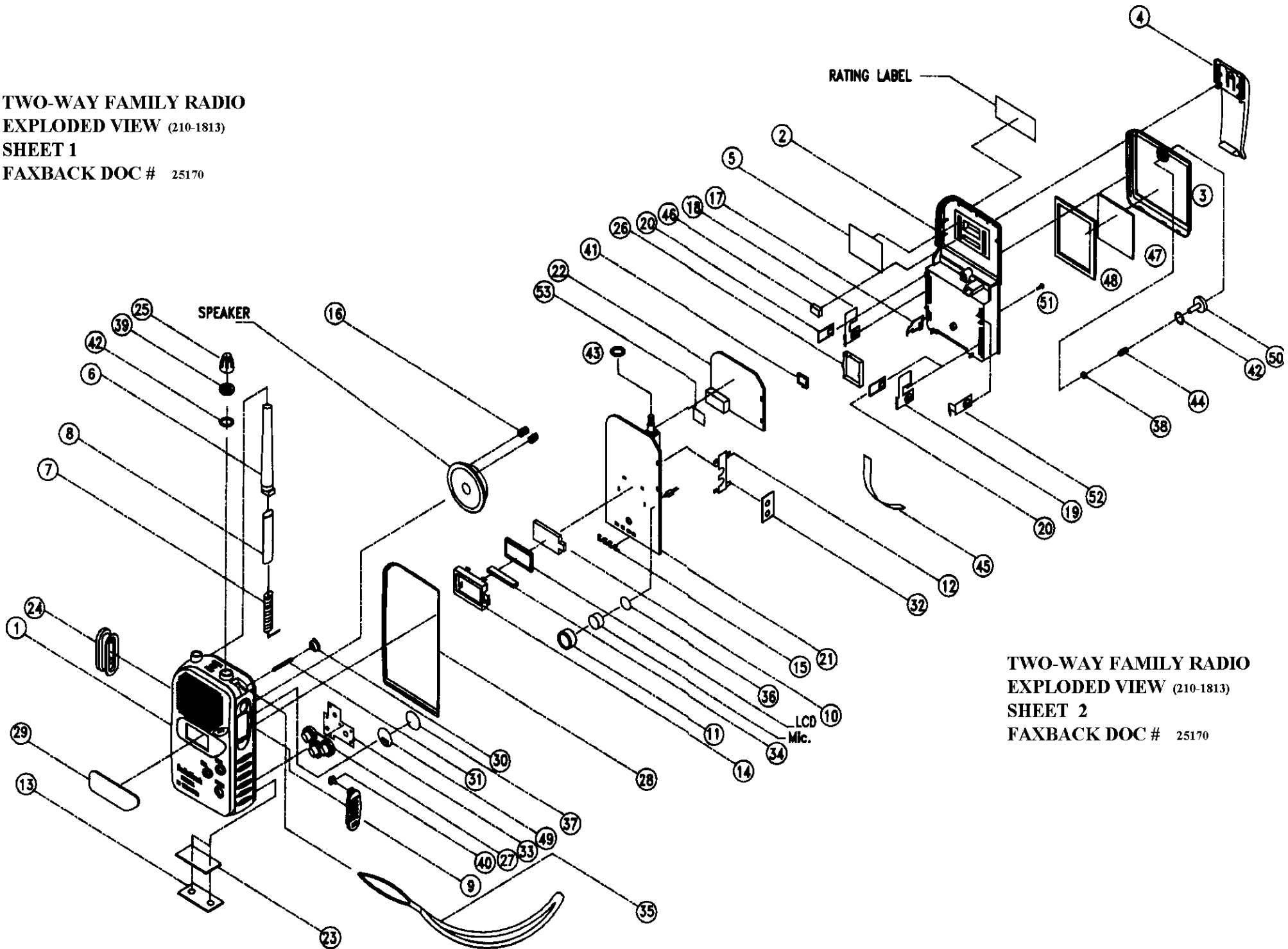


**TWO-WAY FAMILY RADIO
EXPLODED VIEW (210-1813)
SHEET 1
FAXBACK DOC # 25170**



**TWO-WAY FAMILY RADIO
EXPLODED VIEW (210-1813)
SHEET 2
FAXBACK DOC # 25170**