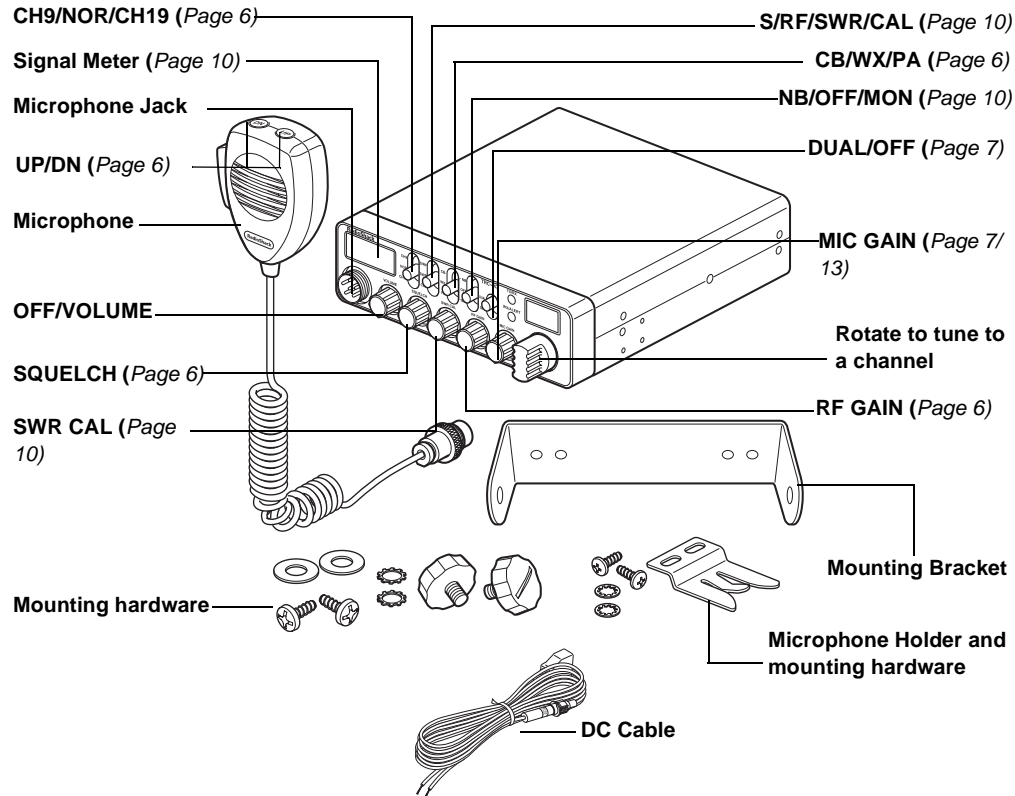




Deluxe Chrome-Faced 40-Channel Mobile CB

with Weather Alert
21-1576

OWNER'S MANUAL —
Please read before using this equipment.



Thank you for purchasing the RadioShack 40-Channel Mobile CB with Weather Alert. It provides for communication on the citizen's radio band, lets you tune to local and national weather service broadcasts, and lets you connect an optional PA speaker to use the public address function. You can monitor the sound of CB or weather alert over a PA system while in PA monitor mode. It has the maximum legal power output for the greatest available range, and a built-in PLL (phase-locked loop) frequency synthesizer provides consistent, exact tuning.

CB radio provides hours of fun and entertainment! Listen and talk to people from all over the country while traveling, and make new friends along routes that you regularly travel. It is also a great way to keep informed of local emergencies, such as traffic accidents, road blocks, weather alerts and so on.

! IMPORTANT !

If an icon appears at the end of a paragraph, go to the box on that page with the corresponding icon for pertinent information.

— Warning
 — Caution
 — Note

© 2004 RadioShack Corporation.
All Rights Reserved.
RadioShack and RadioShack.com
are trademarks used by
RadioShack Corporation.

CONTENTS

Before Using Your Radio	2
Mount the Microphone Holder	2
Mount the CB	2
Connect the Microphone	3
Install an Antenna	3
Connect to Vehicle	
Battery Power	4
Setup as a Base Station	5
Connect Speakers	6
Using Your CB Radio	6
Receiving	6
Transmitting	7
Common 10-Codes	8
CB Operation Tips	9
Maximum Range	9
Reducing Noise	10
Standing Wave Ratio (SWR) ..	10
Listening to the Weather Band ..	12
Digital Weather Alert	12
Using Public Address Mode	13
Using the PA Monitor	
Function	13
Replacing the Fuse	14
Troubleshooting	15
FCC Information	15
Specifications	16

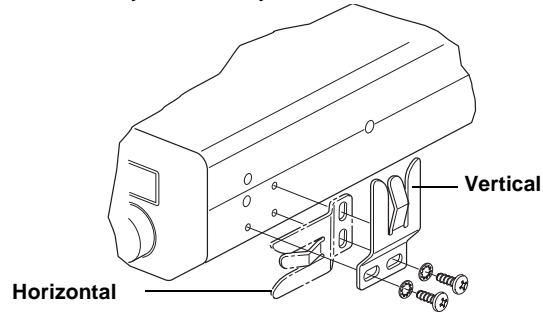
⚠ WARNING ⚠

Mount the CB securely to avoid damage to the CB or vehicle, and to avoid injury to anyone in the vehicle during sudden starts or stops.

BEFORE USING YOUR RADIO

MOUNT THE MICROPHONE HOLDER

You can attach the microphone holder to either side of the CB, horizontally or vertically as shown.



To attach the microphone holder somewhere else, follow these steps.

1. Use the microphone holder as a template to mark the positions for the screws at the desired location.
2. At the marked positions, drill a hole slightly smaller than the mounting screws. Do not drill into anything behind the mounting surface.
3. Attach the microphone holder using the supplied machine screws and lockwashers.

MOUNT THE CB

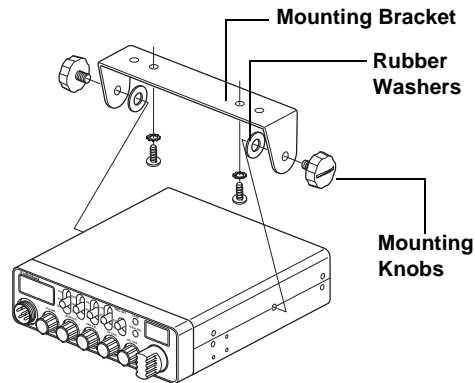
Find a convenient location in your vehicle to mount your CB. If you are uncomfortable mounting the CB yourself, we suggest you consult with your vehicle service center or automotive dealer for assistance. ⚠

Select a mounting location where:

- you can easily reach the CB.
- wires and cables are clear of the vehicle's pedals or other moving parts.
- the CB is not directly in front of heating vents.
- all wires and cables can reach their connection points.

1. Use the mounting bracket as a template to mark the positions for the screws on the mounting surface.

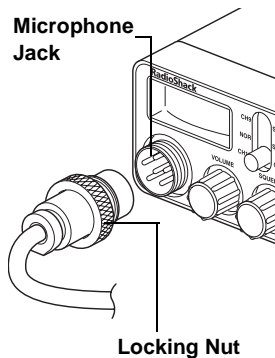
- At the marked positions, drill a hole slightly smaller than the mounting screws. Do not drill into objects behind the mounting surface.
- Secure the mounting bracket to the mounting surface with the supplied screws and lockwashers.



- Attach the CB to the mounting bracket with the supplied rubber washers and mounting knobs.

CONNECT THE MICROPHONE

- Align the holes inside the microphone's plug with the pins in the microphone jack and insert the plug.
- Turn the plug's locking nut clockwise to secure it.
- Slide the microphone onto the holder.
- To disconnect the microphone, unscrew the locking nut and pull the microphone plug toward you. Do not pull the microphone cable.



INSTALL AN ANTENNA

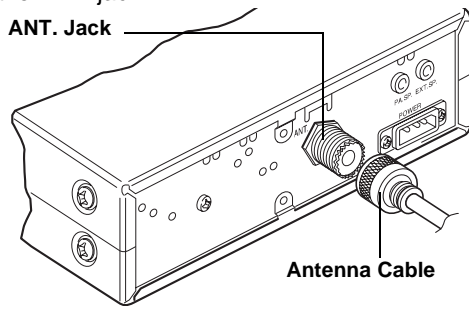
There are many different types of antennas for mobile CBs. Dual band antennas provide optimum reception of CB and WX channels. Your local RadioShack sells a wide variety of antennas. When choosing an antenna, keep in mind that for the best performance you should mount the antenna: ⚠

- as high as possible.

⚠ CAUTION ⚠

- To prevent damage to your CB, do not attempt to transmit without an antenna attached.
- Do not run the cable over sharp edges or moving parts that might damage it.
- Do not run the cable next to power cables or other CB antenna cables.
- Do not run the cable through a vehicle's engine compartment or other areas that produce extreme heat.

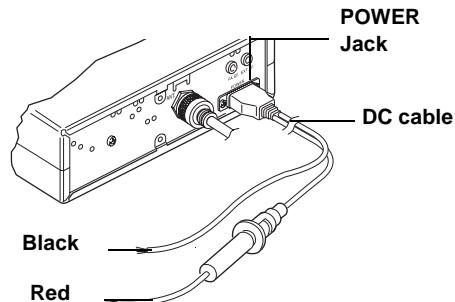
- as far as possible from sources of electrical noise.
 - vertically.
1. Follow the antenna's mounting instructions.
 2. Route the antenna cable to the CB radio and connect it to the **ANT.** jack.



CONNECT TO VEHICLE BATTERY POWER

You can power your CB from your vehicle's battery or from a standard AC outlet with an optional DC power supply. For instructions on using AC power, see "Setup as a Base Station" on Page 5.

1. Connect the supplied DC cable to the radio's **POWER** jack.

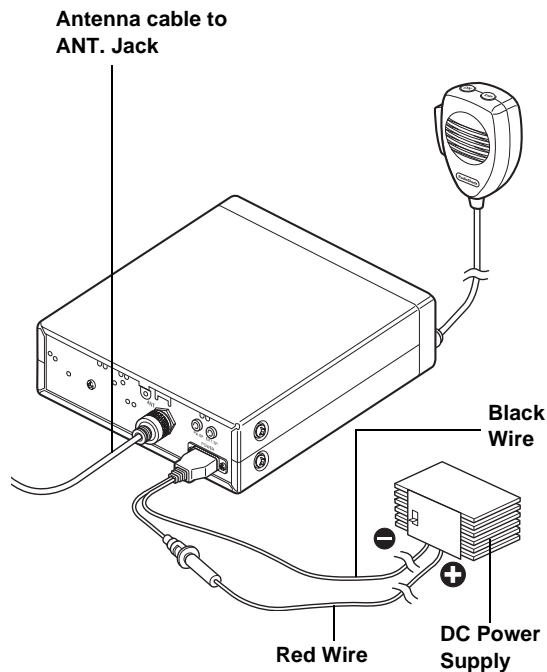


2. Connect the cable's black wire to your vehicle's negative battery terminal (-), or to a metal part of the vehicle's frame that is not insulated by a plastic part.
3. Connect the cable's red wire (with in-line fuse) to a voltage source that turns on and off with your vehicle's ignition switch, such as a spare accessory terminal in your vehicle's fuse box. This assures you that the CB is turned off when you turn off the ignition.

SETUP AS A BASE STATION

This CB can be used as a base station with a DC power source. Your local RadioShack store carries a wide selection of base station antennas, coaxial antenna cable, connectors, and base station power supplies. For base station installation, you need the following items:

- a 12-volt DC power supply.
 - base station antenna.
 - coaxial antenna cable and connectors.
1. Mount the base station antenna as described in its owner's manual. ⚠
 2. Connect the cable from your antenna to the **ANT.** jack on the back of the CB.
 3. Connect the supplied cable's black wire to the DC power supply's negative (-) terminal.



4. Connect the cable's red wire to the DC power supply's positive (+) terminal.
5. Plug the DC power supply into a standard AC outlet.

⚠ CAUTION ⚠

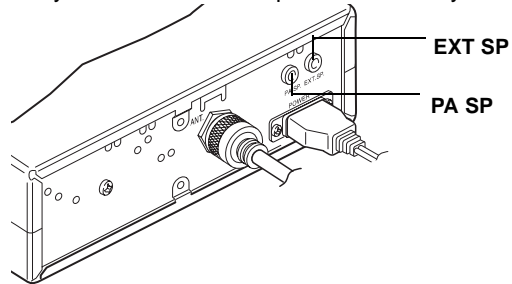
Most 12-volt DC power supplies plug into a standard AC outlet to produce DC power. Before connecting your CB to a 12-volt DC power supply, read and follow the instructions included with the power supply.

⚠ WARNING ⚠

Use extreme caution when you install or remove a base station CB antenna. If the antenna starts to fall, let it go! It could contact overhead power lines. If the antenna touches the power line, your contact with the antenna, mast, cable, or guy wires can cause electrocution and death. Call the power company to remove the antenna. **DO NOT** attempt to do so yourself.

CONNECT SPEAKERS

You can connect an external CB speaker or PA speaker to your CB. A CB speaker provides greater clarity. A PA speaker lets you use the CB as a public-address system.



External Speaker

To connect an external CB speaker, use a speaker rated at 8-ohms and capable of handling 5 or more watts of power. Plug the speaker cable's 1/8-inch plug into the **EXT SP** jack. Connecting the external speaker automatically disconnects the internal speaker.

Public Address Speaker

To connect a PA speaker, use an 8-ohm speaker capable of handling 5 or more watts of power and equipped with a 1/8-inch connector. Plug the PA speaker cable into the **PA SP** jack. See "Using Public Address Mode" on Page 13 for operating instructions.

USING YOUR CB RADIO

Try to receive transmissions before transmitting.

RECEIVING

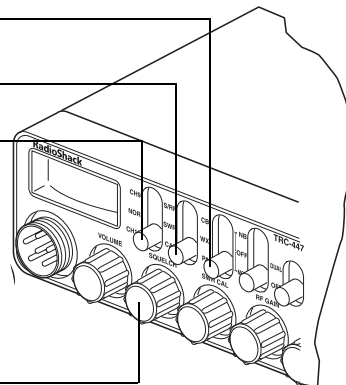
Adjust your CB settings as shown.

Set to **CB**.

Set to **S/RF**.

Set to **NOR**.

Rotate **SQUELCH** fully counterclockwise.



1. Rotate **OFF/VOLUME** clockwise to turn on the CB.
2. To decrease CB sensitivity, slowly rotate **SQUELCH** clockwise until the hissing sound stops. To increase sensitivity, rotate **SQUELCH** counterclockwise. ✓
3. Adjust **VOLUME** to a comfortable listening level.
4. To tune to a channel, rotate the knob on the front of the radio, or press **UP/DN** on the microphone. ✓
5. If necessary, rotate **RF GAIN** clockwise to boost signal strength.
6. When you are finished, turn off the CB.

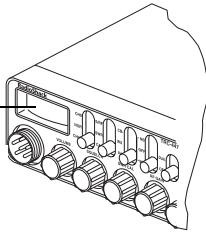
TRANSMITTING

Before transmitting, adjust **CB**, **S/RF**, **NOR**, and **SQUELCH** to match the illustration under "Receiving".

1. Follow steps 1-3 in "Receiving". ✓
2. Hold down **PTT** and speak into the microphone.



While transmitting, your transmission strength is shown on the signal meter.



3. Rotate **MIC GAIN** clockwise or counterclockwise to adjust the mic gain.
4. When you are finished speaking, release **PTT**. The CB can receive transmissions on the selected channel.
5. When you are finished, turn off the CB.

NOTE

- If the CB picks up partial or very weak transmissions, continue to turn **SQUELCH** clockwise to decrease the CB's sensitivity to these signals. Turn **SQUELCH** counterclockwise if you want to listen to a weak or distant station.
- Selecting either Channel 9 or 19 overrides the manual channel selection control.
- All channels, with the exception of Channels 9 and 19, are available for general communications. Channels 9 and 19 are reserved for motorist assistance and for reporting emergency situations, hazardous road conditions, and the like. To quickly tune to Channel 9 or 19, set **CH9/NOR/CH19** to **CH9** or **CH19**.
- Do not speak too loudly when transmitting. It does not make your signal any stronger, and might distort your transmission.
- If you want to monitor Channel 9 during CB operation, set **DUAL/OFF** to **DUAL**.
- If you hear a low-level popping-type noise, set **NB/OFF/MON** to **NB** to turn on the noise blanking circuit. This helps minimize background noise.

COMMON 10-CODES

Citizen's band operators have largely adopted the following 10-codes for standard questions and answers. These codes permit faster and more precise communication in noisy areas. This table lists codes adopted by the Associated Public-Safety Communications Officers (APCO).

Code	Meaning
10-1	Your signal is bad.
10-2	Your signal is good.
10-3	Stop transmitting.
10-4	Message received and understood.
10-5	Relay information to _____.
10-6	I am busy or are you busy?
10-7	Out of service.
10-8	In service.
10-9	Repeat last message.
10-10	Negative (NO).
10-11	_____ in service.
10-12	Stand by.
10-13	Report road/weather conditions.
10-14	Information.
10-15	Message delivered.
10-16	Reply to message.
10-17	En route.
10-18	Urgent
10-19	Contact _____
10-20	What's your location?
10-21	Call _____ by telephone.
10-22	Cancel last message.
10-23	Arrived at the scene.
10-24	Assignment complete.
10-25	Meet _____.
10-26	Estimated time of arrival is ____
10-30	Use caution.
10-31	Pick up.
10-33	Emergency traffic. Clear the channel
10-34	What time is it?
10-41	Switch to Channel -
10-62	Cannot understand.

CB OPERATION TIPS

Business

- Truck drivers and delivery personnel can learn road and traffic conditions and get assistance in locating destinations. A CB is also good company on long road trips.
- On construction crews, a CB quickly pays for itself when you are calling for additional materials or coordinating the activities of different work crews.
- For security officers, a CB is more than a convenience — it is a must for both safety and efficiency.

Personal

- If you are a two-car (or more) family, CBs are great for communicating with family members while they are in their cars.
- Contact friends or neighbors. Find out “what’s happening” or plan a get-together.
- Ever have car trouble or run out of gas on the highway? What an assurance it is to be able to call for assistance!
- Camping, fishing, and other sports are more fun with a CB. Locate a buddy or find out “what’s cooking” back at camp.

Transmission Courtesy

- Wait for a pause in someone else’s transmission before you ask for a break.
- If you do not receive an answer to your call after a second attempt, sign off and wait several minutes before trying again.
- Do not hold down PTT when you are not talking. (This is called dead keying.)
- Assist callers with directions, information about road conditions, and any other reasonable request.

MAXIMUM RANGE

The maximum range and quality of CB transmissions vary depending on the following typical conditions:

- The type and quality of antenna used.
- The height of the antenna’s mounting location - the higher the antenna, the greater the signal’s range.
- The surrounding terrain - mountains and tall buildings. limit the range.
- Weather conditions.

- The number of nearby CBs operating on the same channel.
- standing wave ratio (SWR) between the antenna and the CB.

REDUCING NOISE

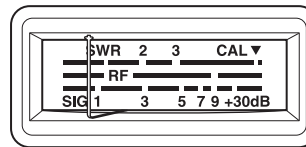
Because your CB is exceptionally quiet, any noise you hear is probably from an external source in your vehicle, such as the alternator, another radio, or spark plugs. Your CB has a noise blanking (NB) circuit to keep background noise to a minimum. However, strong sources of electrical noise, generated by spark plugs or the ignition of your car, or another radio, might be more than the circuit can compensate for. If you suspect engine noise as a source, turn off the engine and operate the CB with the ignition set to ACC. If most or all of the noise stops, the problem is in the vehicle's ignition or electrical system.

These hints may help reduce or eliminate such noise.

- Replace old ignition wires with new, high-voltage, noise-suppression wires.
- Install noise suppressors on your spark plugs, or install new spark plugs that have built-in suppressors.
- Be sure that the black wire ground connection is securely attached to your vehicle's battery's negative (GND) terminal or to a good electrical chassis ground.
- If problems persist, check your alternator or generator, voltage regulator, and any stand-alone gauges. Noise from these sources can be reduced or eliminated using bypass capacitors at various output voltage points.

STANDING WAVE RATIO (SWR)

Most antennas are factory adjusted. However, you can usually improve antenna performance by matching its characteristics to the CB's RF output power. The built-in SWR meter enables you to do this. The impedance of a CB's output compared to the impedance of the antenna is usually slightly mismatched. By adjusting this impedance ratio to be as close to 1:1 as possible, you maximize the efficiency of your system.



The SWR value takes into account the actual frequency of the RF signal transmitted. Therefore, you will get a different SWR reading from one CB channel to another. Almost all CB transmissions fall within an acceptable range. However, for optimum radio performance, we recommend that you fine tune the antenna's system based on the channel you use most. If you have no channel preference, set your antenna's SWR for maximum performance on Channel 19.

After installing the antenna, follow these steps to adjust the standing wave ratio.

1. Turn on the CB.
2. Set **S/RF/SWR/CAL** to **CAL**.
3. Hold down **PTT** and rotate **SWR CAL** so the meter points to **CAL▼**.
4. Release **PTT**.
5. Set **S/RF/SWR/CAL** to **SWR**.
6. Press **PTT** again and note the actual measurement on the SWR scale. Refer to the following table to interpret the reading.↵

Ratio	Rating	Evaluation
1:1 - 1.5:1	Superior	Perfect match between the antenna/cable and the RF output of the CB.
1.5:1 - 2:1	Excellent	The antenna/cable system is an outstanding match to the transmitter's RF output. Ideal for most CB installations.
2:1 - 3:1	Good	The antenna/cable system will perform to specification under most normal conditions.
Higher than 3.1:1	Inefficient	Indicates a need to inspect the system, the mounting of the antenna and all pertinent hardware.

The ideal standing wave ratio (SWR) is 1:1, or a meter reading of 1 on the SWR meter's top scale. This reading can only be obtained under laboratory conditions. A SWR ratio of 1.5:1 to 2:1 is excellent for most mobile CB antenna applications.

NOTE

Prolonged exposure to salt spray, humidity, weather-induced corrosion, or vehicle vibration can cause antenna performance to degrade with a subsequent rise in the SWR. Anytime you notice that the SWR reading is greater than 3:1, check the condition of the antenna, the antenna cable, and all antenna connectors and hardware.

LISTENING TO THE WEATHER BAND

Your CB comes preprogrammed with seven weather channels that are allocated by the Federal Communications Commission (FCC) for use by the National Oceanographic and Atmospheric Administration (NOAA). NOAA broadcasts your local forecast and regional weather information on one or more of these channels in your area:

Frequency (MHz)	Channel
162.400	WX1
162.425	WX2
162.450	WX3
162.475	WX4
162.500	WX5
162.525	WX6
162.550	WX7

To listen to a weather station, slide **CB/WX/PA** to **WX** and select one of the above channels.

When the CB radio is set to **CB**, **WX** or **PA (MON)**, and you enter a NOAA broadcast area, **WX/ALERT** indicates three possible situations:

OFF — No weather signal detected. Check another channel.

RED — Normal weather signal. No emergency broadcast.

Flashing RED — Weather alert broadcast on the selected channel. Turn to **WX** to listen, or press **PTT** or **UP/DN** to clear the alert.

To verify reception, your radio must receive a test or emergency alert broadcast. The National Weather Service broadcasts a test alert every week. To find the specific test schedule in your area, contact your local NOAA or National Weather Service office.

DIGITAL WEATHER ALERT

When in CB mode, the radio automatically sounds an alert if a weather alert signal is detected. This is especially useful when your area is expecting severe weather conditions.

When your local weather station broadcasts a severe weather alert, the CB sounds a tone corresponding to the alert type and **WX/ALERT** flashes. ☒

Alert Type	You Hear
Warning or Emergency	Continuous short beeps
Watch	Three short beeps and a 2 second pause (repeats)
Advisory	Two short beeps and a 2 second pause (repeats)
Test	One short beep and a 3 second pause (repeats)
EAT (Emergency Action Termination)	One short beep and a 3 second pause (repeats) ☒

*To silence the alert tones, press **PTT** or **UP/DN**. **WX/ALERT** stops flashing. If the radio receives a new digital weather alert, the radio sounds that alert and **WX/ALERT** flashes according to the emergency level encoded in the signal.*

*To hear the weather alert broadcast when it is received, set **CB/WX/PA** to **WX**.*

USING PUBLIC ADDRESS MODE

You can connect a PA speaker so that you can use the public address function. You can also hear the sound of CB or weather alert through the PA speaker by turning on the PA monitor function. See "Connect Speakers" on Page 6.

1. Adjust **OFF/VOLUME** to the minimum listening level.
2. Set **CB/WX/PA** to **PA**. **PA** appears on the display. The signal meter and **TX/RX** turn off.
3. Set **NB/OFF/MON** to **OFF**.
4. Hold down **PTT** and speak into the microphone. Be sure the microphone is as far from the PA speaker as possible to reduce audio feedback or "howling".
5. Adjust **MIC GAIN** as needed to set the PA's volume.

USING THE PA MONITOR FUNCTION

1. Adjust **OFF/VOLUME** to the minimum listening level. ☒
2. Set **CB/WX/PA** to **PA**. **PA** appears on the display. The signal meter and **TX/RX** turn off.

☒ NOTE ☒

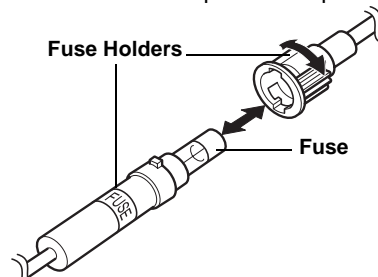
- Because of atmospheric conditions, sometimes the signal your radio received might not contain information relevant to the emergency level of the alert.
- The radio sounds an alert regardless of the channel setting in CB mode.
- The CB does not sound alerts while you transmit.
- If you are in a rural or fringe area, your radio might be triggered by an alert broadcast in one area, but not be triggered if you travel to another area (even close by).
- The CB radio receives the digital weather alert codes and sounds alert tones in PA CB monitor mode.

3. Set **NB/OFF/MON** to **MON**. This indicates you are monitoring a CB channel over a PA system.
4. Rotate the knob on the front of the radio or press **UP/DN** on the microphone to change the channel.

REPLACING THE FUSE

The CB's in-line fuse protects it from power surges and short circuits. When replacement is required, use a 2-amp, fast-acting glass fuse, available at your local RadioShack.

1. Make sure your vehicle and CB are turned off.
2. Push the fuse holder ends together. Then, turn either end counterclockwise and pull them apart.



3. Remove the old fuse and insert a new fuse of the same type and rating.
4. Push the fuse holder ends together and twist one end clockwise.

TROUBLESHOOTING

If your CB is not working as it should, follow the suggestions below to see if you can eliminate the problem. If the problem persists, take your CB to a RadioShack store for assistance.

Symptom	Possible Causes
Trouble receiving.	<p>Make sure the CB is turned on. Make sure SQUELCH is adjusted properly. Be sure RF GAIN is fully clockwise. Make sure the CB is set to an operating channel. Make sure the microphone is securely connected. Check for a good antenna connection.</p>
Trouble transmitting.	<p>Make sure the antenna cable is securely connected to the radio. Make sure the antenna is fully extended. Make sure all connections are secure and free of corrosion. Make sure CB/WX/PA is set to CB.</p>
No channel selection, or only Channel 9 or 19 can be selected.	<p>Make sure CB/WX/PA is set to CB. Set CH9/NOR/CH19 to NOR.</p>
The CB is completely inoperable.	<p>Check the DC cord and in-line fuse. Replace the fuse. See "Replacing the Fuse" on Page 14.</p>

FCC INFORMATION

The Federal Communications Commission (FCC) does not require you to have a license to operate this CB. However, the FCC does require that you read and know Part 95 of FCC Rules. These rules apply to the operation of a Class D CB. ⚠

Your CB might cause TV or radio interference even when it is operating properly. To determine whether your CB is causing the interference, turn off your CB. If the interference goes away, your CB is causing it. Try to eliminate the interference by:

- moving your CB away from the receiver
- connecting your CB to an outlet that is on a different electrical circuit from the receiver
- contacting your local RadioShack store for help
- If you cannot eliminate the interference, the FCC requires that you stop using your CB.

This device complies with Part 15 of the FCC Rules. Operation is subject to the following two conditions: (1) this device may not cause harmful interference, and (2) this device must accept any interference received, including interference that may cause undesired operation.



Care

Keep your CB dry; if it gets wet, wipe it dry immediately. Use and store the CB only in room temperature environments. If used in a boat, select a location for the CB so that it is unlikely to get wet. Handle the CB carefully; do not drop it. Keep the CB away from dust and dirt, and wipe it with a damp cloth occasionally to keep it looking new.

Service and Repair

If your CB is not performing as it should, take it to a RadioShack store for assistance. To locate your nearest RadioShack, use the store locator feature on RadioShack's website (www.radioshack.com), or call 1-800-The Shack (843-7422) and follow the menu options. Modifying or tampering with your CB's internal components can cause a malfunction and might invalidate its warranty and void your FCC authorization to operate it.



Do not open your CB to make any internal adjustments. Any internal adjustments can be made only by an authorized service technician.

Unauthorized internal adjustments and/or modifications can lead to illegal operation as defined by Part 95 of FCC Rules.

SPECIFICATIONS

GENERAL

Channels 40 Channels
Frequency Range 26.965 MHz to 27.405 MHz
Power Requirements 13.8V DC, (12-16 Volts DC, Negative Ground)
Dimensions (HWD) 2¹/₄ x 7¹/₄ x 8⁷/₈ Inches, (57 x 185 x 225 mm)
Weight 3.1 lbs (1.4 kg)

RECEIVER

Sensitivity 1 μ V or better for 10 dB (S+N)/N
Adjacent Channel Rejection 50 dB (at 10 kHz)
Audio Output 4.5 Watts (Maximum)
Frequency Response 450-2500 Hz
Intermediate Frequency 1st IF: 10.695 MHz, 2nd IF: 455 KHz
Cross Modulation 35 dB
Squelch Adjustable from 0.5 μ V to 1 mV

TRANSMITTER

Output Power 4 Watts (FCC Maximum)
Type of Modulation AM Double-Sideband, Full Carrier Modulation
Modulation Capability \pm 90%
Spurious Emission Less than -70 dB
Frequency Tolerance \pm 200 Hz
Antenna Impedance 50 Ohm
Current Drain (13.8-volt supply) 1 Amp with No Modulation, 1.6 Amps with 80% Modulation

PUBLIC ADDRESS

Output Power 4.5 Watts (Maximum)
Current Drain (at maximum power) 1.2 Amps

WEATHER RADIO

Frequency Coverage (MHz) 162.400 through 162.550 (7 channels)

Limited Ninety-Day Warranty

This product is warranted by RadioShack against manufacturing defects in material and workmanship under normal use for ninety (90) days from the date of purchase from RadioShack company-owned stores and authorized RadioShack franchisees and dealers. EXCEPT AS PROVIDED HEREIN, RadioShack MAKES NO EXPRESS WARRANTIES AND ANY IMPLIED WARRANTIES, INCLUDING THOSE OF MERCHANTABILITY AND FITNESS FOR A PARTICULAR PURPOSE, ARE LIMITED IN DURATION TO THE DURATION OF THE WRITTEN LIMITED WARRANTIES CONTAINED HEREIN. EXCEPT AS PROVIDED HEREIN, RadioShack SHALL HAVE NO LIABILITY OR RESPONSIBILITY TO CUSTOMER OR ANY OTHER PERSON OR ENTITY WITH RESPECT TO ANY LIABILITY, LOSS OR DAMAGE CAUSED DIRECTLY OR INDIRECTLY BY USE OR PERFORMANCE OF THE PRODUCT OR ARISING OUT OF ANY BREACH OF THIS WARRANTY, INCLUDING, BUT NOT LIMITED TO, ANY DAMAGES RESULTING FROM INCONVENIENCE, LOSS OF TIME, DATA, PROPERTY, REVENUE, OR PROFIT OR ANY INDIRECT, SPECIAL, INCIDENTAL, OR CONSEQUENTIAL DAMAGES, EVEN IF RadioShack HAS BEEN ADVISED OF THE POSSIBILITY OF SUCH DAMAGES.

Some states do not allow limitations on how long an implied warranty lasts or the exclusion or limitation of incidental or consequential damages, so the above limitations or exclusions may not apply to you.

In the event of a product defect during the warranty period, take the product and the RadioShack sales receipt as proof of purchase date to any RadioShack store. RadioShack will, at its option, unless otherwise provided by law: (a) correct the defect by product repair without charge for parts and labor; (b) replace the product with one of the same or similar design; or (c) refund the purchase price. All replaced parts and products, and products on which a refund is made, become the property of RadioShack. New or reconditioned parts and products may be used in the performance of warranty service. Repaired or replaced parts and products are warranted for the remainder of the original warranty period. You will be charged for repair or replacement of the product made after the expiration of the warranty period.

This warranty does not cover: (a) damage or failure caused by or attributable to acts of God, abuse, accident, misuse, improper or abnormal usage, failure to follow instructions, improper installation or maintenance, alteration, lightning or other incidence of excess voltage or current; (b) any repairs other than those provided by a RadioShack Authorized Service Facility; (c) consumables such as fuses or batteries; (d) cosmetic damage; (e) transportation, shipping or insurance costs; or (f) costs of product removal, installation, set-up service adjustment or reinstallation.

This warranty gives you specific legal rights, and you may also have other rights which vary from state to state.

RadioShack Customer Relations, 200 Taylor Street, 6th Floor, Fort Worth, TX 76102

12/99