

RadioShack

Deluxe Chrome-Faced 40-Channel Mobile CB with Weather Alert

21-1576

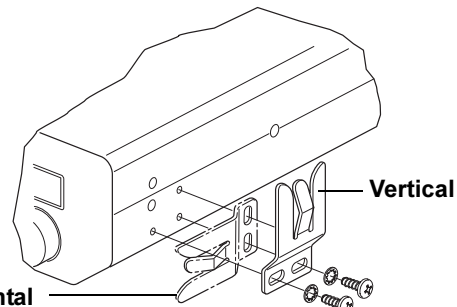
Quick Start Guide

for installing, setting up and using your new product

Step One

Attach the Microphone Holder

You can attach the microphone holder horizontally or vertically to either side of the CB.



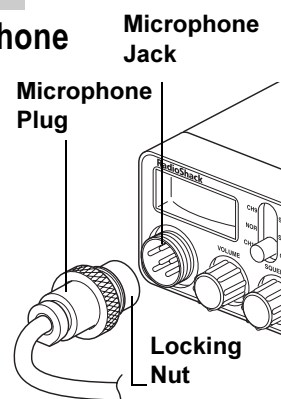
To attach the microphone holder somewhere else, follow these steps.

1. Use the microphone holder as a template to mark the positions for the mounting screws at the desired mounting location.
2. Drill a hole at the marked position. Do not drill into anything behind the mounting surface.
3. Attach the microphone holder to the mounting surface using the supplied (small) machine screws and lockwashers.

Step Two

Connect the Microphone

1. Align the holes inside the microphone's plug with the pins in the microphone jack and insert the plug.
2. Turn the microphone plug's locking nut clockwise to secure it.
3. Slide the microphone into the holder.
4. To disconnect the microphone, unscrew the locking nut and pull the microphone plug toward you. Do not pull the microphone cable.



CH9/NOR/CH19 — Slide to **CH9** or **CH19** to quickly tune to either emergency broadcast station when in CB mode. Slide to **NOR** to use normal (manual) tuning. **See Page 6.**

OFF/VOLUME — Rotate towards **VOLUME** to turn on your CB, and then adjust the listening level. Rotate towards **OFF** to turn off your CB.

Signal Meter — Shows signal strength and standing wave ratio measurements. **See Page 7.**

PTT — Push to talk. Hold down and talk into the microphone while transmitting.

Microphone Jack

Step Three

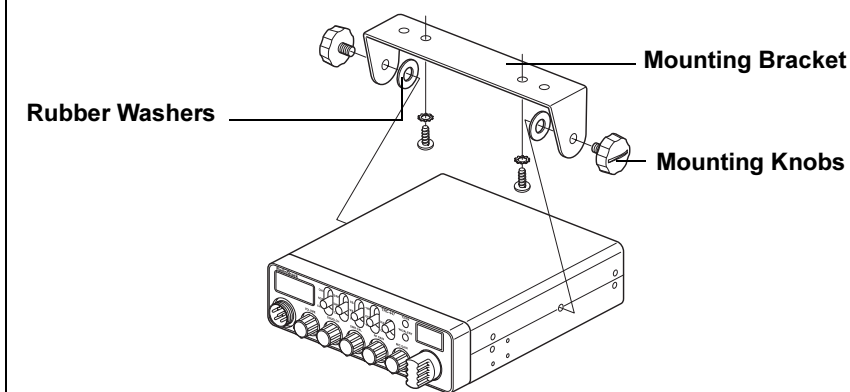
Mount the CB

Find a convenient location in your vehicle to mount your CB. If you are uncomfortable mounting the CB yourself, consult your vehicle service center or automotive dealer for assistance. **⚠**

Select a mounting location where:

- you can easily reach the CB.
- wires and cables are clear of the vehicle's pedals or other moving parts.
- the CB is not directly in front of heating vents.
- all wires and cables can reach their connection points.

1. Use the mounting bracket as a template to mark the positions for the screws on the mounting surface.
2. At the marked positions, drill a hole slightly smaller than the mounting screws. Do not drill into objects behind the mounting surface.
3. Secure the mounting bracket to the mounting surface with the supplied screws and lockwashers.



4. Attach the CB to the mounting bracket with the supplied rubber washers and mounting knobs.



WARNING

Mount the CB securely to avoid damage to the CB or vehicle, and to avoid injury to anyone in the vehicle during sudden starts or stops.

S/R/F/SWR/CAL — Slide to **S/R/F**, **SWR**, or **CAL** to define what information appears on the signal meter. **See Page 6.**

CB/WX/PA — Slide to **CB** to use and listen to citizen's band radio. Slide to **WX** to listen to local and national weather broadcasts. Slide to **PA** to use the public address function. **See Page 7.**

NB/OFF/MON — Slide to **NB (Noise Blanking)** to reduce atmospheric and ignition noise. Slide to **OFF** to deactivate noiseblanking. Slide to **MON** while in PA mode to monitor CB channels or WX alerts. **See Page 10.**

DUAL/OFF — Slide to **DUAL** to monitor Channel 9 while in CB mode. Slide to **OFF** to stop monitoring. **See Page 7.**

MIC GAIN — Rotate to adjust microphone sensitivity. **See Page 7/13.**

Rotate to tune to a channel.

RF GAIN — Rotate to adjust reception to match signal strength. **See Page 6.**

SWR CAL — Rotate and hold down **PTT** to match your antenna system characteristics with RF output power. **See Page 10.**

SQUELCH — Rotate to reduce background noise (CB sensitivity). **See Page 6.**

Microphone with Coiled Cord

Supplied mounting hardware

Mounting Bracket

DC Cable

Microphone Holder

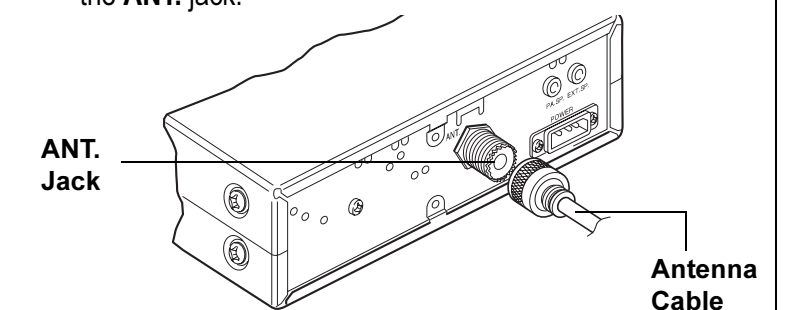
Step Four

Connect an Antenna

There are many different types of antennas for mobile CBs. Each type has its own benefits, so choose the one that best meets your needs. Your local RadioShack sells a wide variety of antennas. When choosing an antenna, keep in mind that for the best performance you should mount the antenna:

- as high as possible in the vehicle.
- as far as possible from sources of electrical noise.
- vertically.

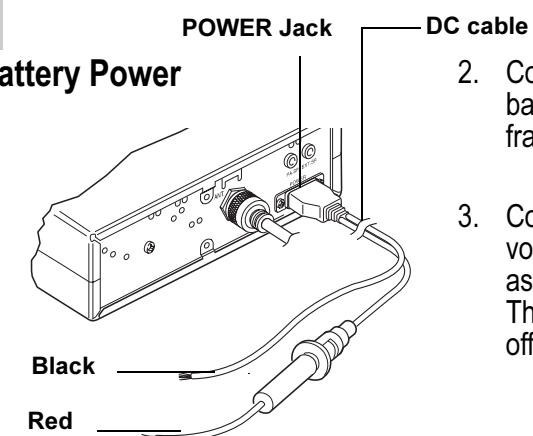
1. Follow the antenna's mounting instructions.
2. Route the antenna cable to the CB radio and connect it to the **ANT.** jack.



Step Five

Connect to Vehicle Battery Power

1. Connect the supplied DC cable to the radio's **POWER** jack as shown.



2. Connect the cable's black wire to your vehicle's negative battery terminal (-), or to a metal part of the vehicle's frame that is not insulated by a plastic part.
3. Connect the red wire (with in-line fuse) to a source of voltage that turns on and off with the ignition switch, such as a spare accessory terminal in your vehicle's fuse box. This assures you that the CB is turned off when you turn off the ignition.

