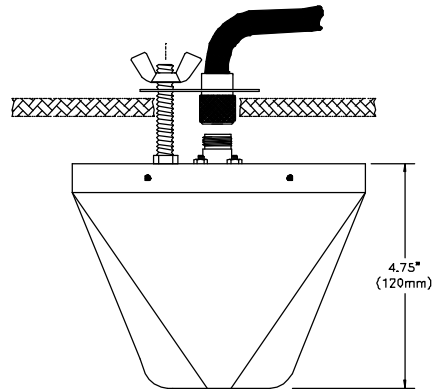
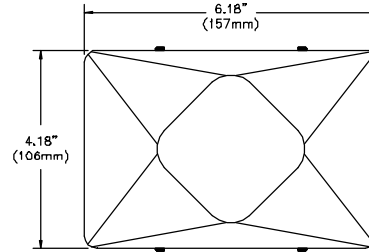


DB786DC5(N/E)-XM

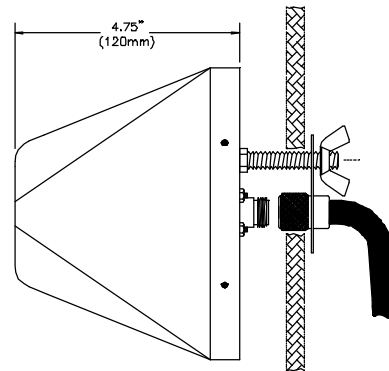
dB Diamond™ Series Indoor Antenna

Broadband 800 - 2200 MHz

Model Number	DB786DC5N-XM
Impedance	50 ohms
Termination	Type N - Female
Frequency Range	800-2200 MHz in a single radome.
Gain	Unity or 2.15 dBi
VSWR	< 1.5: 1 (800-2100 MHz) < 1.7: 1 (2100-2200 MHz)
Beamwidth (3dB from max)	Horizontal: 360° Vertical: 60°
Polarization	Vertical
Max. Input Power	50 Watts
Application	Ceiling mount and MicroFill for Cellular, GSM 900, GSM 1800, PCS, UMTS
Weight	1.5 lb. (3.8 kg)
Material	Back Panel: ABS Radiating Elements: Brass Radome: ABS
Color	Off-W hite
Mounting	Universal one-hole mount.
Packing Size	12" x 12" x 9" (30 x 30 x 23 cm)
Shipping Weight	2 lb. (0.9 kg)

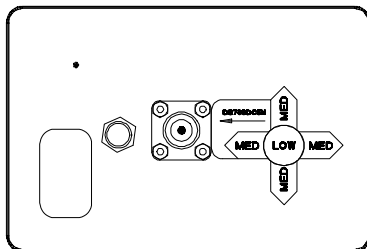
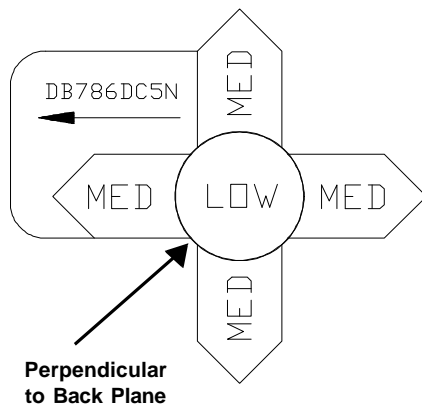


Ceiling Mount



Wall Mount

Relative Antenna Pattern Characteristics



Specifications are for reference only.

099100-002-H 7/00



DECIBEL PRODUCTS
A Division of Allen Telecom Inc.

8635 Stemmons Freeway • P. O. Box 569610 • Dallas, Texas 75356-9610
214 / 631-0310 • Fax: 214 / 631-4706

