

**1D/2D-TYPE
COIN TELEPHONE SETS (DTF ONLY)
IDENTIFICATION**

1. GENERAL

1.01 This section contains information on the 1D/2D-type coin telephone sets (Fig. 1, 2, and 3) and the D-180707 Kit of Parts (Fig. 4).

- The D-180707 Kit of Parts contains a 47A (MD) or 47A2 signal and a 32A chassis
- The kit is designed for field conversion of 1A/2A, 1C/2C, and 1E-type coin telephone sets to a 1D/2D-type.

1.02 This section is reissued to:

- Add 70B dial
- Show 70A dial MD
- Add 47A2 signal
- Show 47A signal MD
- Revise Tables B and D
- Add information on 811057835 cover

- Add information on 840358303 hook
- Add information on Radio Frequency Interference (RFI).

1.03 Codes are described in Table A.

1.04 Overall dimensions of the 1D/2D sets are identical to 1C/2C sets as follows:

(a) 1D-type set:

- Height—21 inches
- Width—7-3/4 inches
- Depth—6-1/4 inches

(b) Overall dimensions of the 2D-type set are shown in Fig. 3.

1.05 Refer to TOP 506-410-402 for installation and maintenance information.

TABLE A

CODE SIGNIFICANCE

CODE	FIG.	HOUSING	MODE OF OPERATION	DIAL TYPE
1D1	1	Box Type	Dial-Tone-First	Rotary
1D2				TOUCH-TONE
2D1	2	Panel Type		Rotary
2D2				TOUCH-TONE

NOTICE

Not for use or disclosure outside the
Bell System except under written agreement

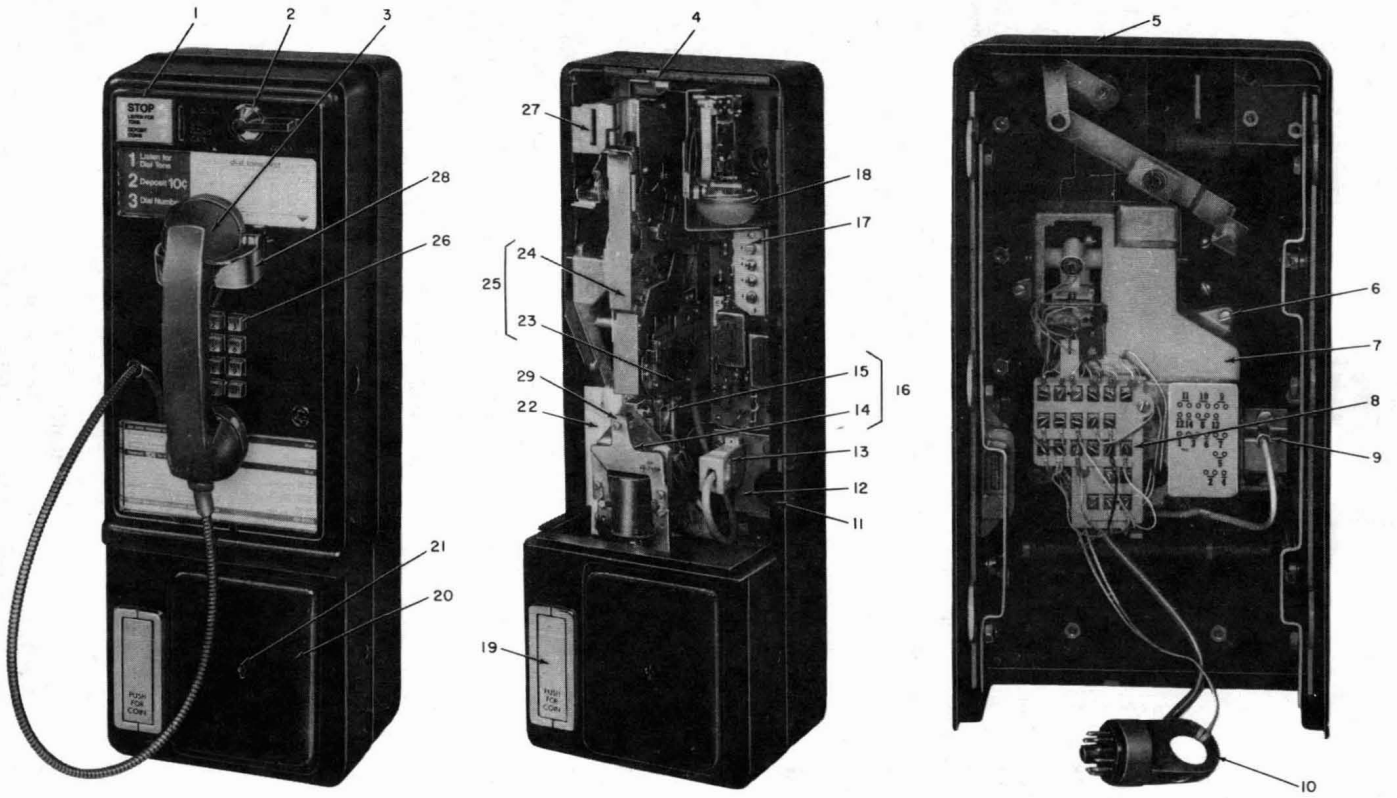


Fig. 1—1D-Type Coin Telephone Set

LEGEND 1D-SET

- 1 - 840156327 Information Plate
- 2 - 840358725 Shaft and Handle Assembly
- 3 - G3AH, G3AHF, G3AK, or G3AKF Handset
- 4 - 812755429 Chute Locking Lever and 812754976 Spring
- 5 - Coin Cover Unit*
- 6 - 840157390 Self-locking Screw
- 7 - Coin Dial Unit*
- 8 - TB2
- 9 - 811554443 Coverplate and 801816786 BHM Screw
- 10 - P1
- 11 - J1
- 12 - 32A Chassis
- 13 - P2
- 14 - 1A Coin Relay
- 15 - 811557172 Coin Hopper Assembly
- 16 - 1AA Coin Relay
- 17 - TB1
- 18 - C4-Type Ringer
- 19 - 812165462 Coin Return Assembly
- 20 - 2-Type Door
- 21 - Slot for 719A Tool
- 22 - 811557304 Return Chute Assembly
- 23 - 47A (MD) or 47A2 Signal
- 24 - 20A Chute
- 25 - 20A47A (MD) or 20A47A2 Chute
- 26 - Dial*
- 27 - 812363612 Entrance Stop
- 28 - 840358303 Hook
- 29 - 811057835 Cover (not shown in Fig. 1)

* Refer to Table B.

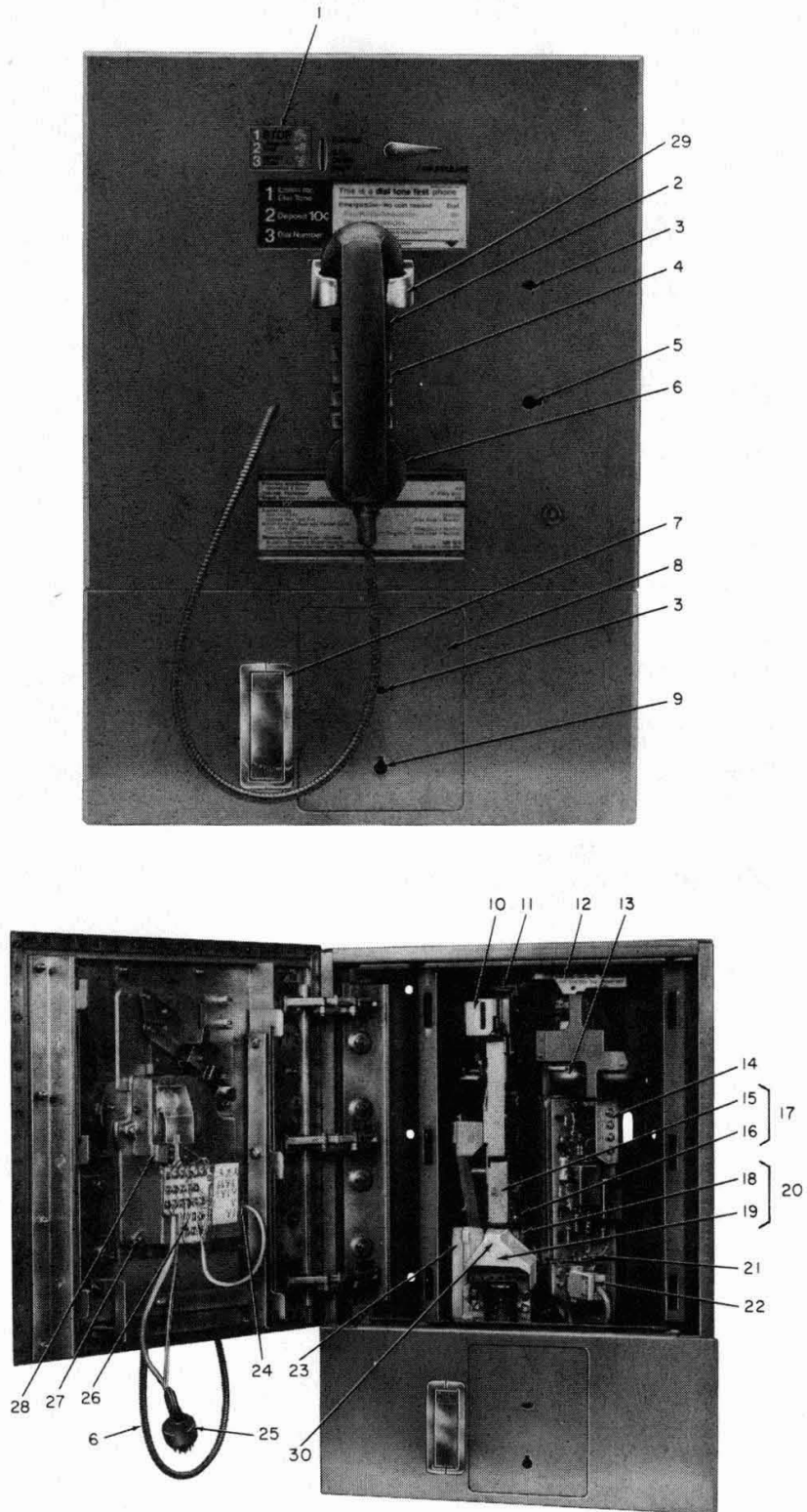


Fig. 2—2D-Type Coin Telephone Set

LEGEND 2D-SET

- 1 - 840156237 Information Plate
- 2 - Number Card
- 3 - Slot for 719A Tool
- 4 - Dial*
- 5 - Slot for 29A Lock
- 6 - G3AH, G3AHF, G3AK, or G3AKF Handset
- 7 - 812165462 Coin Return Assembly
- 8 - 5A Door
- 9 - Slot for 30-Type Lock
- 10 - 812363612 Entrance Stop
- 11 - 812755429 Chute Locking Lever and 812754976 Spring
- 12 - 7A Clip
- 13 - C4-Type Ringer
- 14 - TB1
- 15 - 20A Chute
- 16 - 47A (MD) or 47A2 Signal
- 17 - 20A47A (MD) or 20A47A2 Chute
- 18 - 811557172 Coin Hopper Assembly
- 19 - 1A Coin Relay
- 20 - 1AA Coin Relay
- 21 - 32A Chassis
- 22 - P2
- 23 - 811557304 Return Chute Assembly
- 24 - 811554443 Coverplate and 801816786 BHM Screw
- 25 - P1
- 26 - TB2
- 27 - 840157390 Self-locking Screw
- 28 - Coin Dial Unit*
- 29 - 840358303 Hook
- 30 - 811057835 Cover

* Refer to Table B

SECTION 506-410-401

1.06 The 1D/2D-type sets and the D-180707 Kit of Parts are designed for Bell System Standard, DTF service.

1.07 ♦For problems involving RFI, refer to Section 500-150-100.♦

2. IDENTIFICATION

ORDERING GUIDE

2.01 *Basic Telephone Set:*

- Set, Coin Telephone, 1D1,* 1D2,* 2D1,* or 2D2*

2.02 *Components:* See Table B and Fig. 1 and 2.

2.03 *Associated Apparatus (Order Separately):* See Table C.

2.04 *Kit of Parts:*

- Kit of Parts, D-180707.

DESIGN FEATURES

A. 1D/2D-Type Set

2.05 All parts are contained in a high-security steel housing. The cover unit/door and faceplate assembly has six locking points actuated by a 719A tool and secured by a 29A lock. A 32A lock may be used in 1-type sets.

2.06 The 1-type set cash compartment door has four locking points actuated by a 719A tool. The 2-type set cash compartment door has five locking points; three are actuated by a 719A tool; two are stationary. All cash compartment doors are secured by a 30-type lock.

*See Table B for color selection.

2.07 Provision is made for use of four security studs.

2.08 The set is designed to accept U.S. nickels, dimes, and quarters only.

2.09 All sorting of coins is done internally by the coin chute.

2.10 Sets have transmission characteristics of 500-type telephone sets.

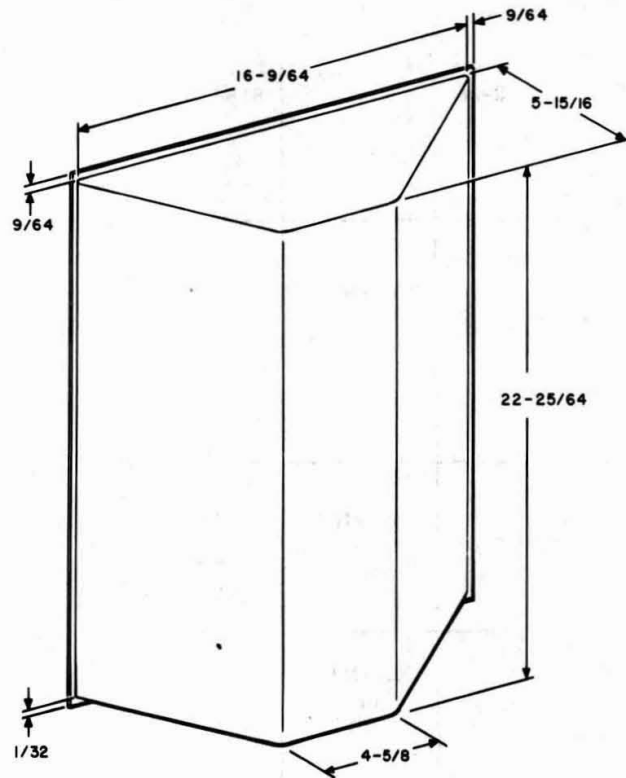
2.11 Electrical connections of the field-replaceable cover unit and signal are made by plug and jack arrangement.

2.12 The 47A ♦(MD) or 47A2♦ signal is the coin transducer which mounts to a 20A chute and uses piezoelectric sensors to detect the passage of nickels, dimes, and quarters in their appropriate channels. Voltage signals from the signal serve as inputs to the 32A chassis. This chassis totalizes to initial rate and controls coin signaling and set calling functions. The chassis circuit also includes an active network for speech equalization, the ringer, and an integrated circuit coin tone oscillator.

2.13 Setting of initial rate is done by inserting one or more leads into the *negative* field (VCC-) (Fig. 5). Six leads, terminated on back side of chassis are color coded and individually plug ended. Each lead represents a specified amount. These plug-ended leads are pressed on the tubular connectors to establish an initial rate setting.

B. D-180707 Kit of Parts

2.14 The D-180707 Kit of Parts is designed to convert 1A/2A, 1C/2C, and 1E-type coin telephone sets to 1D/2D-type coin telephone sets. Bell System Standard Dial-Tone-First line must be provided at time of conversion.



NOTES:

1. ALL DIMENSIONS SHOWN ARE IN INCHES.
2. THE SWITCHHOOK AND HANDSET EXTEND $2 - 3/4$ INCHES IN FRONT OF THE FACEPLATE.

Fig. 3—Rear View of Panel Set Showing Dimensions

◆ TABLE B ◆

COMPONENTS AND COLOR SELECTION

COIN TEL SET	COIN COVER UNIT	COIN DIAL UNIT*	DIAL†	NUMBER PLATE ASSY	INFOR- MATION PLATE	HANDSET (NOTE)
1D1-03 (Black)	70A3-03	60A3-44	8W (MD) or 8WA	818418527	840156327	G3AH, G3AK, G3AHF, or G3AKF
1D1-44 (Chrome)	70A3-44					
1D1-51 (Moss Green)	70A3-51					
1D2-03 (Black)	71A3-03	61A3-44	70A (MD) or 70B			
1D2-44 (Chrome)	71A3-44					
1D2-51 (Moss Green)	71A3-51					
2D1-67 (Brushed Stainless)		60A3-44	8W (MD) or 8WA	818720526		
2D1-84 (Bronze)				818720039		
2D2-67 (Brushed Stainless)		61A3-44	70A (MD) or 70B			
2D2-84 (Bronze)						

Note: A G13D amplified handset can be used with a 1D/2D coin telephone set. Refer to Section 501-211-102 for complete information.

* These coin cover unit and coin dial unit codes are ordering information to obtain the unit, wired, tested, and equipped for the correct mode of operation. Since the coin-first and dial-tone-first coin cover units and coin dial units shown in Table C of Section 506-410-400 may be field converted from one type to another, maintenance, and installation should be based on the first three (3) characters of the code only. It is important therefore to ensure that the unit being used is wired properly and that the coin cover unit has the proper information plate and instruction cards for the type of service with which it is being used. All rotary coin cover units are equipped with 8W (MD) or 8WA dials and all TOUCH-TONE coin cover units are equipped with 70A (MD) or 70B dials.

† 70A (MD) dials manufactured before May, 1977 do not meet the same manufacturing electrical requirements as the D-type set. Upon conversion to D-type sets or during coin cover unit or coin dial unit replacement check the date of the dial on the dial front face-plate. Do not use a pre-May, 1977 70A dial unless the later vintage is not readily available.

◆ TABLE B (Contd) ◆

COMPONENTS AND COLOR SELECTION

CHUTE	COIN CHASSIS	COIN RELAY AND HOPPER ASSY	RETURN CHUTE ASSY	COIN RETURN ASSY	COIN RECEPTACLE	CASH COMPT DOOR
20A47A (MD) or 20A47A2 Consists of a 20A Chute and a 47A (MD) or 47A2 Signal	32A	1AA Consists of a 1A Coin Relay and 811557172 Coin Hopper Assy	811557304	812165462	1B	
						5A-67
				840152219	1D	5A-84
				812165462		5A-67
				840152219		5A-84

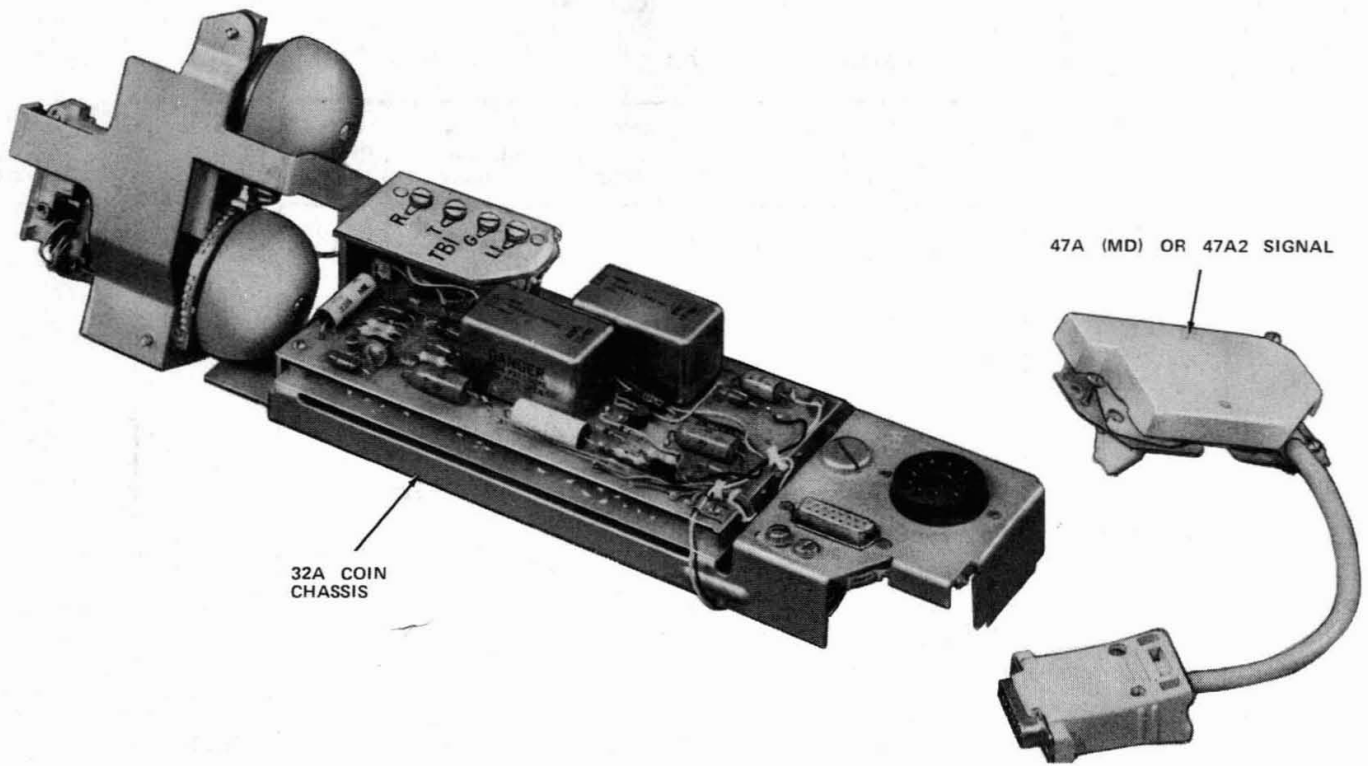


Fig. 4—D-180707 Kit of Parts

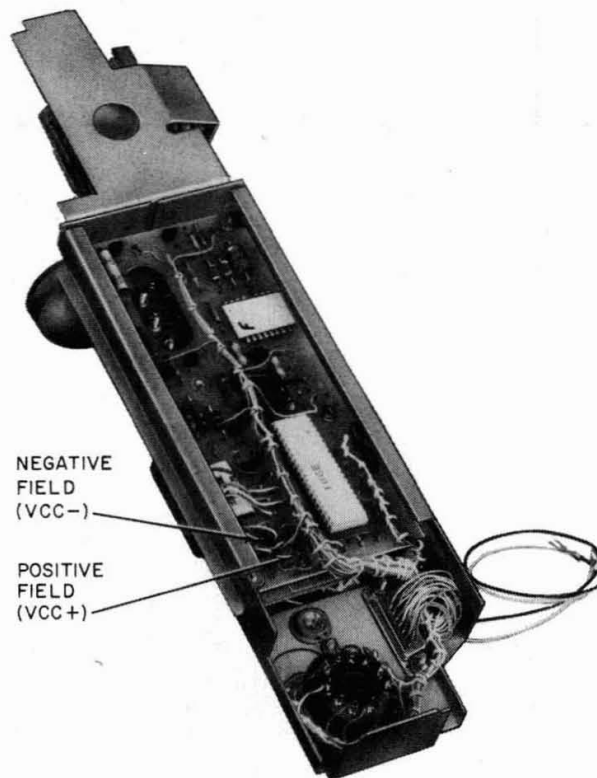


Fig. 5—32A Coin Chassis (Rear View)

TABLE C

ASSOCIATED APPARATUS
(Ordered Separately)

COIN TEL SET	CASH COMPT DOOR	COIN RECEP- TACLE	COIN RECEP- TACLE COVER	CASH COMPT LOCK	COVER UNIT ASSY OR DOOR AND FACEPLATE ASSY LOCK	ALARM SWITCH
1D-Type	2A-03 or 2B-03 (Black)	1C-Type	1E	30-Type	29A	1A Switch Kit and 257A Switch
	2A-44 or 2B-44 (Chrome)					
	2A-51 or 2B-51 (Moss Green)					
2D-Type	*					257A Switch

* The cash compartment door is furnished with all 2D-type phones.

TABLE D

INITIAL RATE LEADS

LEAD COLOR	LEAD MONETARY VALUE	OTHER END OF LEAD CONNECTED TO PIN
BR	5 Cents	36
R	10 Cents	35
Y	20 Cents	33
S	40 Cents	32
W-BL	80 Cents	30
W-BR	1 Dollar — 60 Cents	29